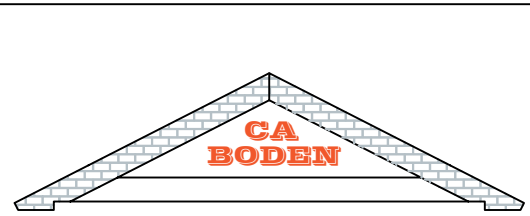
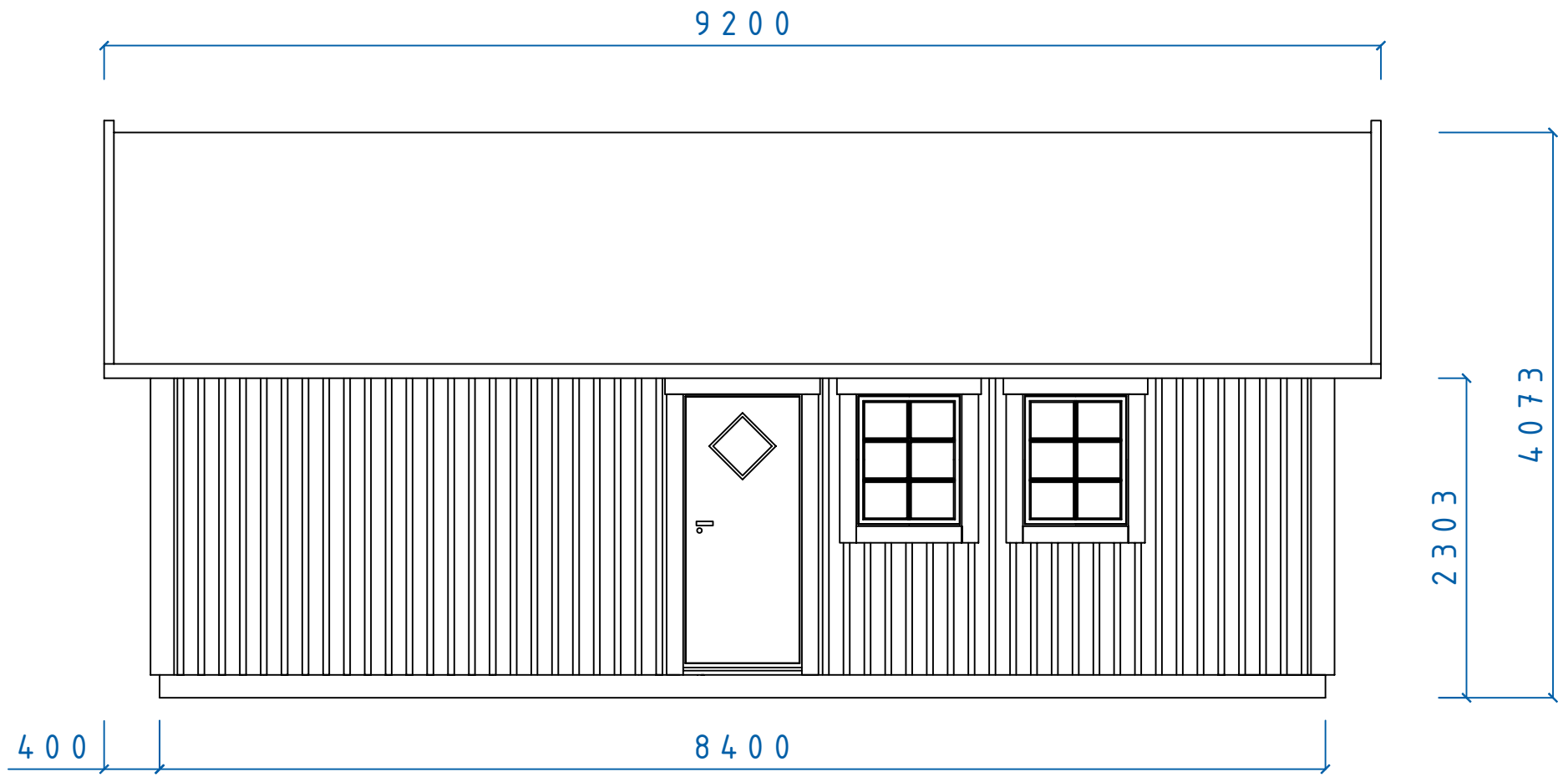


REVISIONS				
ZONE	REV	DESCRIPTION	DATE	APPROVED

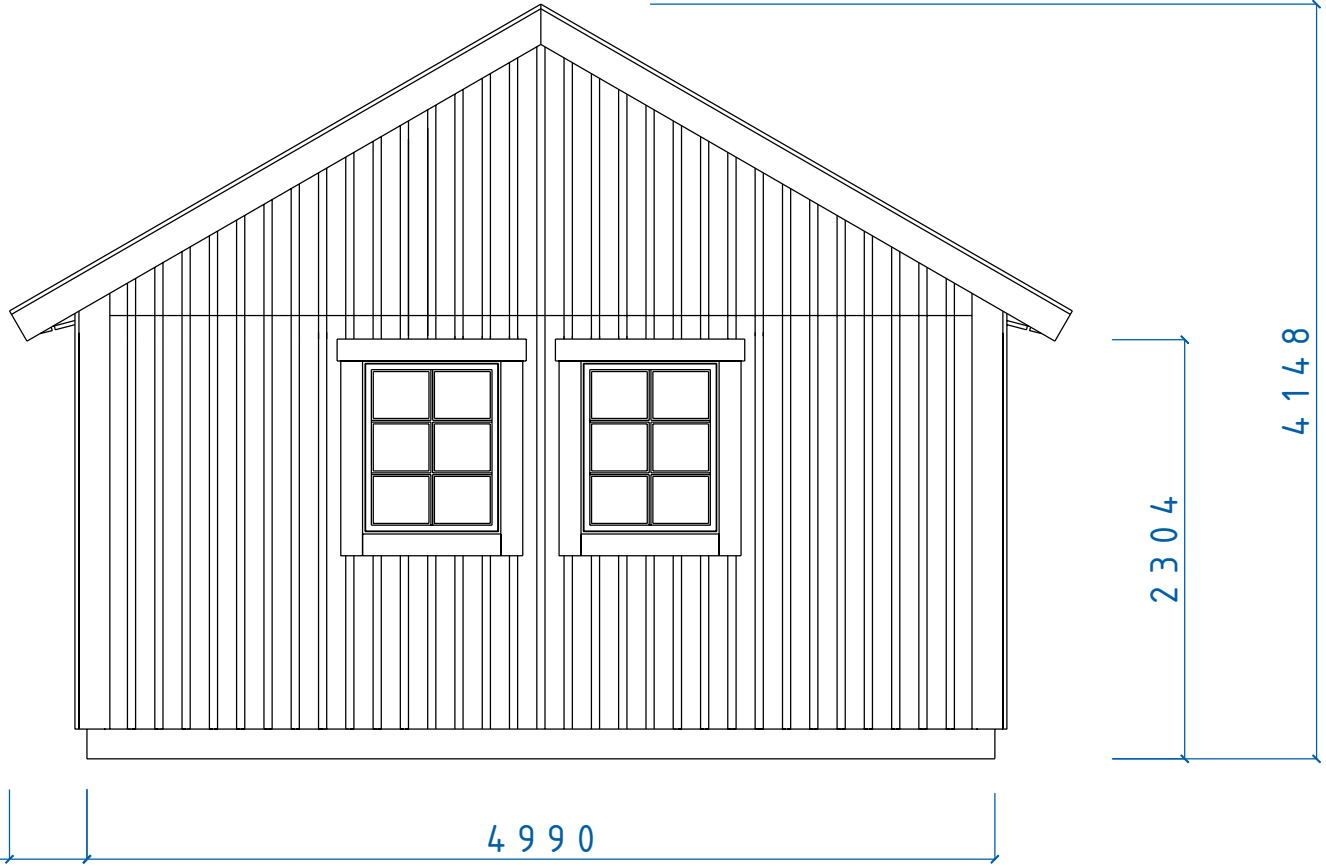


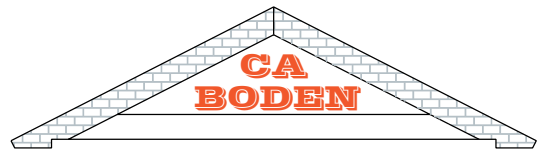
MEGA SERIE

BJÖRKBACKA FASAD
F 8x10 D 9x20 TAK 30°

SIZE	DATE	DWG NO.	REV
	060218	05100581	

REVISIONS				
ZONE	REV	DESCRIPTION	DATE	APPROVED



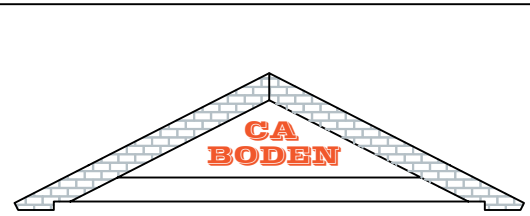
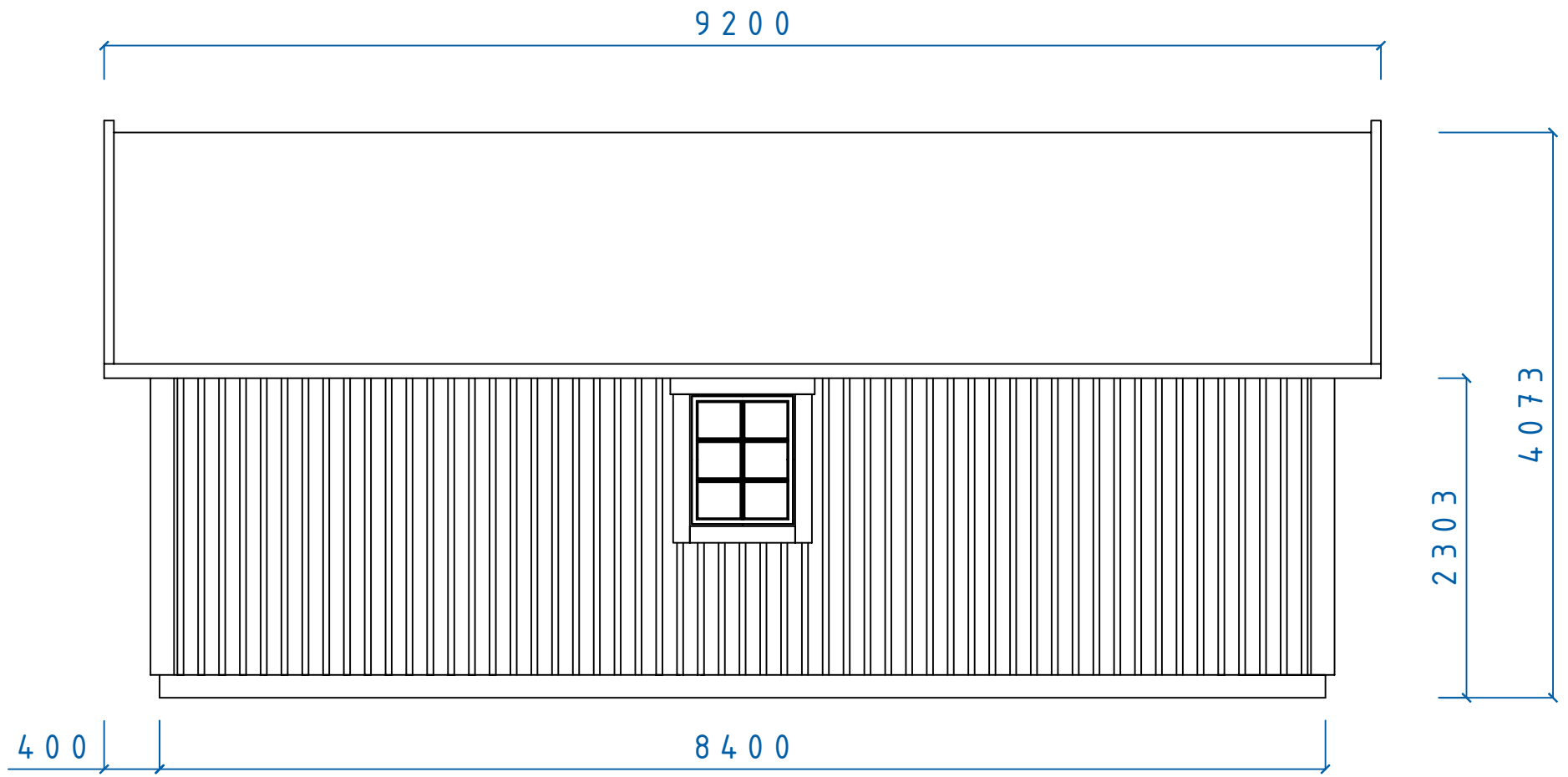
		MEGA SERIE		
		FASAD GAVEL FÖNSTER 8x10		
SIZE	DATE	DWG NO.	REV	
	060216	05100569		
SCALE	Designed by: SMÄLÄNNING		SHEET	

Fiskaregatan 11
871 39 Härnösand

www.cabodense
0611-21790

Christer Arnborg
Tete: 0705-984050

REVISIONS				
ZONE	REV	DESCRIPTION	DATE	APPROVED

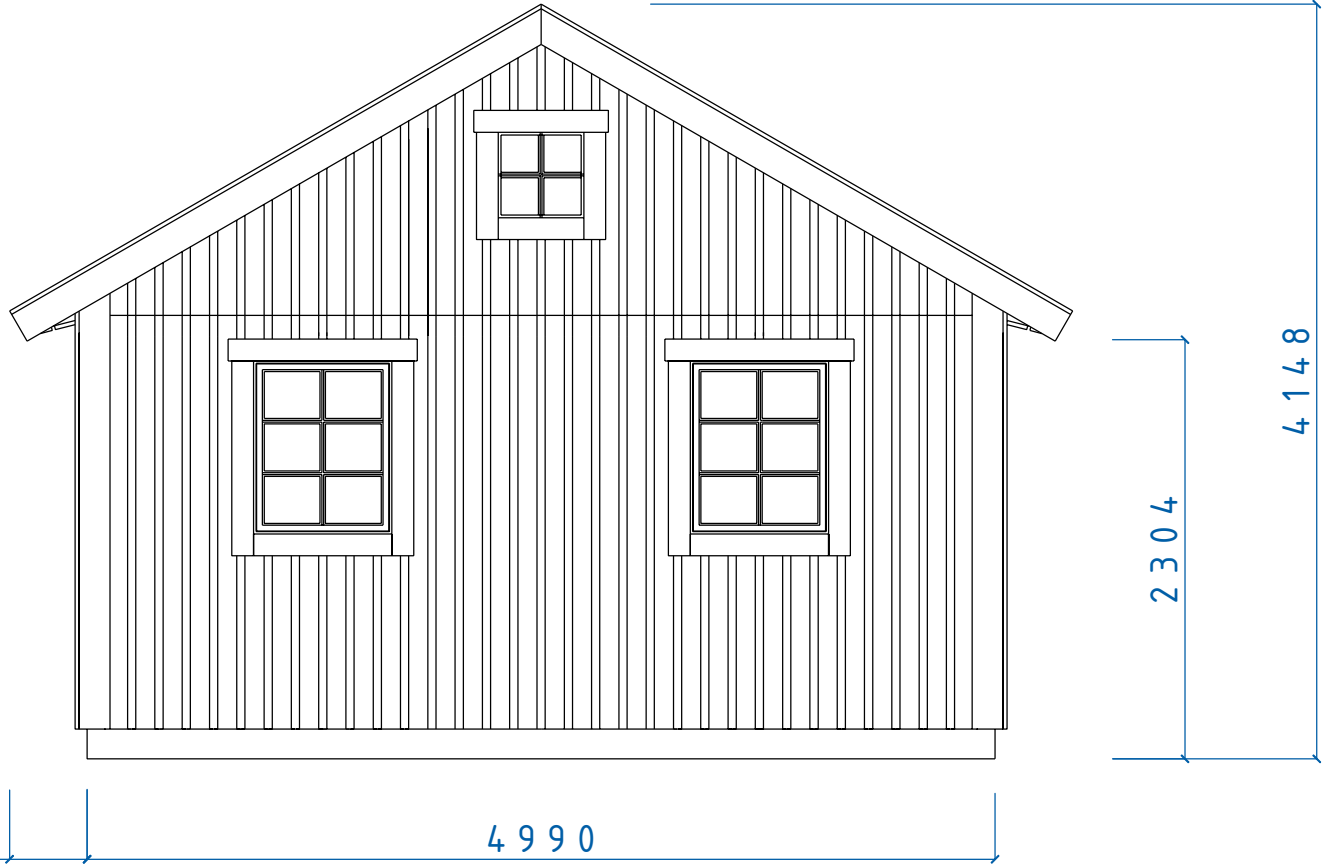


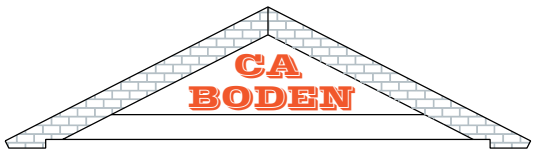
MEGA SERIE

BJÖRKBACKA FASAD
F 8x10 TAK 30°

SIZE	DATE	DWG NO.	REV
	060218	05100577	

REVISIONS				
ZONE	REV	DESCRIPTION	DATE	APPROVED



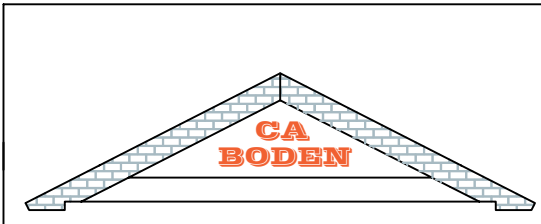
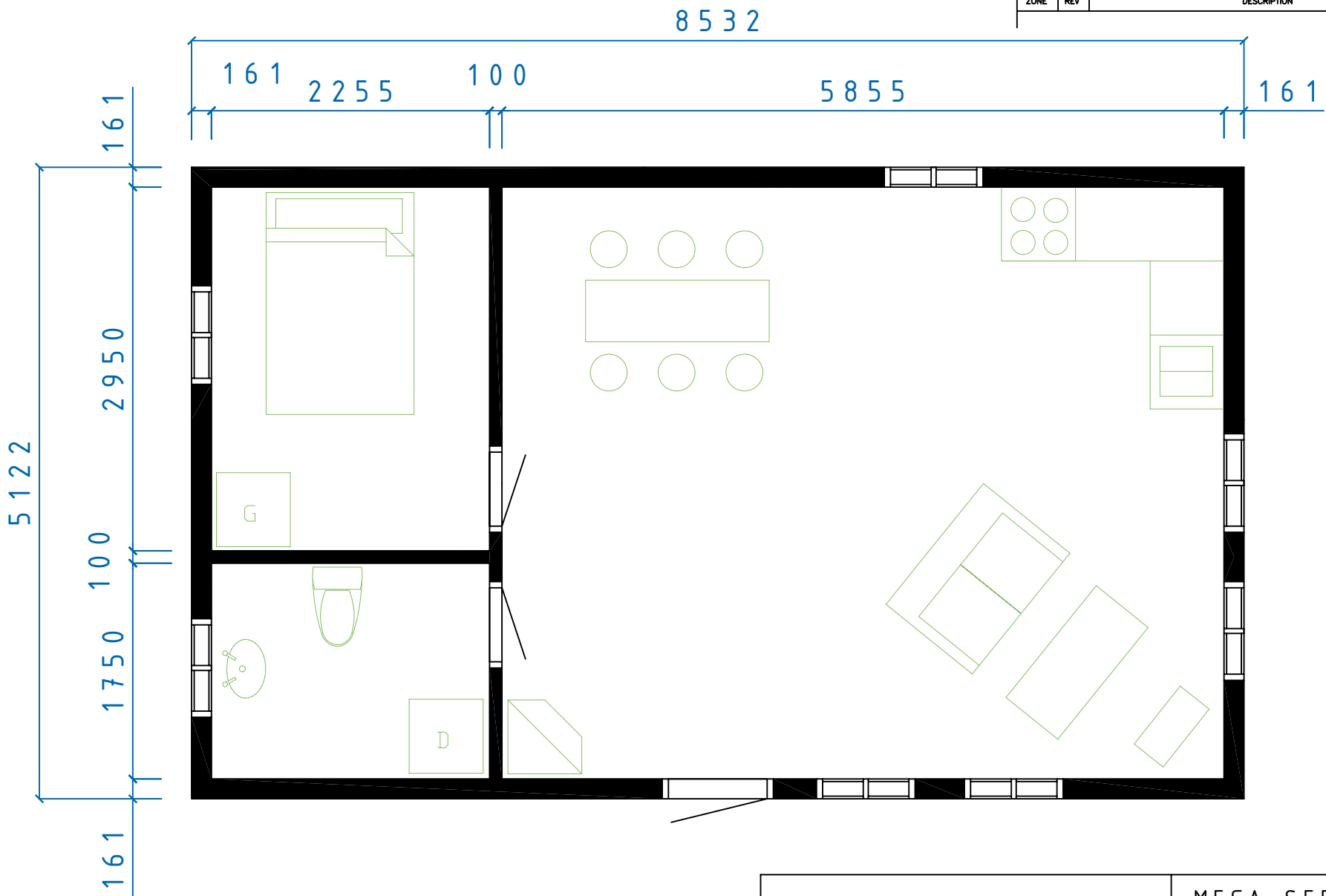
		MEGA SERIE		
		FASAD GAVEL FÖNSTER 8x10 5x5		
SIZE	DATE	DWG NO.	REV	
	060517	05100567		
SCALE	Designed by: SMÄLÄNNING		SHEET	

Fiskaregatan 11
871 39 Härnösand

www.cabodense
0611-21790

Christer Arnborg
Tele: 0705-984050

REVISIONS				
ZONE	REV	DESCRIPTION	DATE	APPROVED



MEGA SERIE

BJÖRKBACKA
PLAN

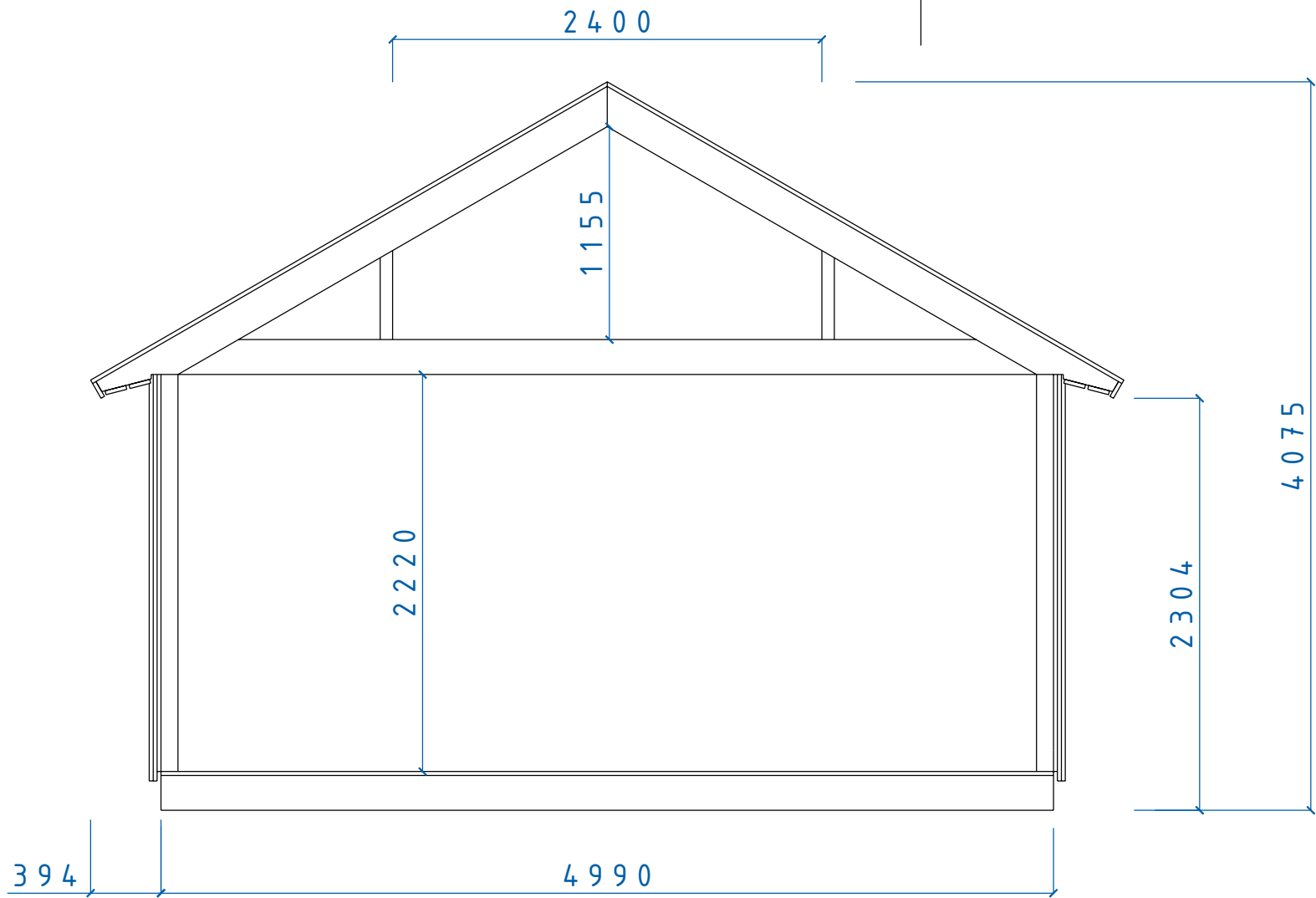
SIZE	DATE	DWG NO.	REV
	060218	05100582	

Fiskaregatan 11
871 39 Hårnäsund

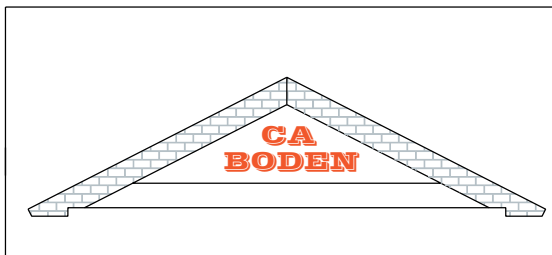
www.caboden.se
0611-21790

Christer Arriberg
Tele: 0705-984050

SCALE Designed by: SMALÄNNING SHEET



REVISIONS				
ZONE	REV	DESCRIPTION	DATE	APPROVED



MEGA SERIE

SEKTION MEGA SERIEN
Tak 30° Sovloft

SIZE	DATE	DWG NO.	REV
	060204	05100451	