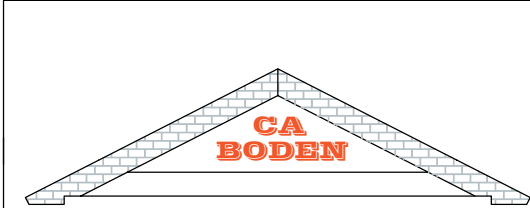
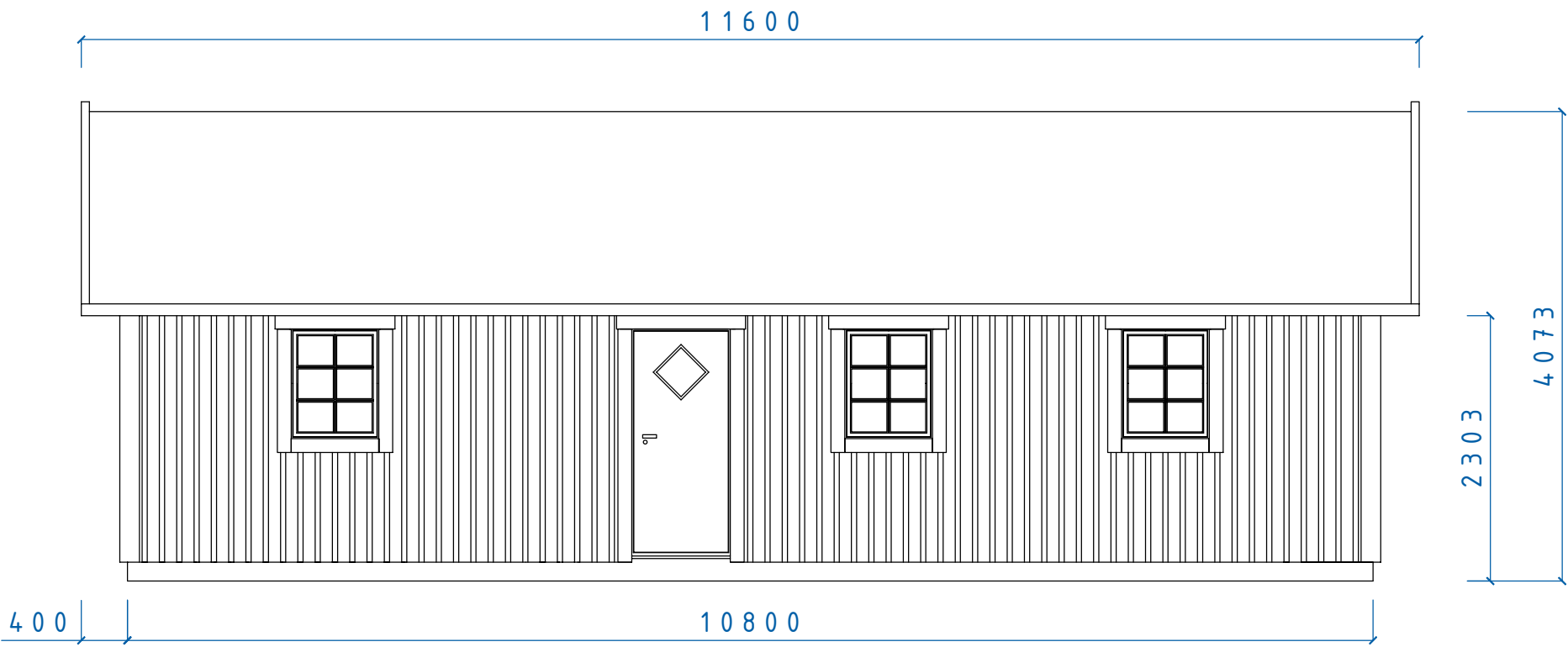


REVISIONS				
ZONE	REV	DESCRIPTION	DATE	APPROVED



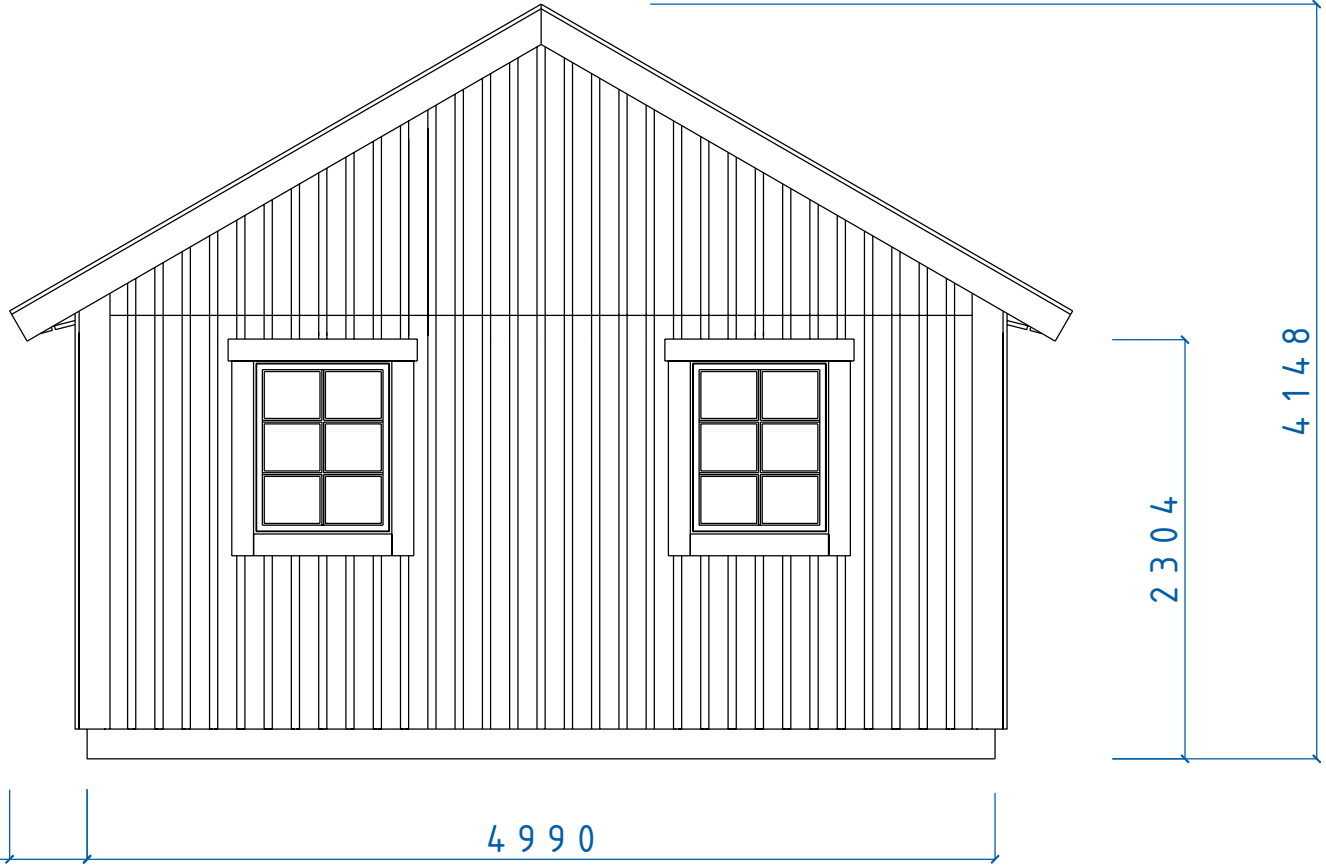
MEGA SERIE

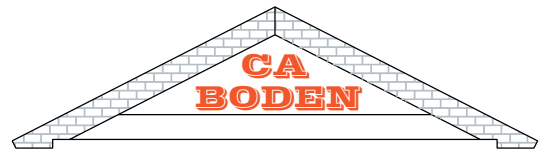
EMMALUND FASAD

F 8x10 D 9x20 TAK 30°

SIZE	DATE	DWG NO.	REV
	060220	05100595	

REVISIONS				
ZONE	REV	DESCRIPTION	DATE	APPROVED



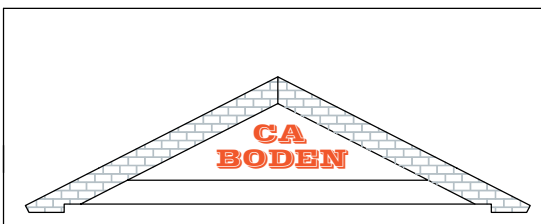
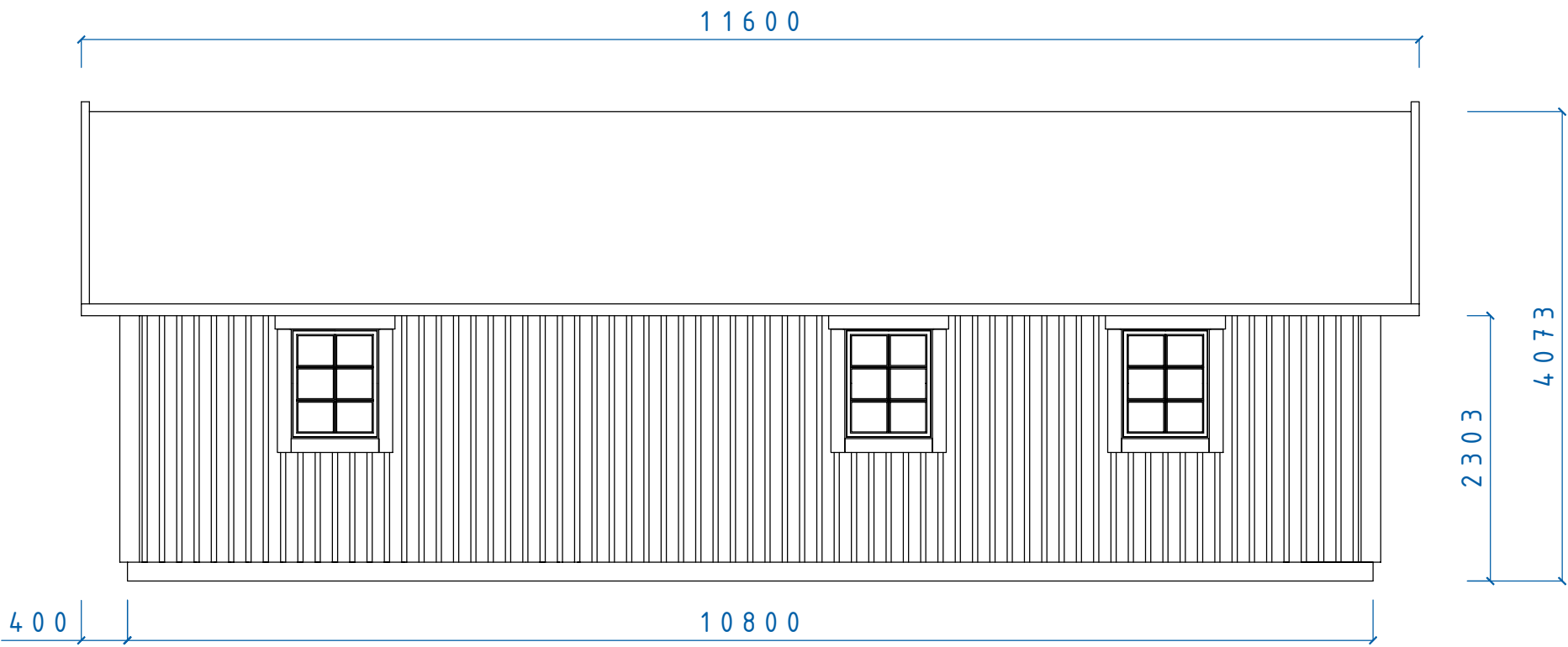
		MEGA SERIE		
		FASAD GAVEL FÖNSTER 8x10		
SIZE	DATE	DWG NO.	REV	
	060516	05100558		
SCALE	Designed by: SMÄLÄNNING		SHEET	

Fiskaregatan 11
871 39 Härnösand

www.cabodense
0611-21790

Christer Arnborg
Tele: 0705-984050

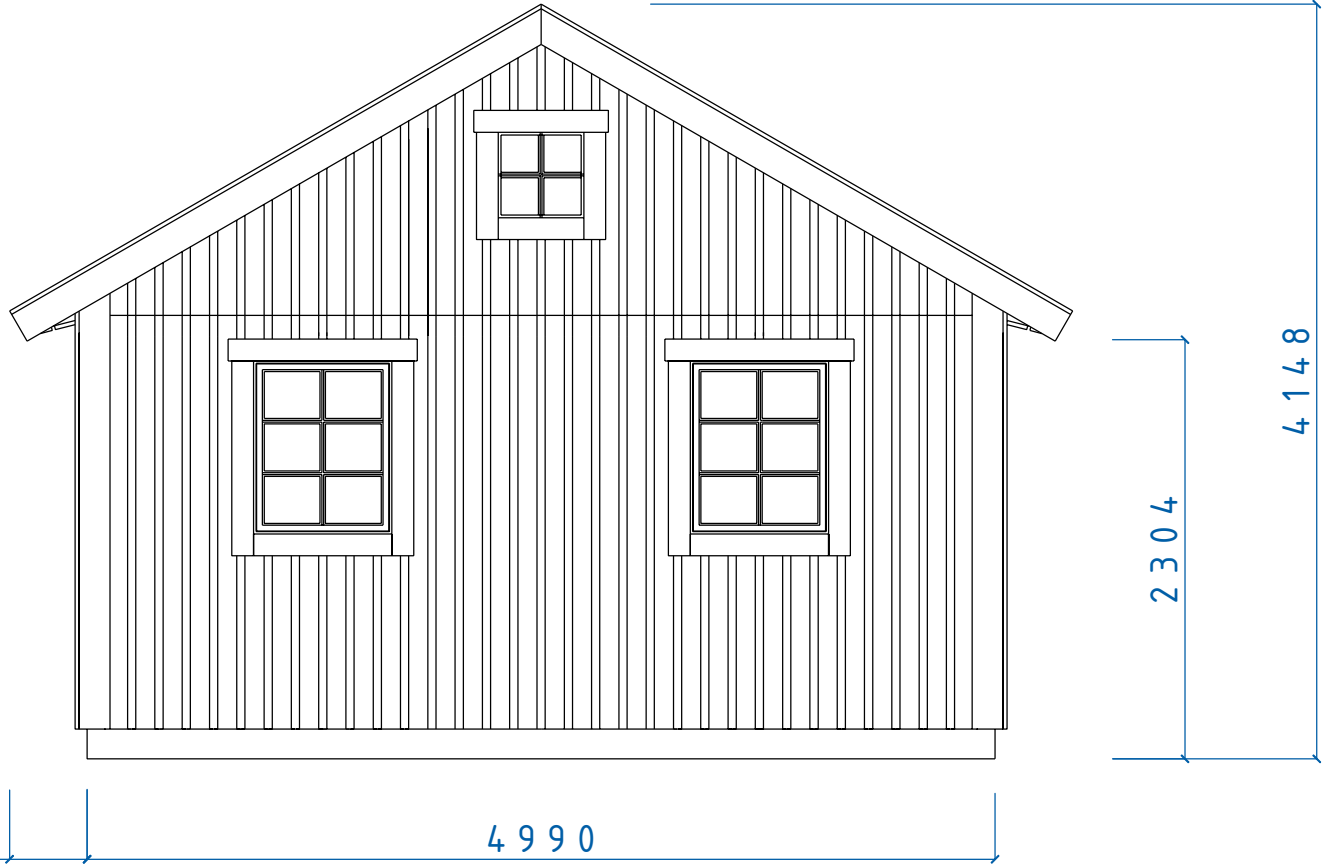
REVISIONS				
ZONE	REV	DESCRIPTION	DATE	APPROVED

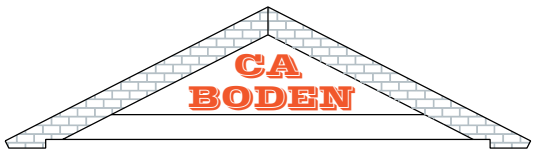


MEGA SERIE
 EMMALUND FASAD
 F 8x10 TAK 30°

SIZE	DATE	DWG NO.	REV
	060220	05100593	

REVISIONS				
ZONE	REV	DESCRIPTION	DATE	APPROVED



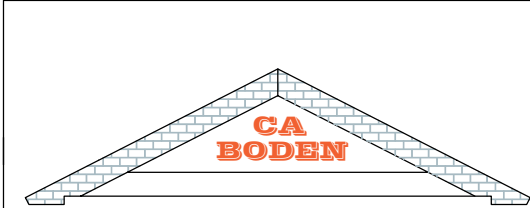
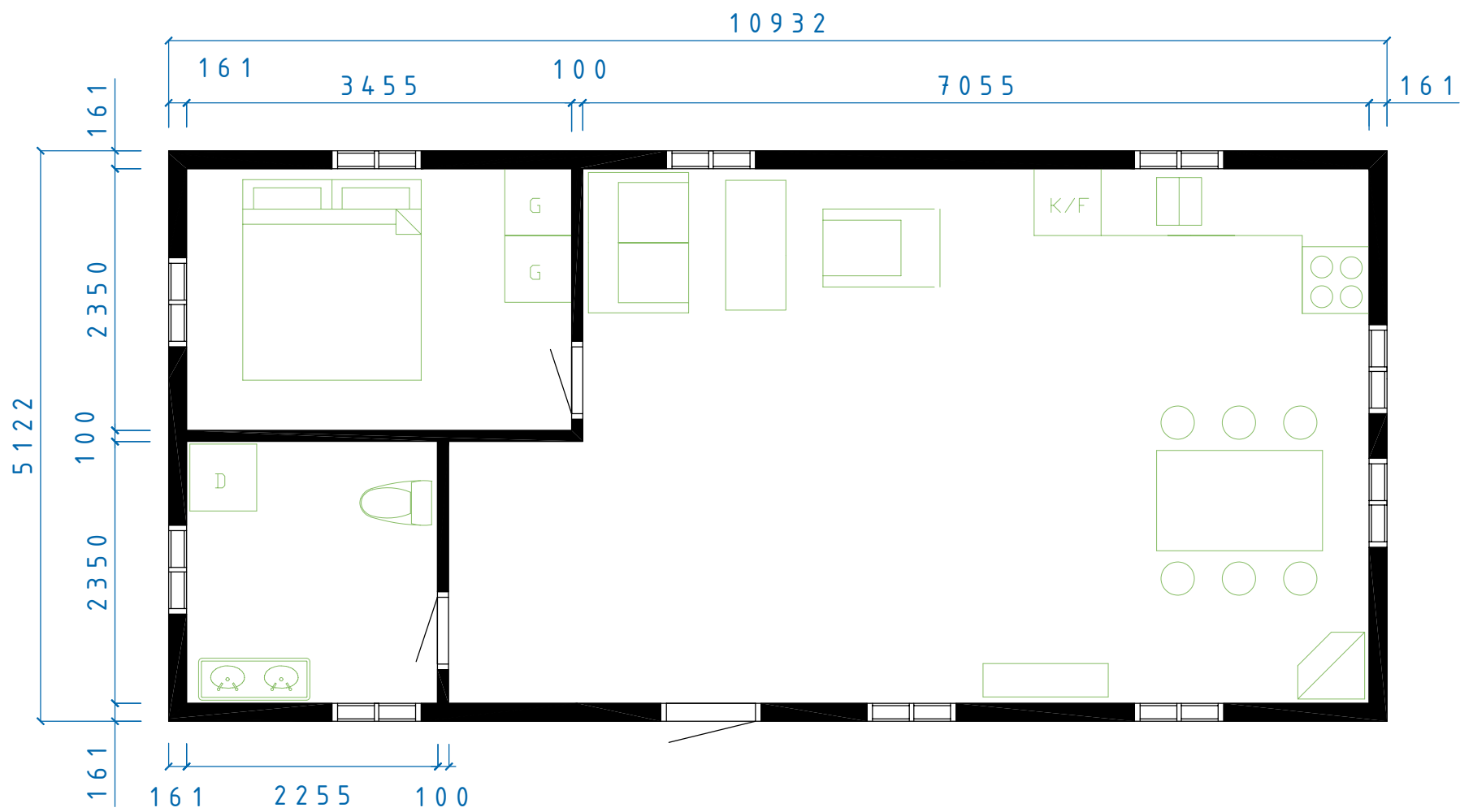
		MEGA SERIE		
		FASAD GAVEL FÖNSTER 8x10 5x5		
SIZE	DATE	DWG NO.	REV	
	060517	05100567		
SCALE	Designed by: SMÄLÄNNING		SHEET	

Fiskaregatan 11
871 39 Härnösand

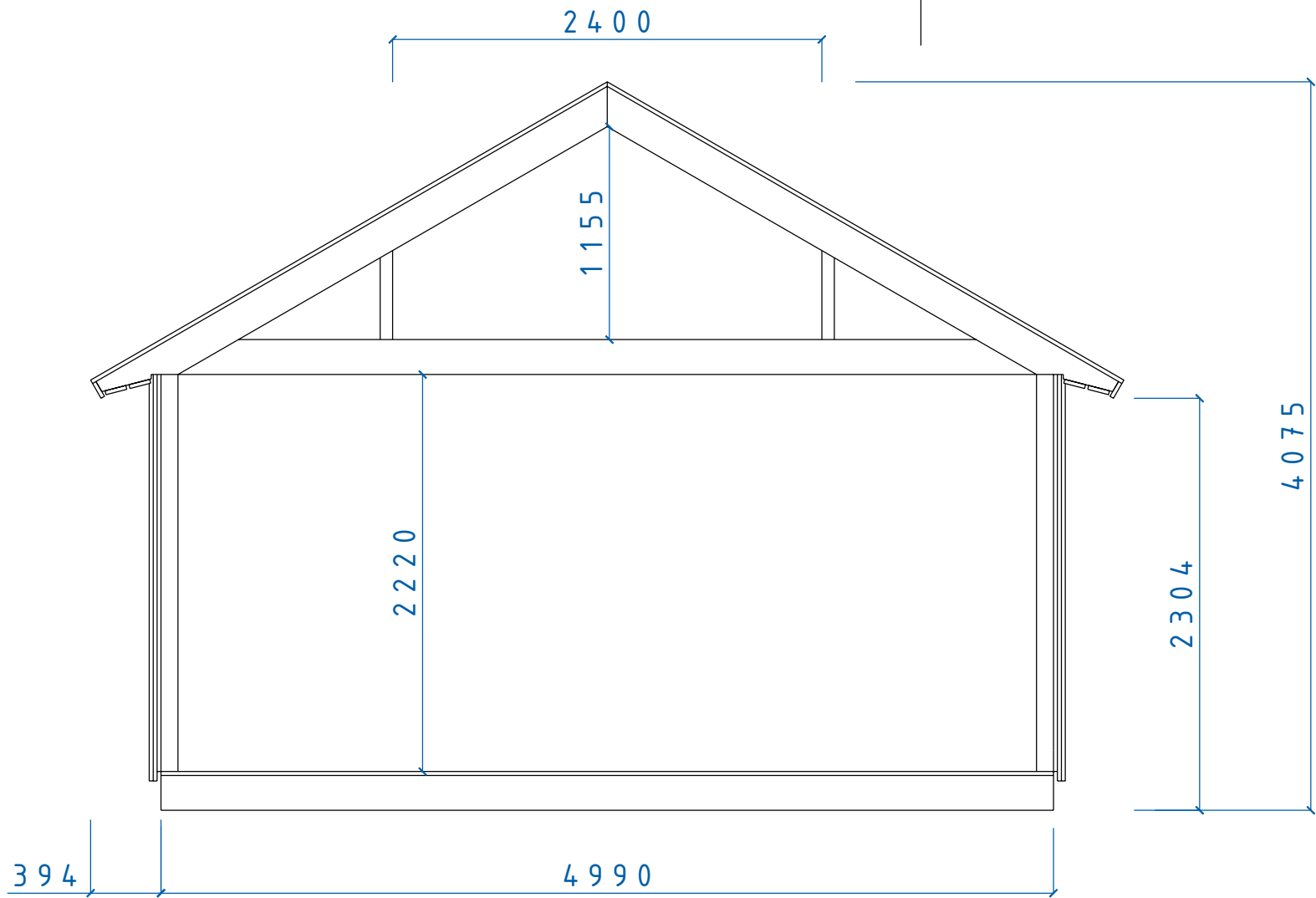
www.cabodense
0611-21790

Christer Arnborg
Tele: 0705-984050

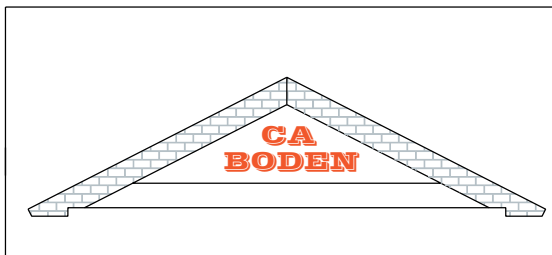
REVISIONS				
ZONE	REV	DESCRIPTION	DATE	APPROVED



MEGA SERIE			
EMMALUND PLAN			
SIZE	DATE	DWG NO.	REV
	060220	05100597	
SCALE	Designed by: SMÅLÄNNING		SHEET



REVISIONS				
ZONE	REV	DESCRIPTION	DATE	APPROVED



MEGA SERIE
 SEKTION MEGA SERIEN
 Tak 30° Sovloft

SIZE	DATE	DWG NO.	REV
	060204	05100451	