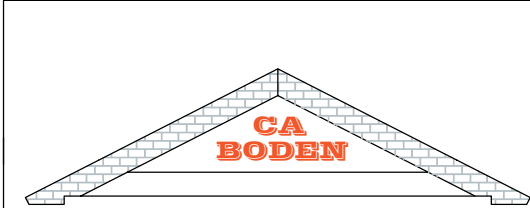
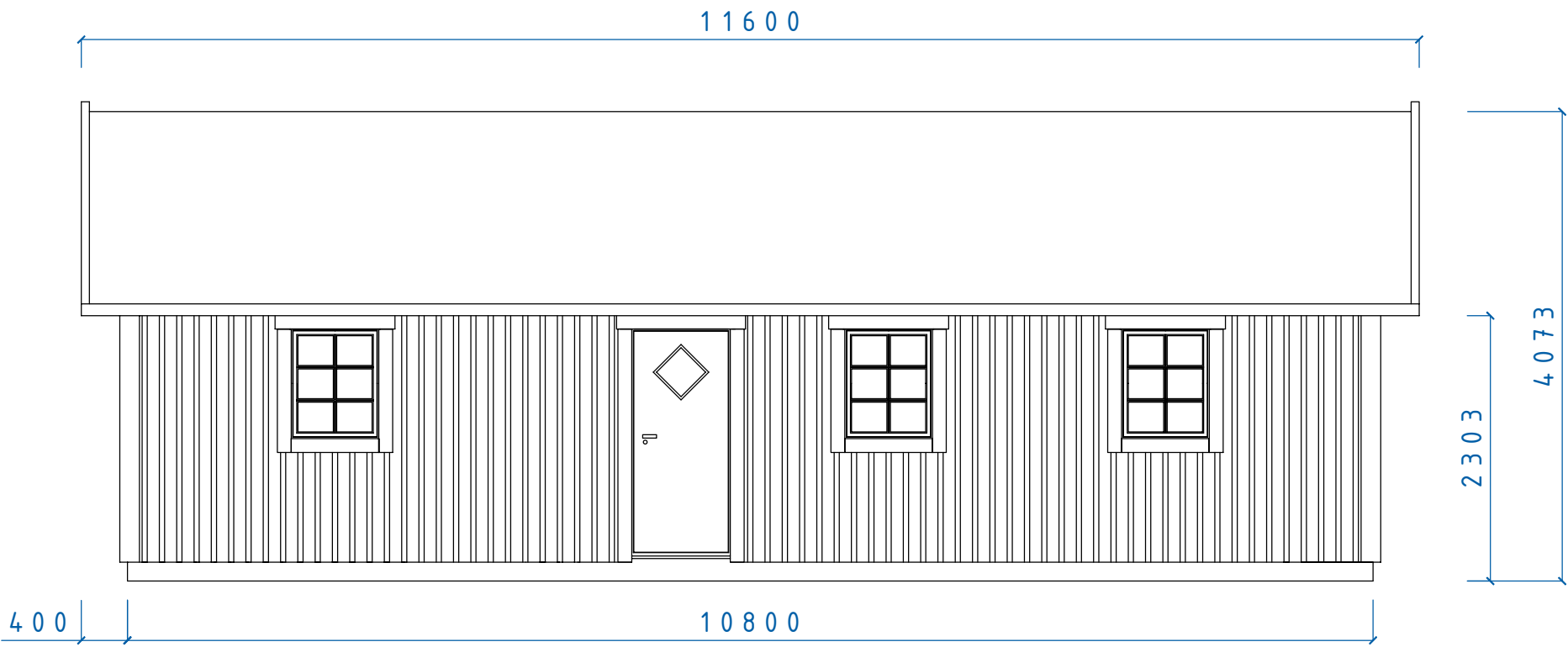


REVISIONS				
ZONE	REV	DESCRIPTION	DATE	APPROVED



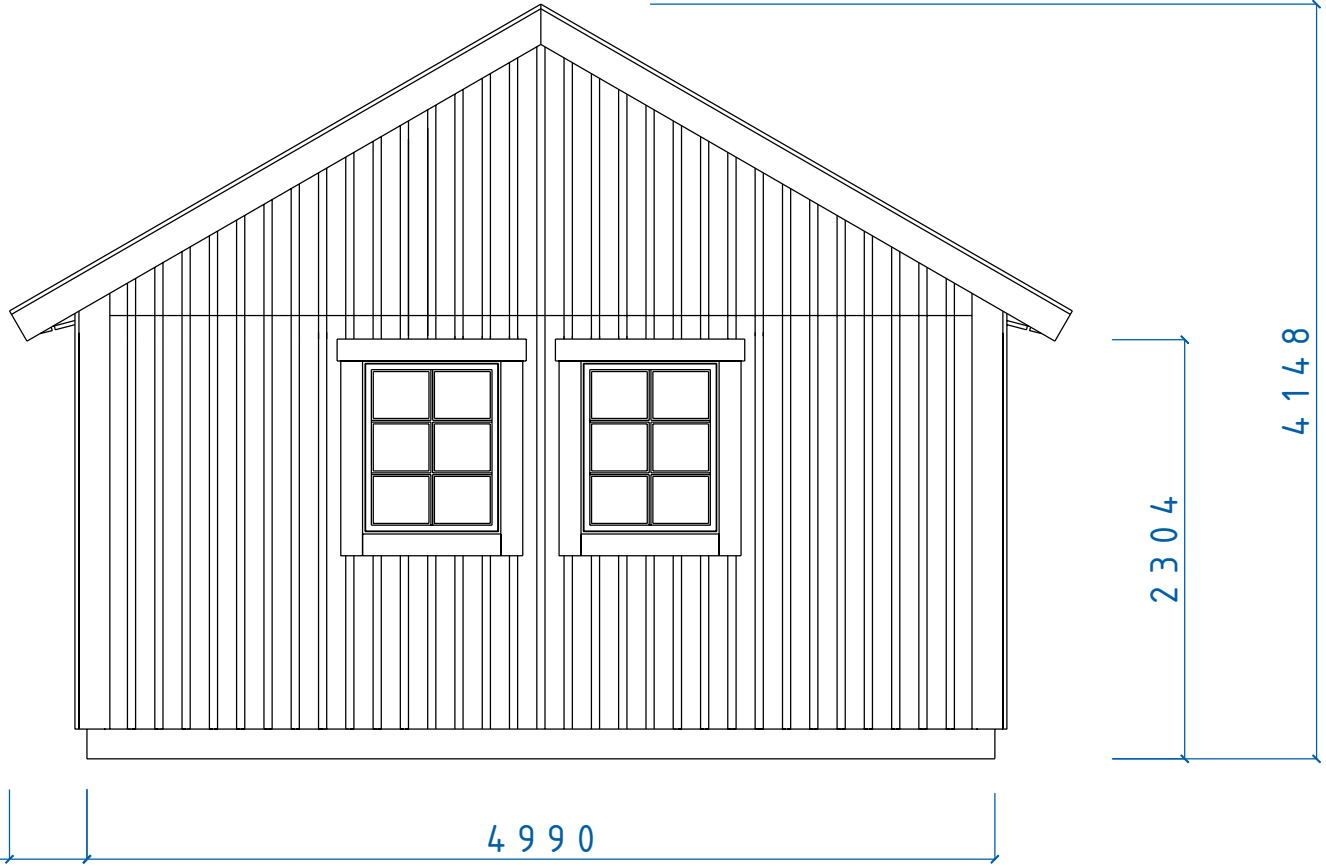
MEGA SERIE

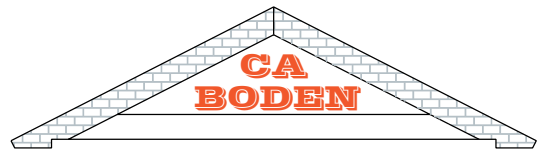
EMMALUND FASAD

F 8x10 D 9x20 TAK 30°

SIZE	DATE	DWG NO.	REV
	060220	05100595	

REVISIONS				
ZONE	REV	DESCRIPTION	DATE	APPROVED



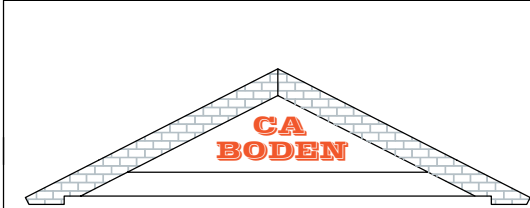
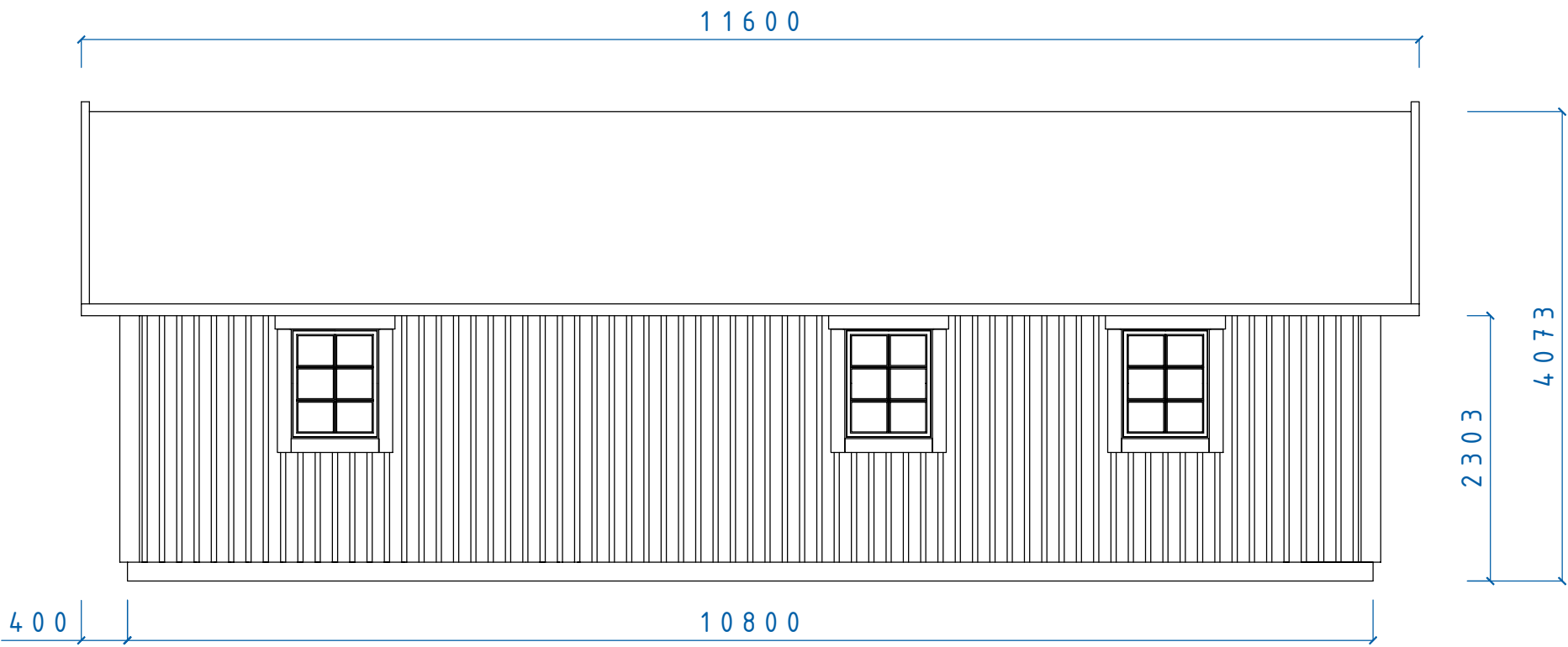
		MEGA SERIE		
		FASAD GAVEL FÖNSTER 8x10		
SIZE	DATE	DWG NO.	REV	
	060216	05100569		
SCALE	Designed by: SMÄLÄNNING		SHEET	

Fiskaregatan 11  
871 39 Härnösand

www.cabodense  
0611-21790

Christer Arnborg  
Tete: 0705-984050

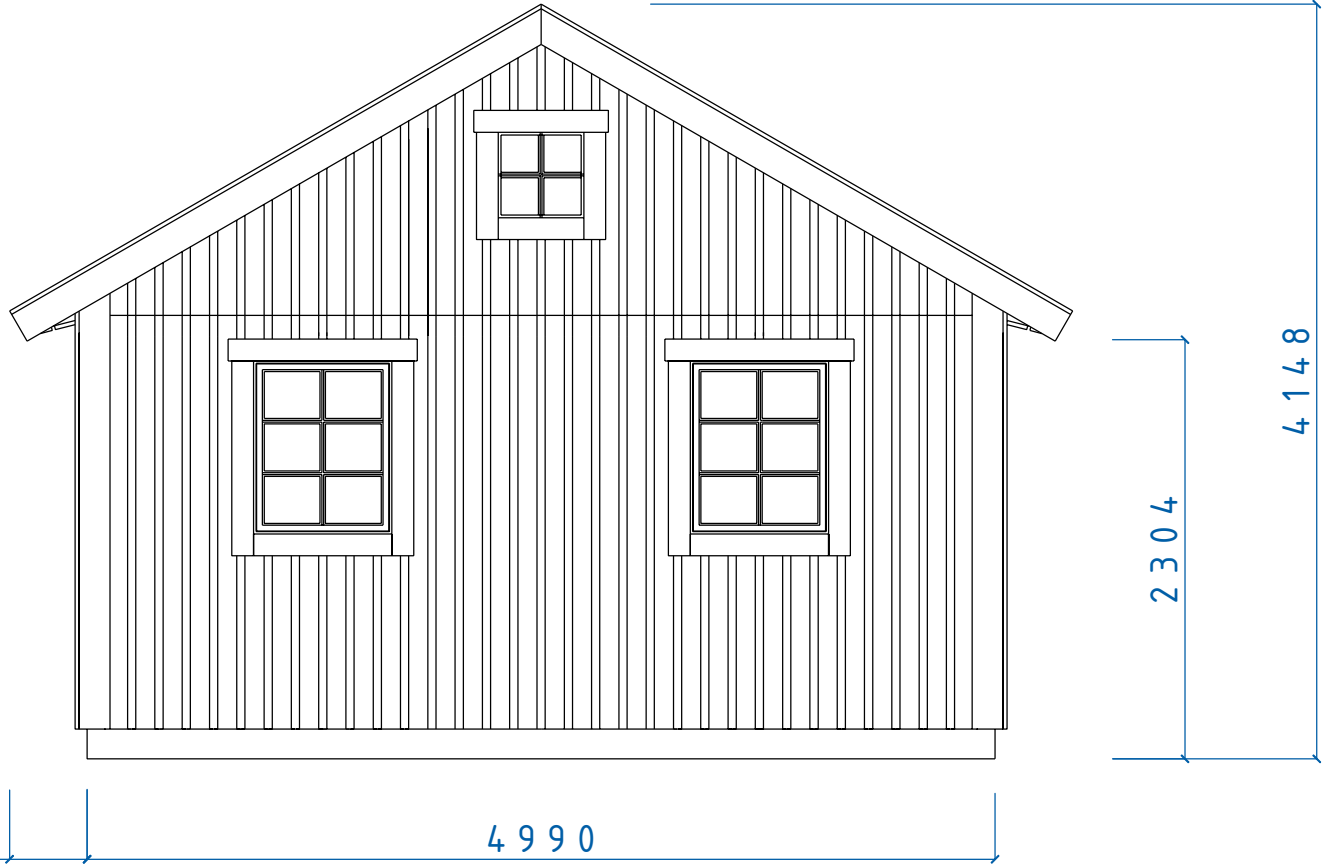
REVISIONS				
ZONE	REV	DESCRIPTION	DATE	APPROVED

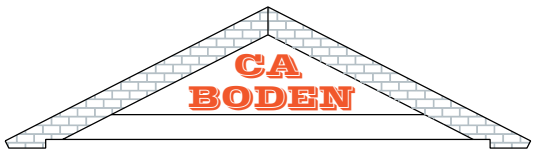


MEGA SERIE  
 EMMALUND FASAD  
 F 8x10 TAK 30°

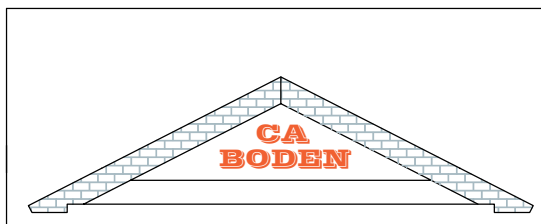
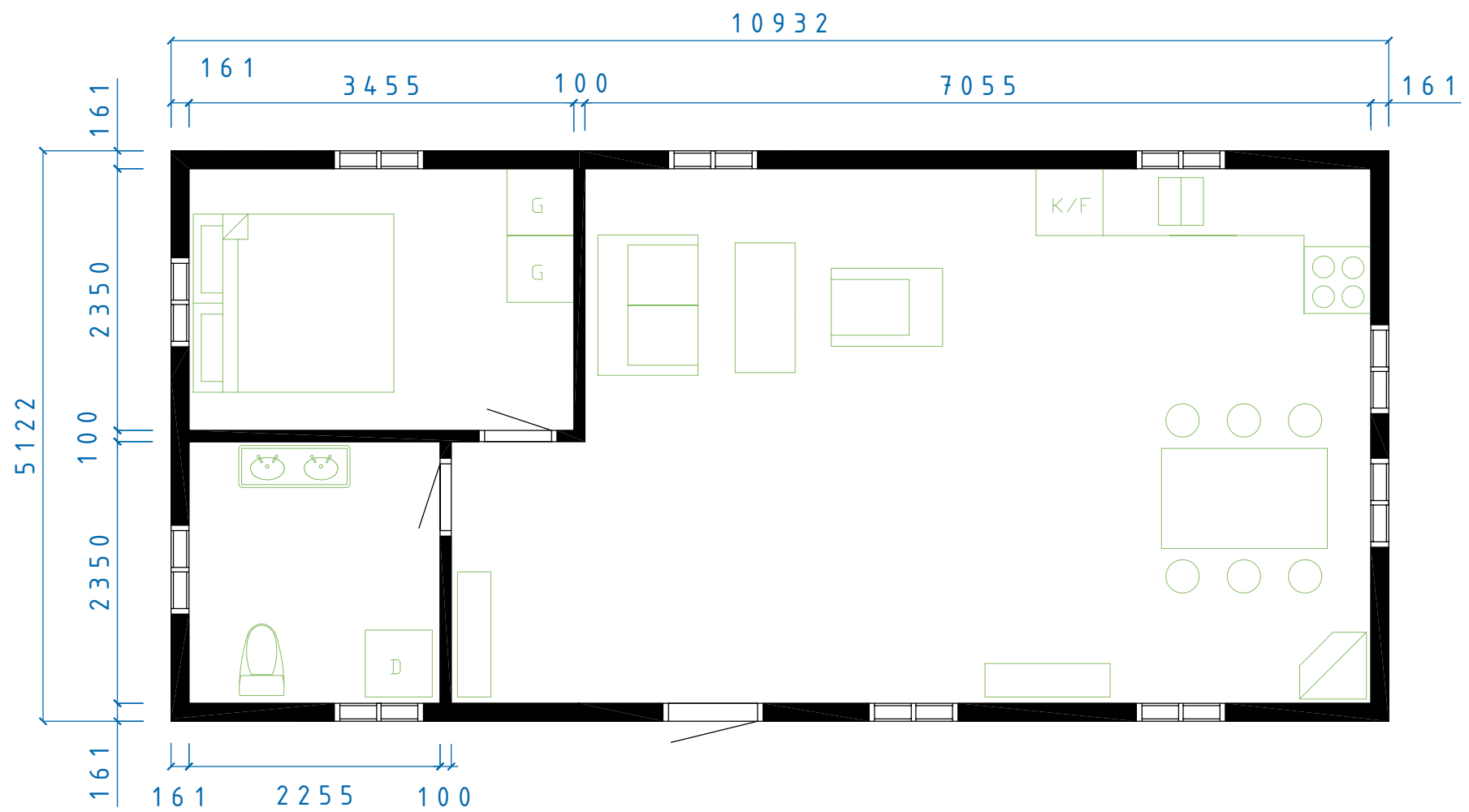
SIZE	DATE	DWG NO.	REV
	060220	05100593	

REVISIONS				
ZONE	REV	DESCRIPTION	DATE	APPROVED



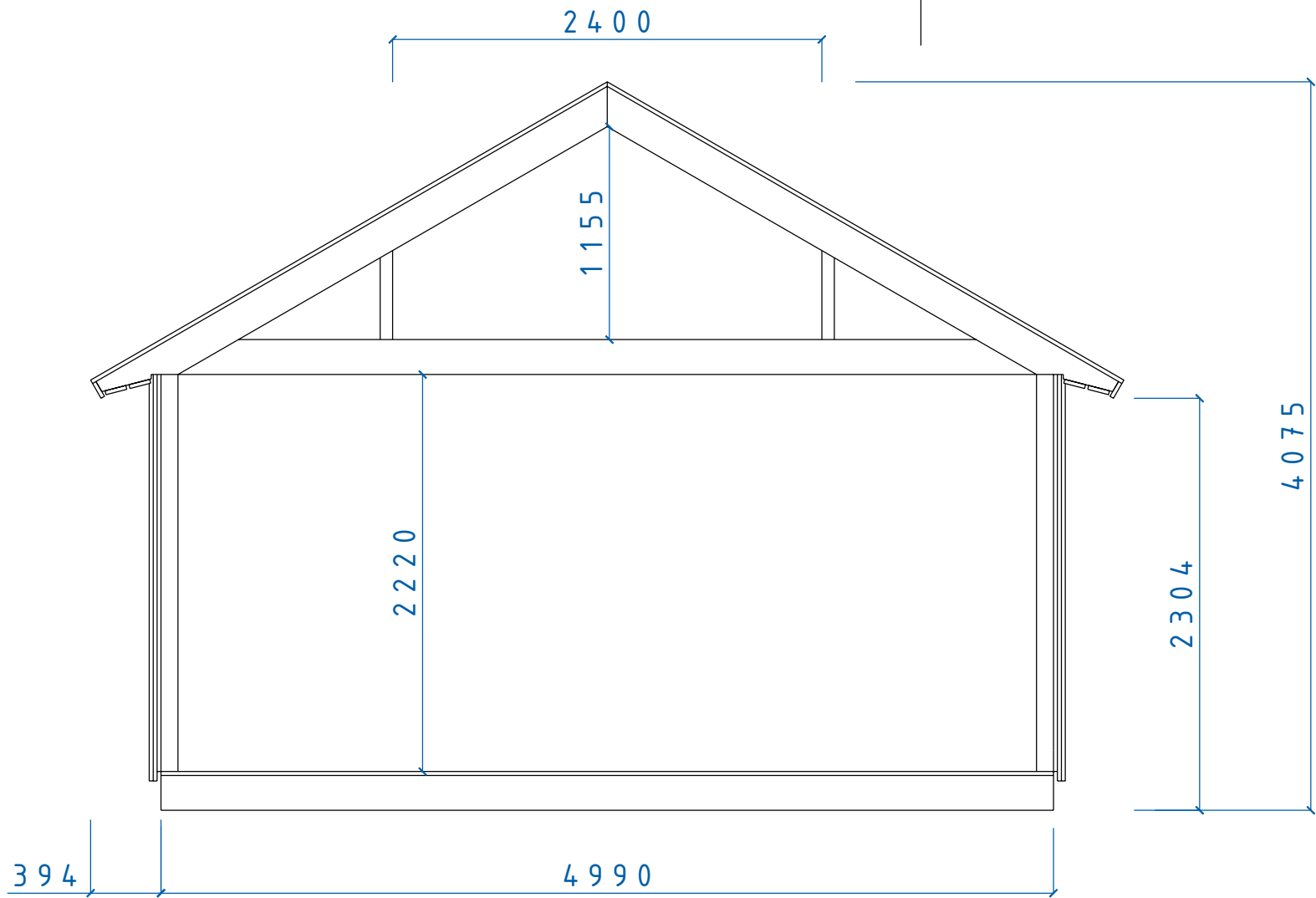
		MEGA SERIE		
		FASAD GAVEL FÖNSTER 8x10 5x5		
SIZE	DATE	DWG NO.	REV	
	060517	05100567		
SCALE	Designed by: SMÄLÄNNING		SHEET	
Fiskaregatan 11 871 39 Härnösand		www.cabodense 0611-21790		Christer Arnborg Tele: 0705-984050

REVISIONS				
ZONE	REV	DESCRIPTION	DATE	APPROVED

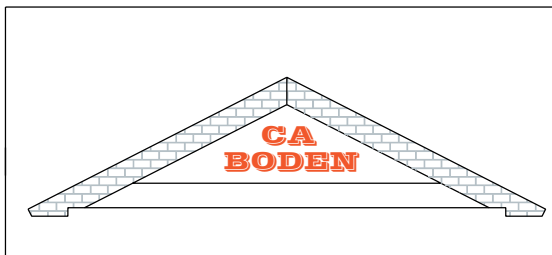


MEGA SERIE  
EMMALUND  
PLAN

SIZE	DATE	DWG NO.	REV
	060220	05100596	



REVISIONS				
ZONE	REV	DESCRIPTION	DATE	APPROVED



MEGA SERIE  
SEKTION MEGA SERIEN  
Tak 30° Sovloft

SIZE	DATE	DWG NO.	REV
	060204	05100451	