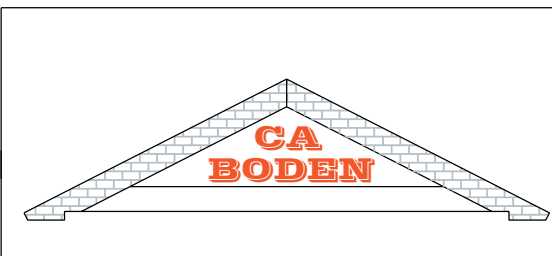
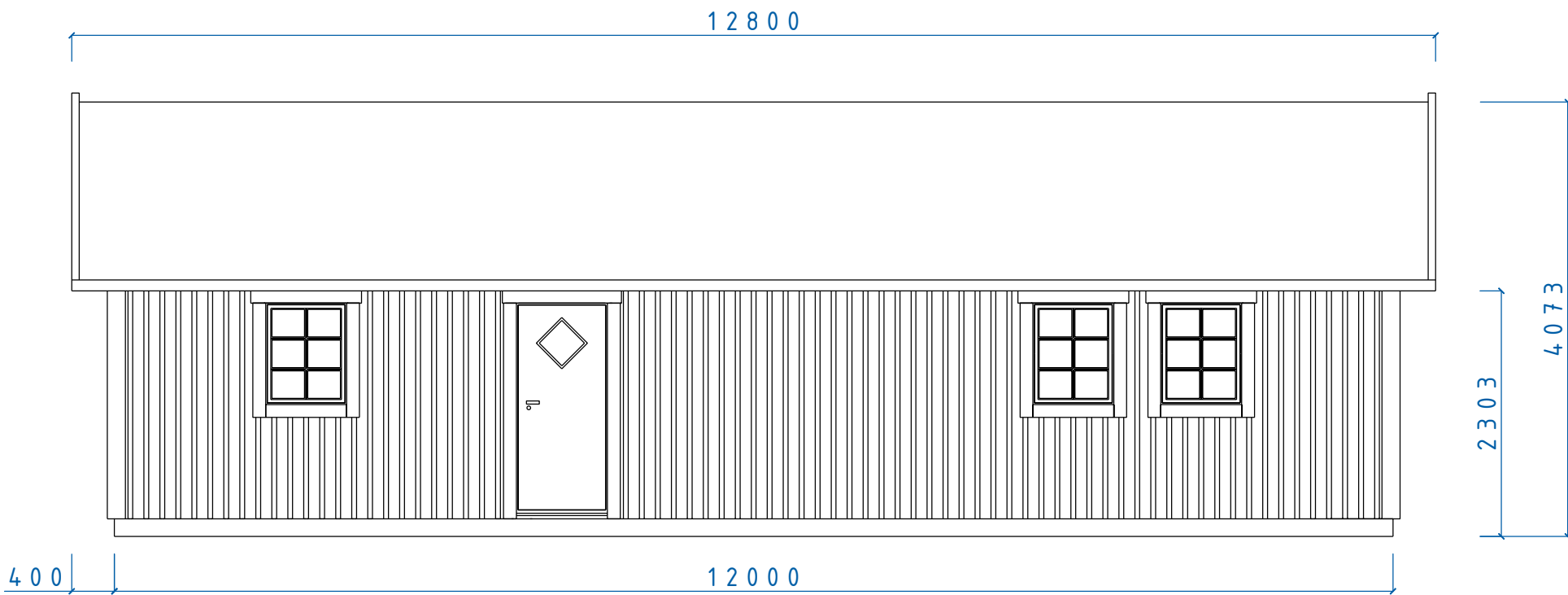


REVISIONS				
ZONE	REV	DESCRIPTION	DATE	APPROVED



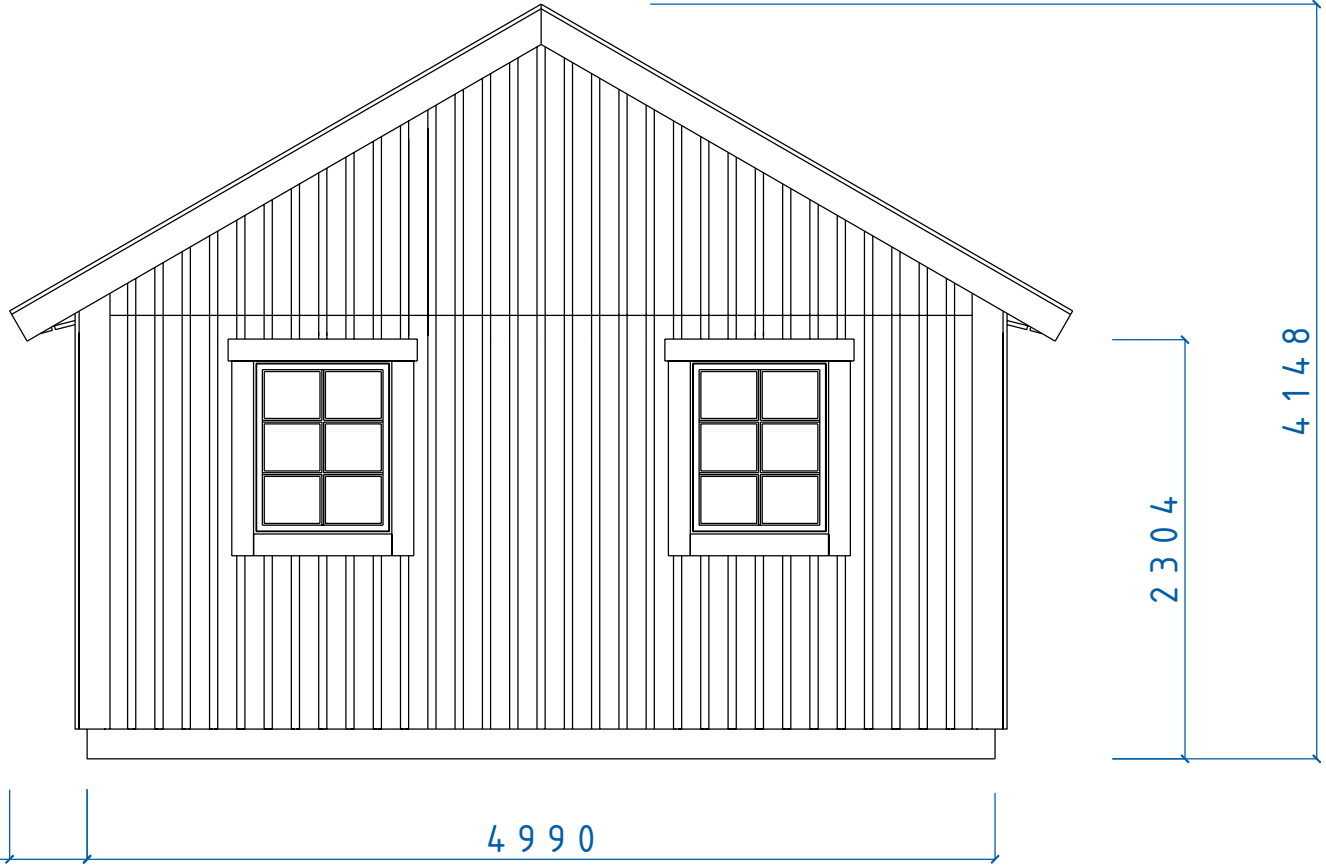
MEGA SERIE

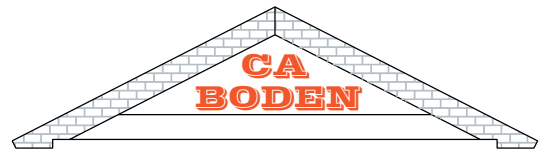
KORSBACKA FASAD

F 8x10 D 9x20 TAK 30°

SIZE	DATE	DWG NO.	REV
	060222	05100603	

REVISIONS				
ZONE	REV	DESCRIPTION	DATE	APPROVED



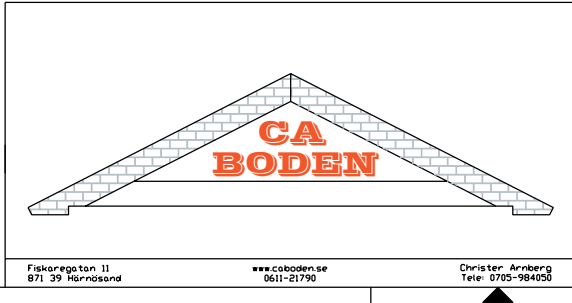
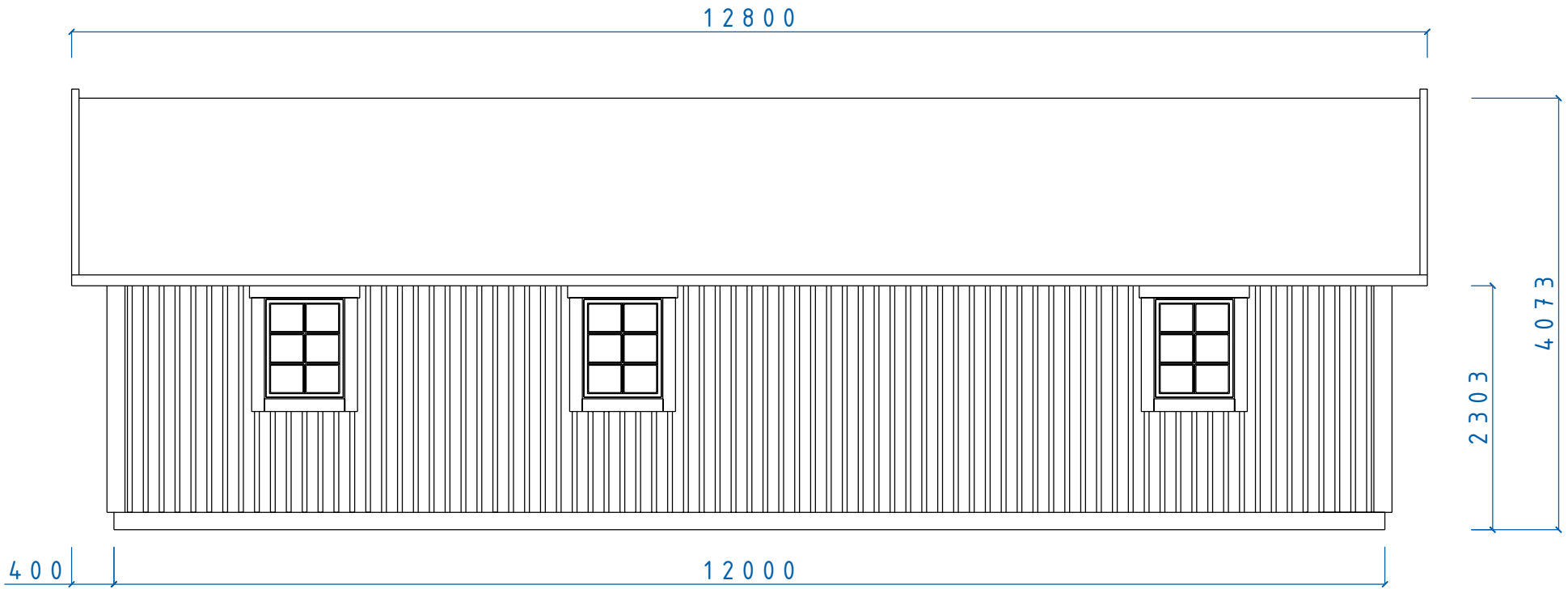
		MEGA SERIE		
		FASAD GAVEL FÖNSTER 8x10		
SIZE	DATE	DWG NO.	REV	
	060516	05100558		
SCALE	Designed by: SMÄLÄNNING		SHEET	

Fiskaregatan 11
871 39 Härnösand

www.cabodense
0611-21790

Christer Arnborg
Tele: 0705-984050

REVISIONS				
ZONE	REV	DESCRIPTION	DATE	APPROVED



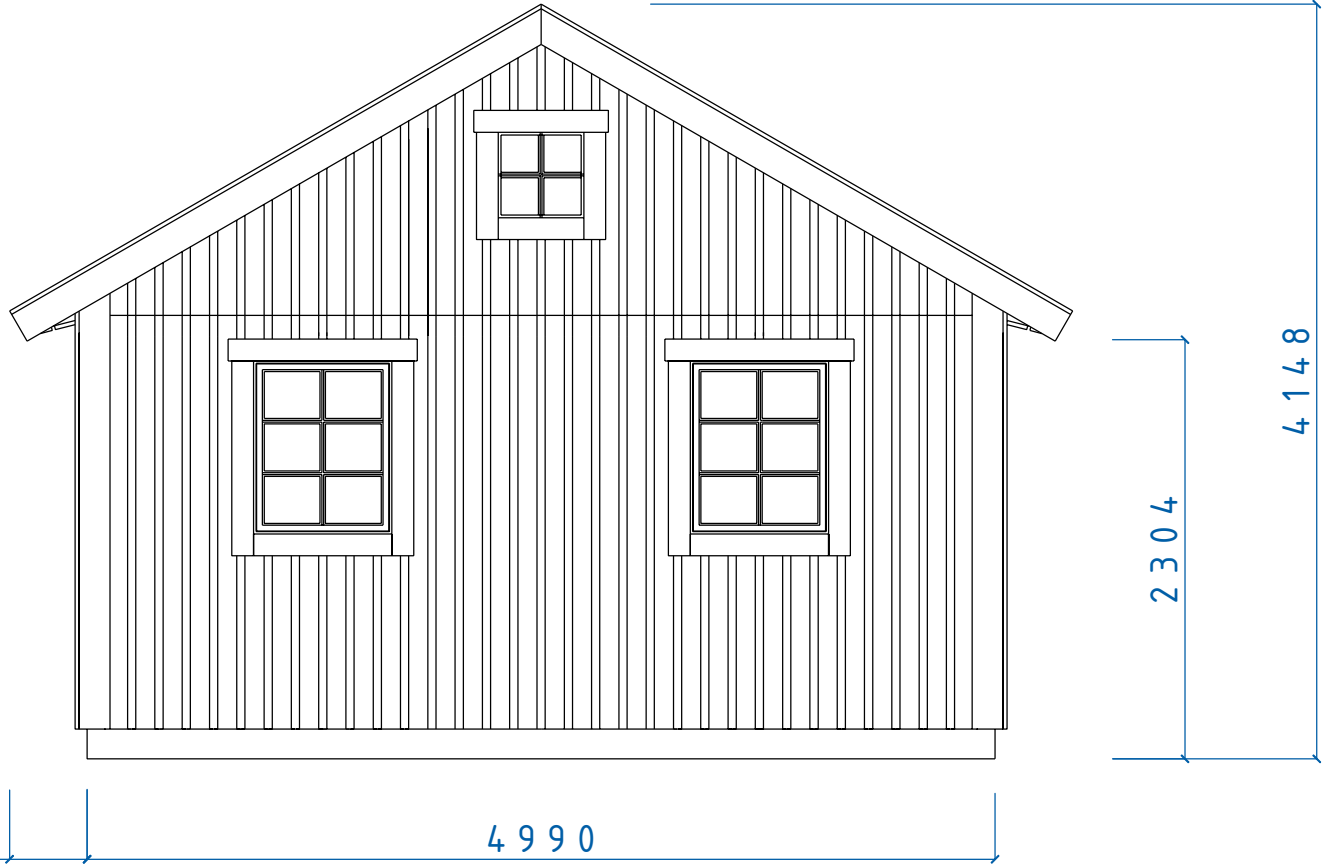
MEGA SERIE			
KORSBACKA FASAD			
F 8x10 D 9x20 TAK 30°			
SIZE	DATE	DWG NO.	REV
	060225	05100607	
SCALE	Designed by: SMÅLÄNNING		SHEET

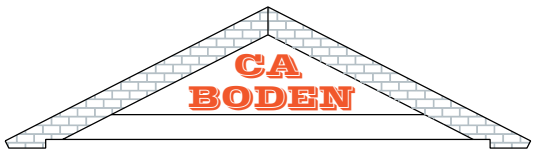
Fiskaregatan 11
871 39 Härnösand

www.cabdense
0611-21790

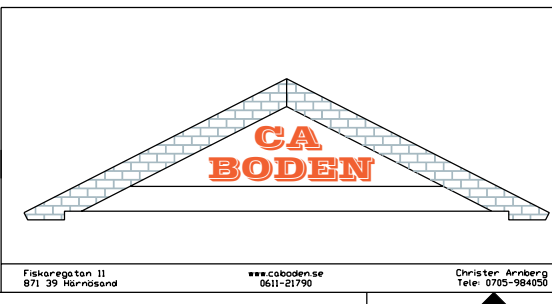
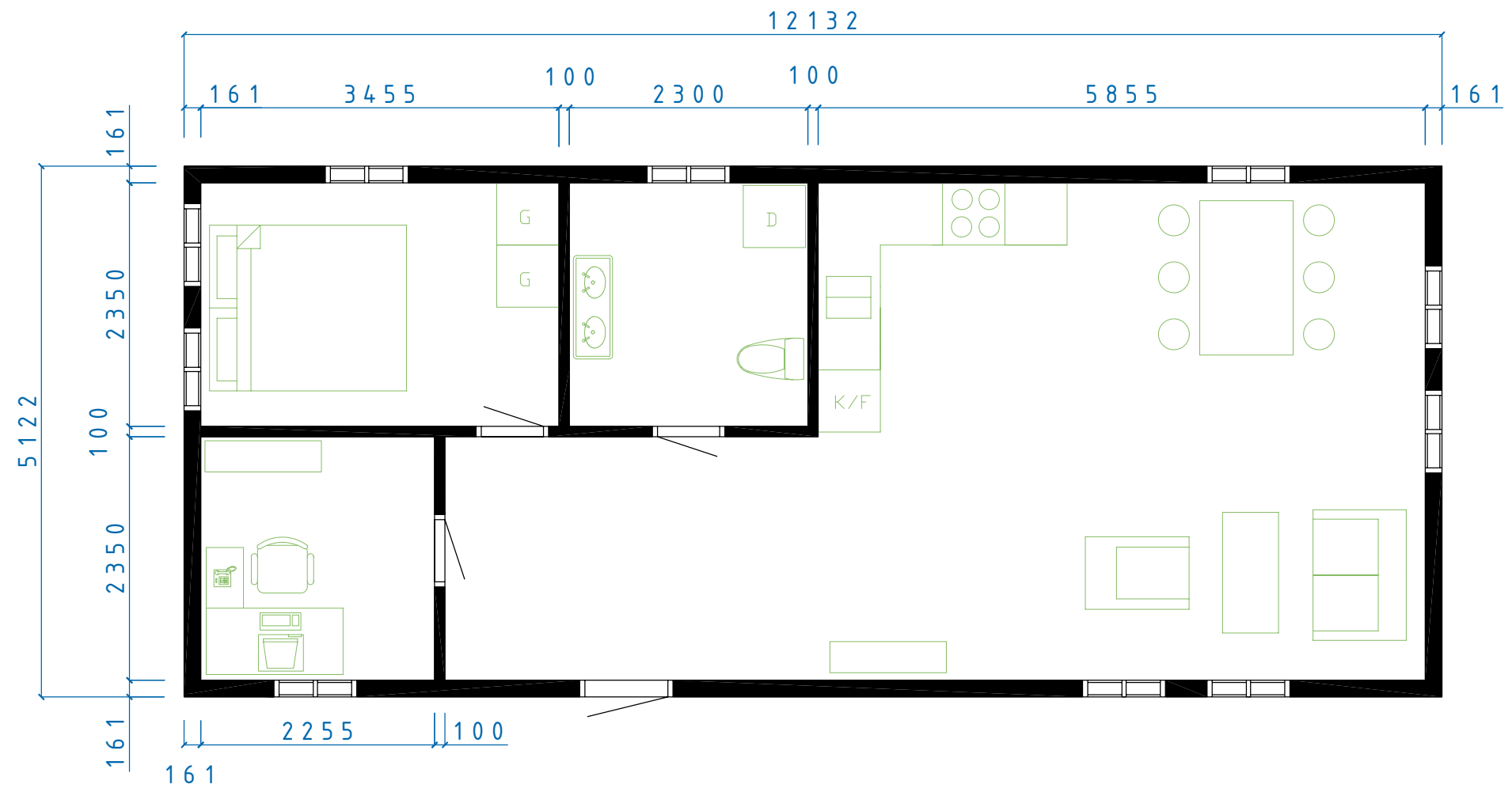
Christer Arnberg
Tele: 0705-984050

REVISIONS				
ZONE	REV	DESCRIPTION	DATE	APPROVED

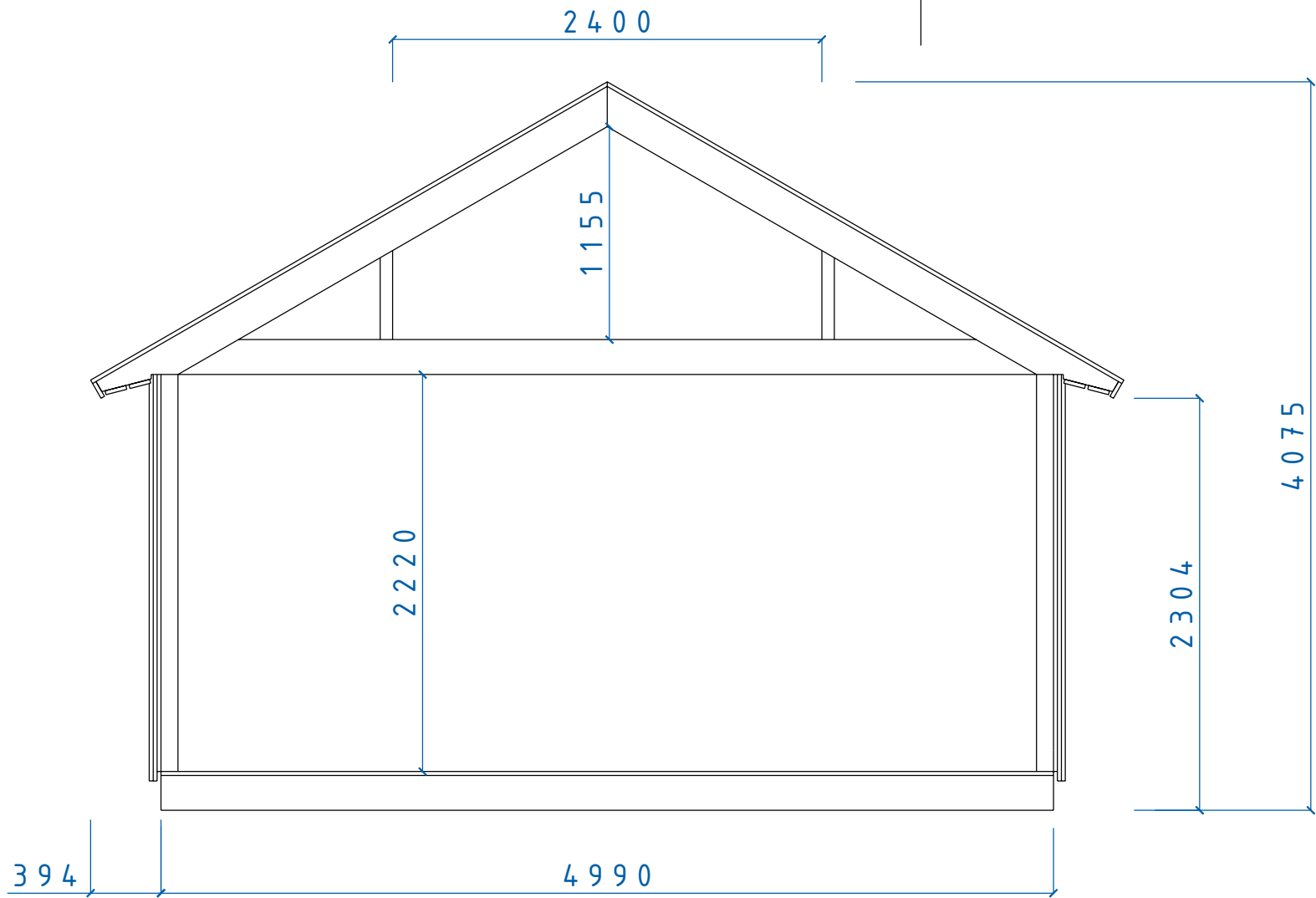


		MEGA SERIE		
		FASAD GAVEL FÖNSTER 8x10 5x5		
SIZE	DATE	DWG NO.	REV	
	060517	05100567		
SCALE	Designed by: SMÄLÄNNING		SHEET	
Fiskaregatan 11 871 39 Hårnäsånd	www.cabodense 0611-21790	Christer Arnborg Tele: 0705-984050		

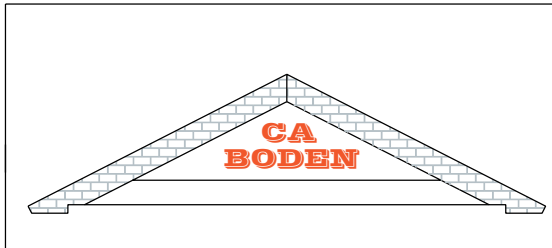
REVISIONS				
ZONE	REV	DESCRIPTION	DATE	APPROVED



MEGA SERIE			
KORSBACKA PLAN			
SIZE	DATE	DWG NO.	REV
	060222	05100604	
SCALE	Designed by: SMÅLÄNNING		SHEET



REVISIONS				
ZONE	REV	DESCRIPTION	DATE	APPROVED



MEGA SERIE
SEKTION MEGA SERIEN
Tak 30° Sovloft

SIZE	DATE	DWG NO.	REV
	060204	05100451	