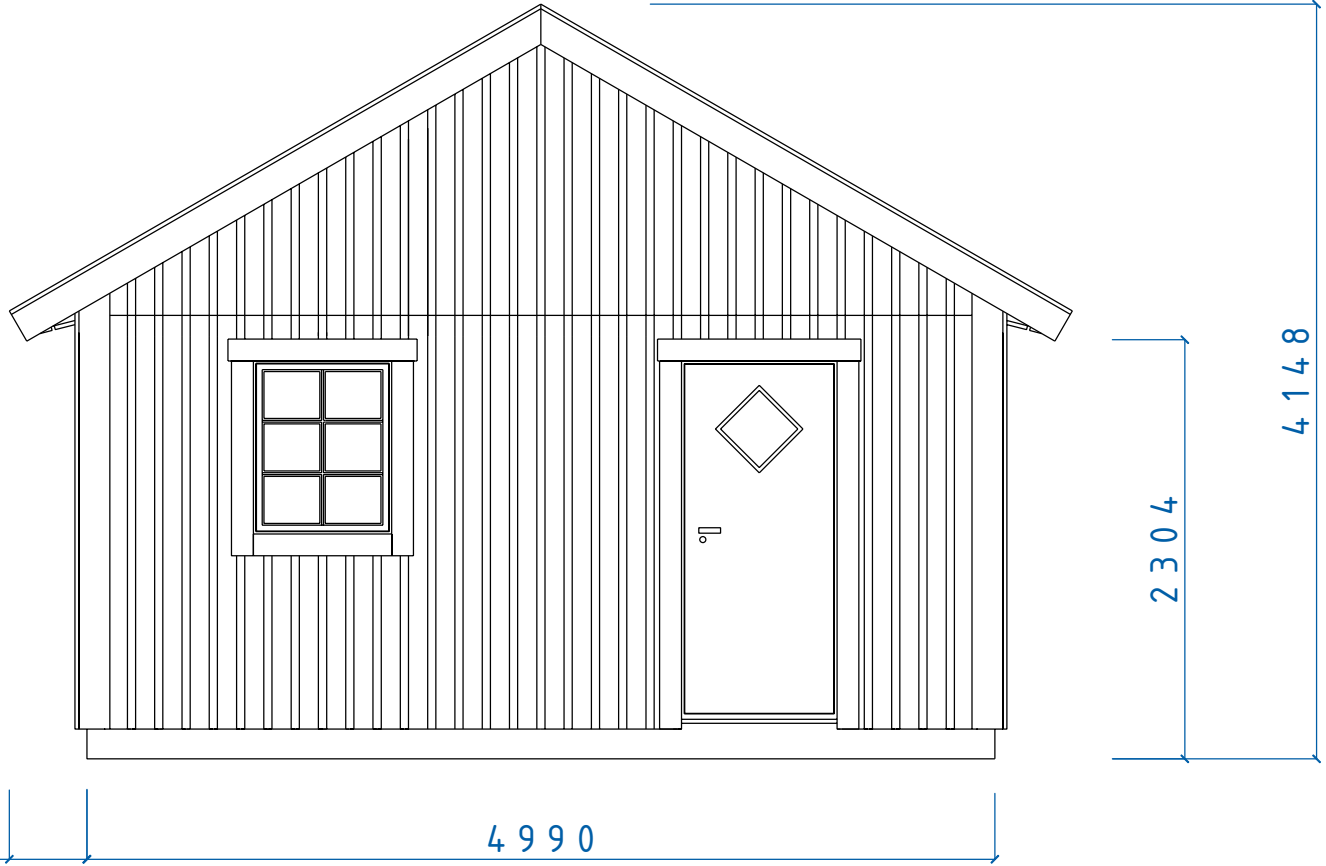
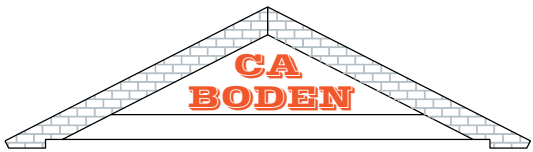


REVISIONS				
ZONE	REV	DESCRIPTION	DATE	APPROVED



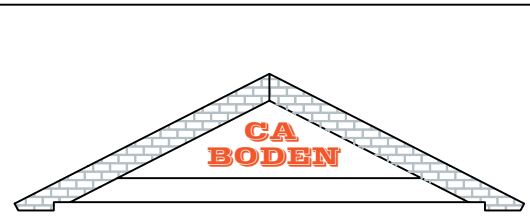
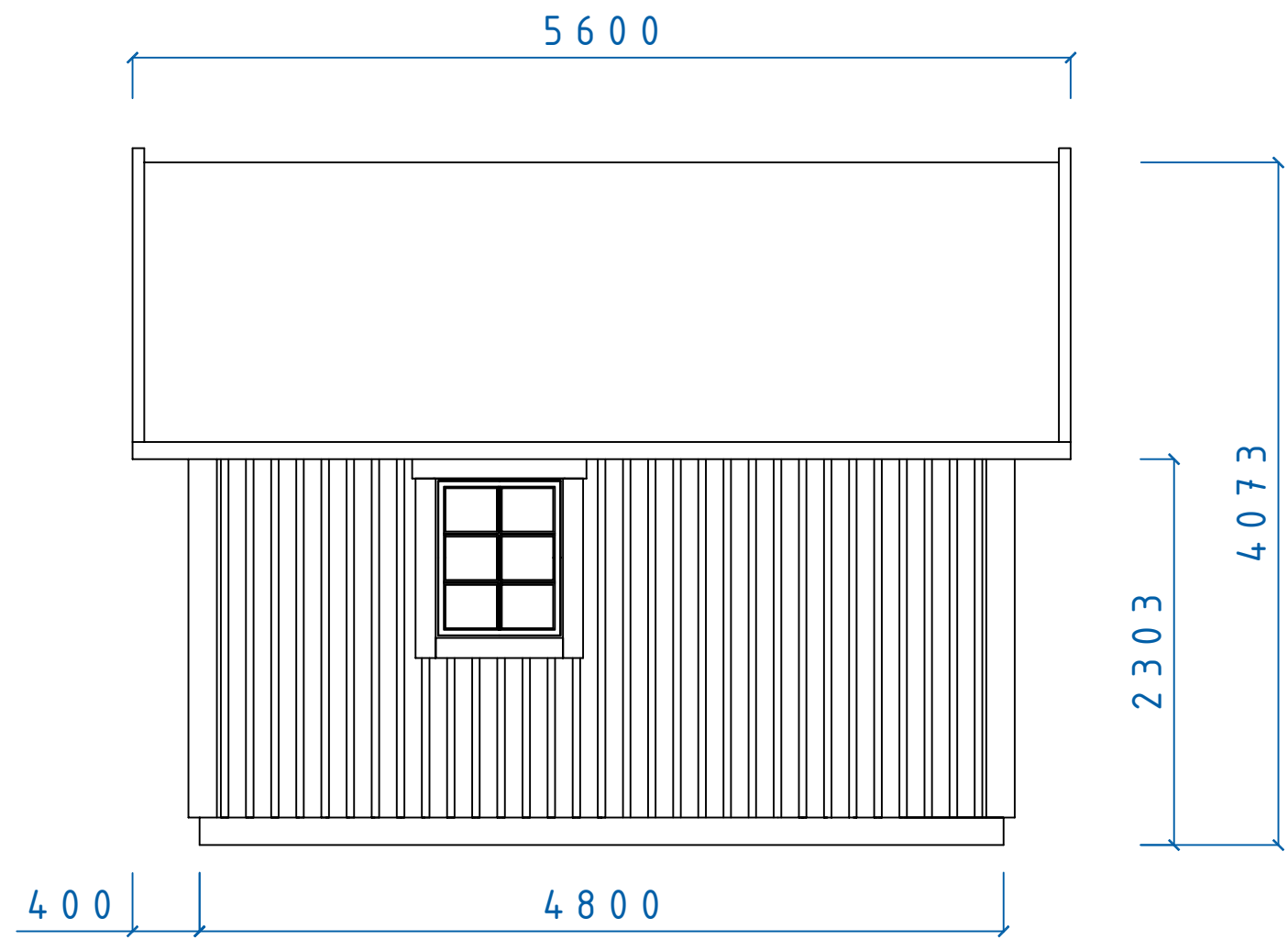
		MEGA SERIE		
		FASAD GAVEL FÖNSTER 8x10		
SIZE	DATE	DWG NO.	REV	
	060516	05100565		
SCALE	Designed by: SMÄLÄNNING		SHEET	

Fiskaregatan 11  
871 39 Härnösand

www.cabodense  
0611-21790

Christer Arnborg  
Tete: 0705-984050

REVISIONS				
ZONE	REV	DESCRIPTION	DATE	APPROVED

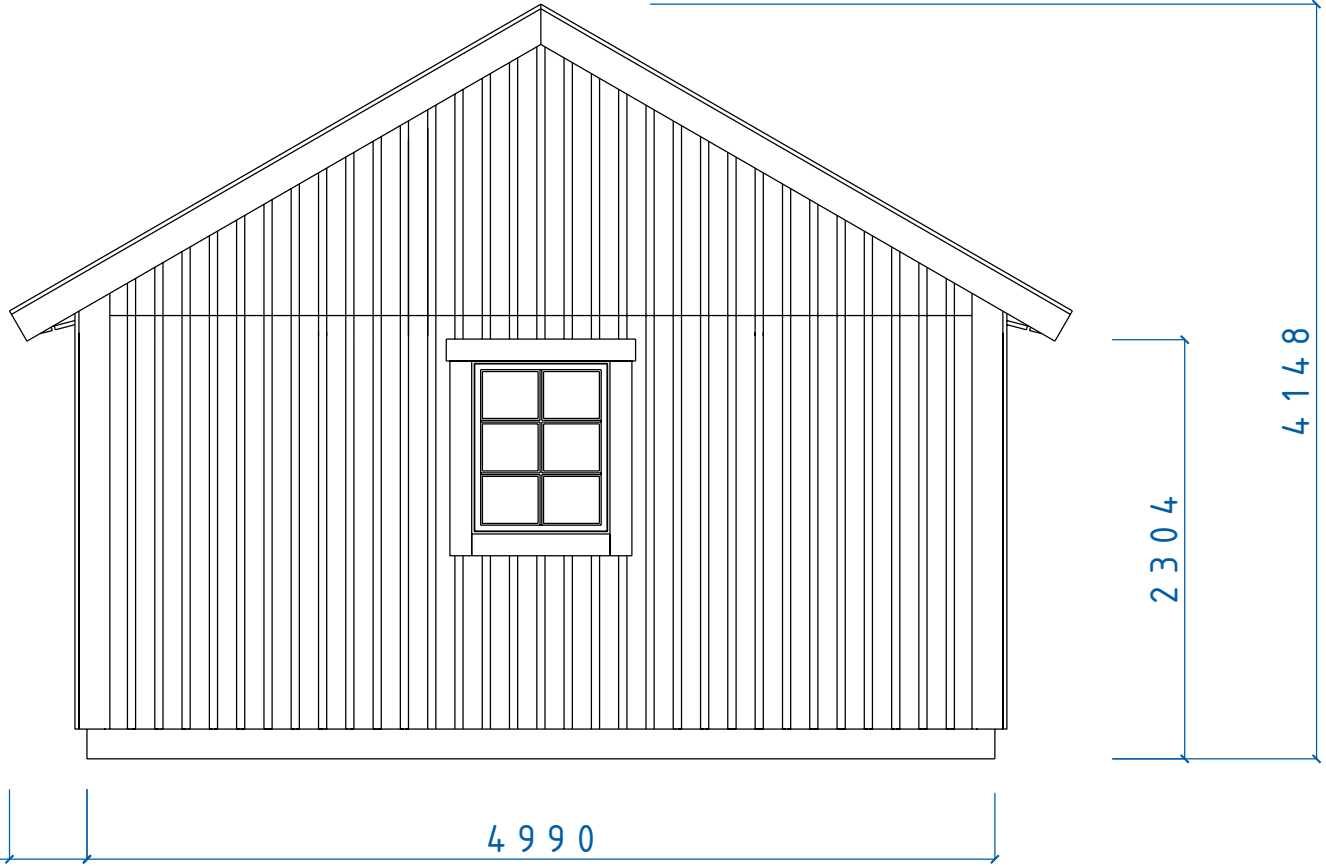


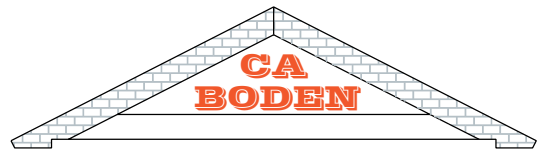
MEGA SERIE

TJÖRN FASAD  
F 8x10, TAK 30°

SIZE	DATE	DWG NO.	REV
	060216	05100561	

REVISIONS				
ZONE	REV	DESCRIPTION	DATE	APPROVED

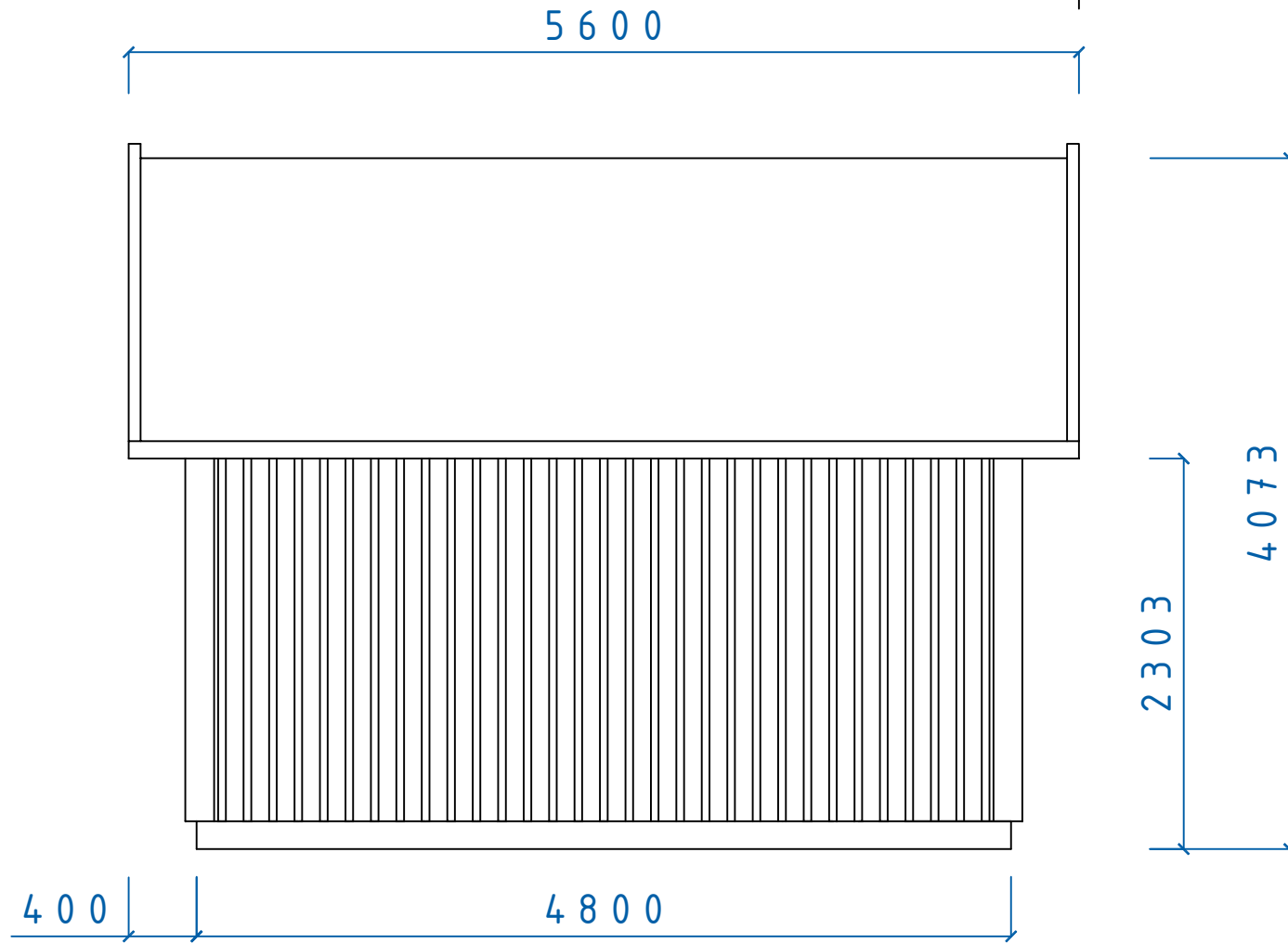


		MEGA SERIE		
		FASAD GAVEL FÖNSTER 8x10		
SIZE	DATE	DWG NO.	REV	
	060216	05100557		
SCALE	Designed by: SMÄLÄNNING		SHEET	

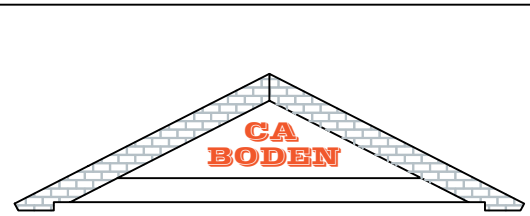
Fiskaregatan 11  
871 39 Härnösand

www.cabodense  
0611-21790

Christer Arnberg  
Tete: 0705-984050



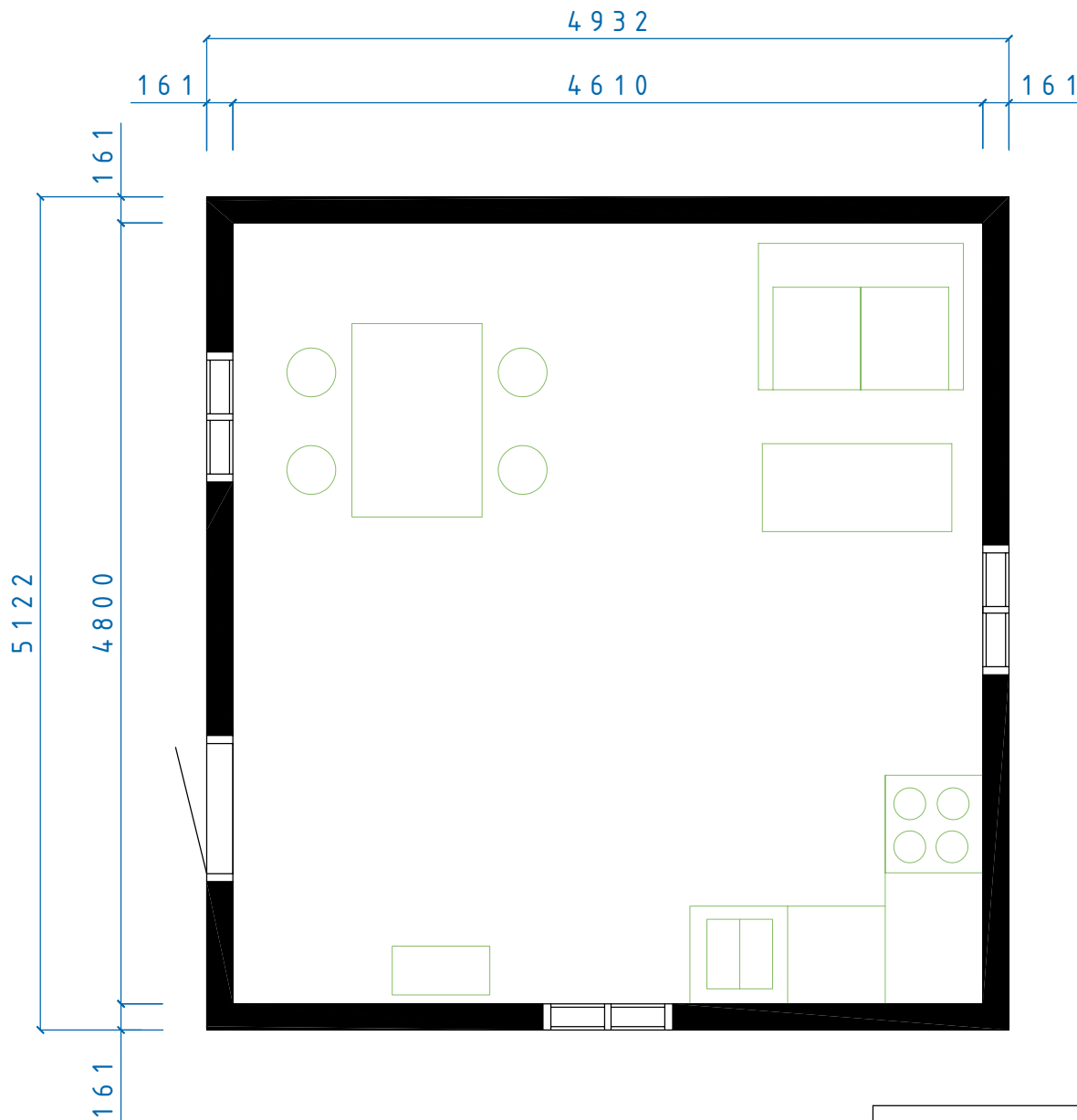
REVISIONS				
ZONE	REV	DESCRIPTION	DATE	APPROVED



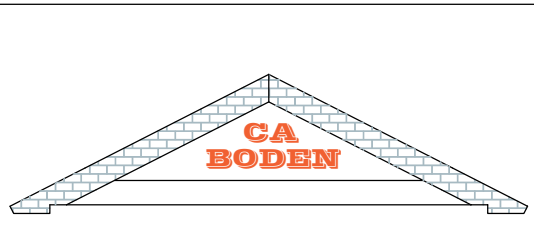
MEGA SERIE

TJÖRN FASAD  
TAK 30°

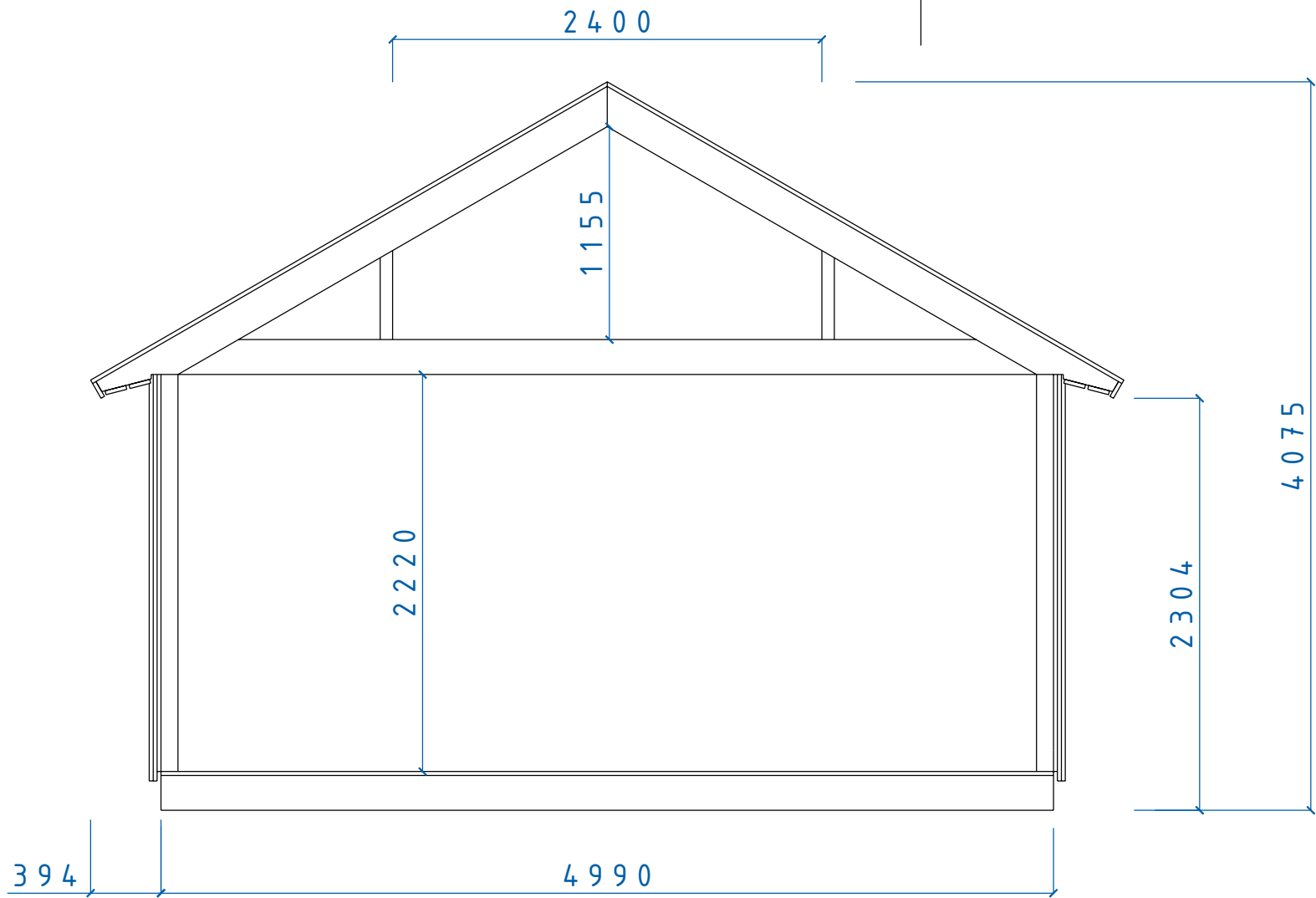
SIZE	DATE	DWG NO.	REV
	060216	05100563	



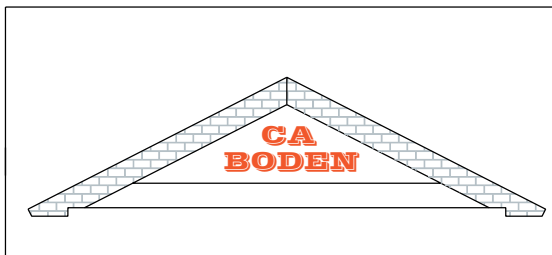
REVISIONS				
ZONE	REV	DESCRIPTION	DATE	APPROVED



MEGA SERIE			
TJÖRN PLAN			
SIZE	DATE	DWG NO.	REV
	060216	05100564	



REVISIONS				
ZONE	REV	DESCRIPTION	DATE	APPROVED



MEGA SERIE  
 SEKTION MEGA SERIEN  
 Tak 30° Sovloft

SIZE	DATE	DWG NO.	REV
	060204	05100451	