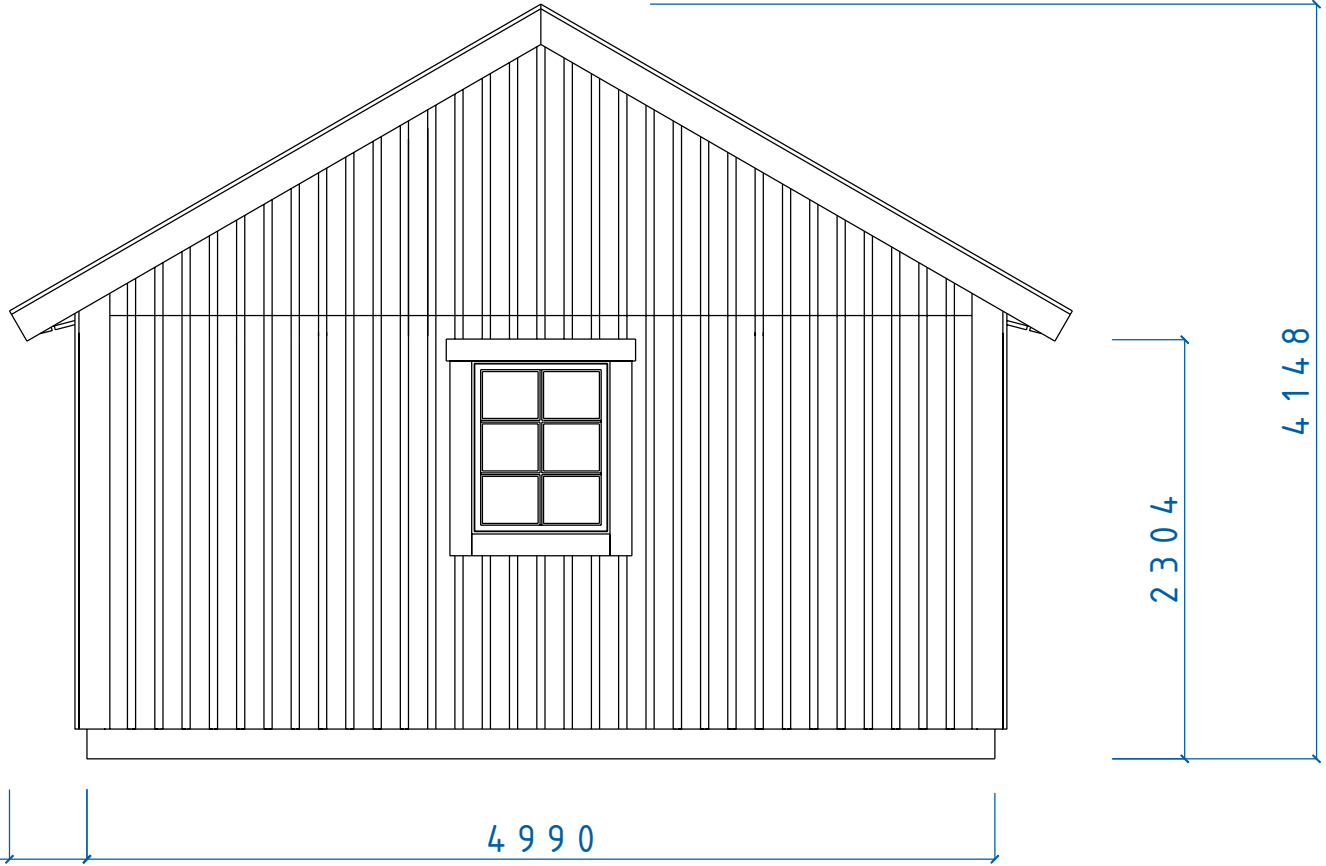
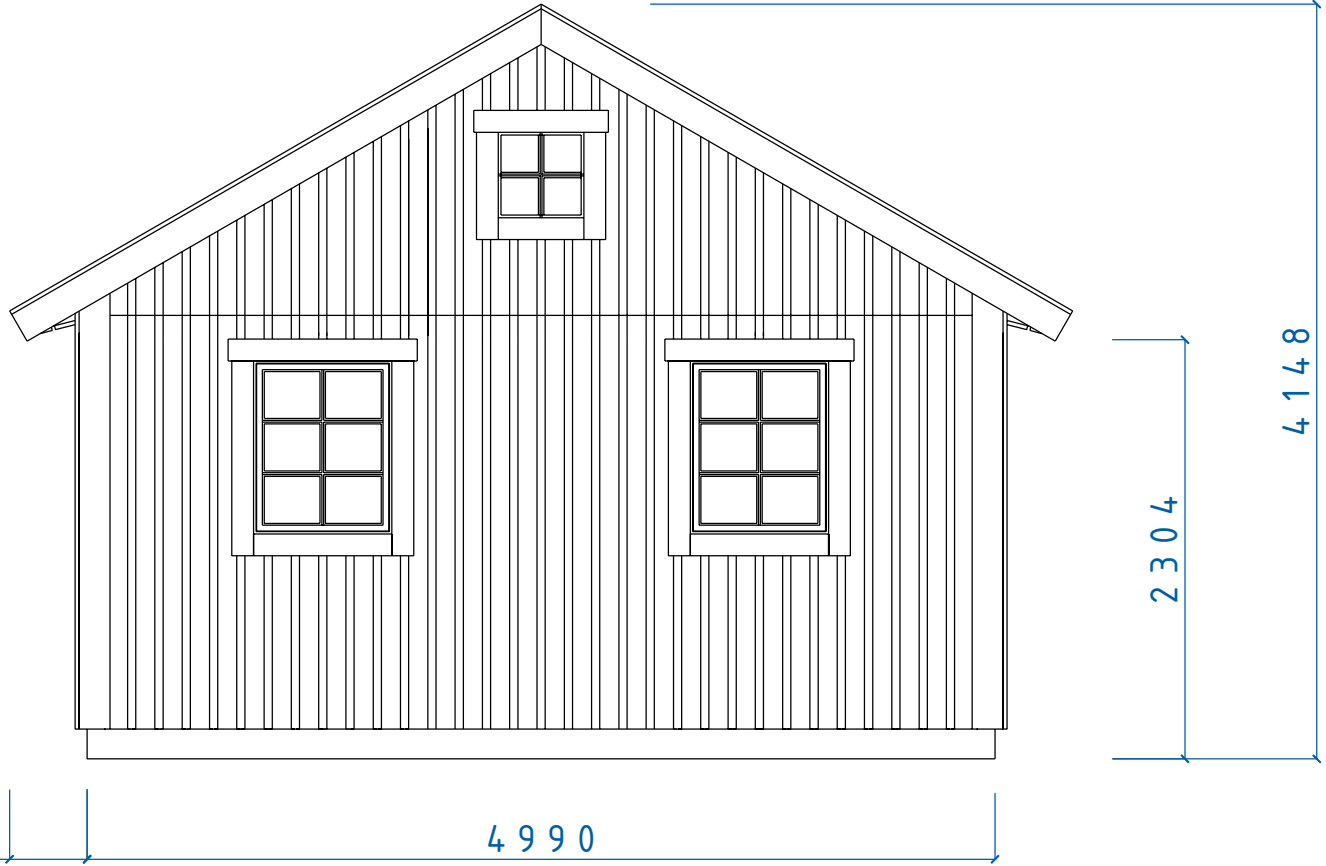


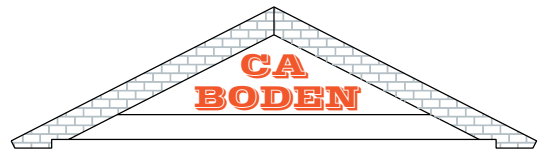
REVISIONS				
ZONE	REV	DESCRIPTION	DATE	APPROVED

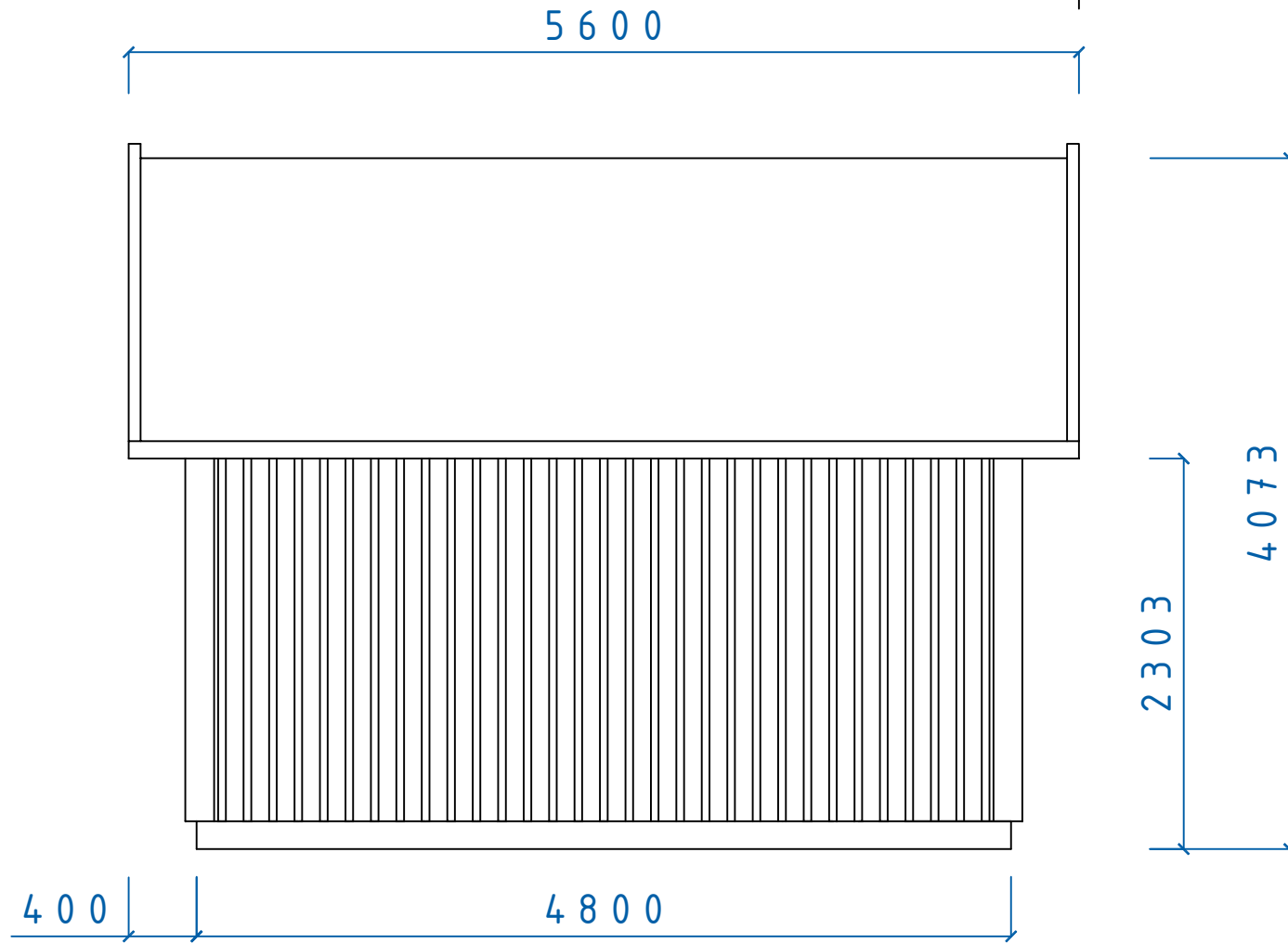


		MEGA SERIE		
		FASAD GAVEL FÖNSTER 8x10		
SIZE	DATE	DWG NO.	REV	
	060216	05100557		
SCALE	Designed by: SMÄLÄNNING		SHEET	

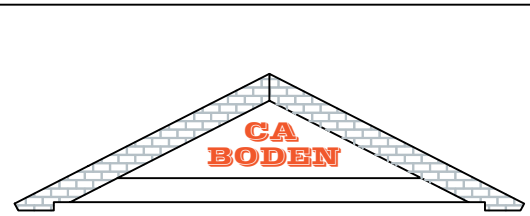
REVISIONS				
ZONE	REV	DESCRIPTION	DATE	APPROVED



		MEGA SERIE		
		FASAD GAVEL FÖNSTER 8x10 5x5		
SIZE	DATE	DWG NO.	REV	
	060517	05100567		
SCALE	Designed by: SMÄLÄNNING		SHEET	
Fiskaregatan 11 871 39 Hårnäsånd	www.cabodense 0611-21790	Christer Arnborg Tele: 0705-984050		

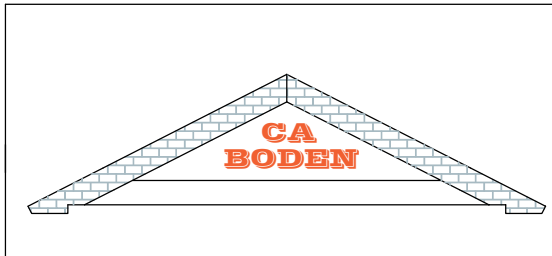
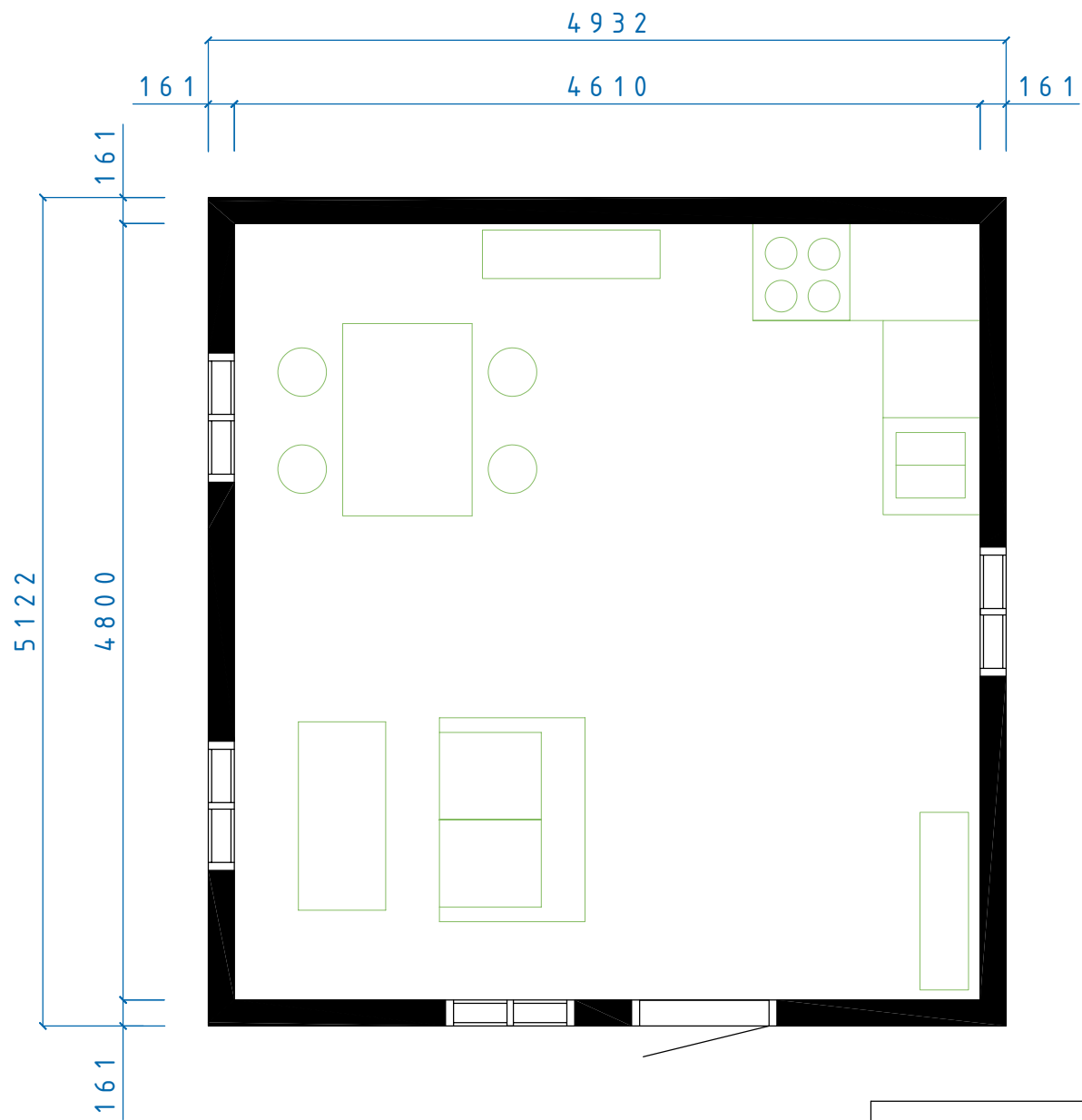


REVISIONS				
ZONE	REV	DESCRIPTION	DATE	APPROVED



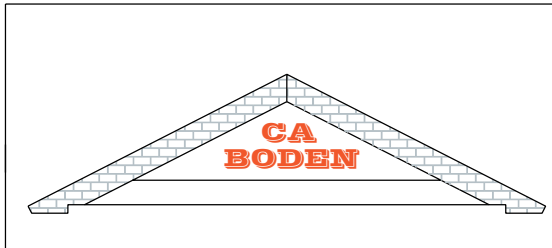
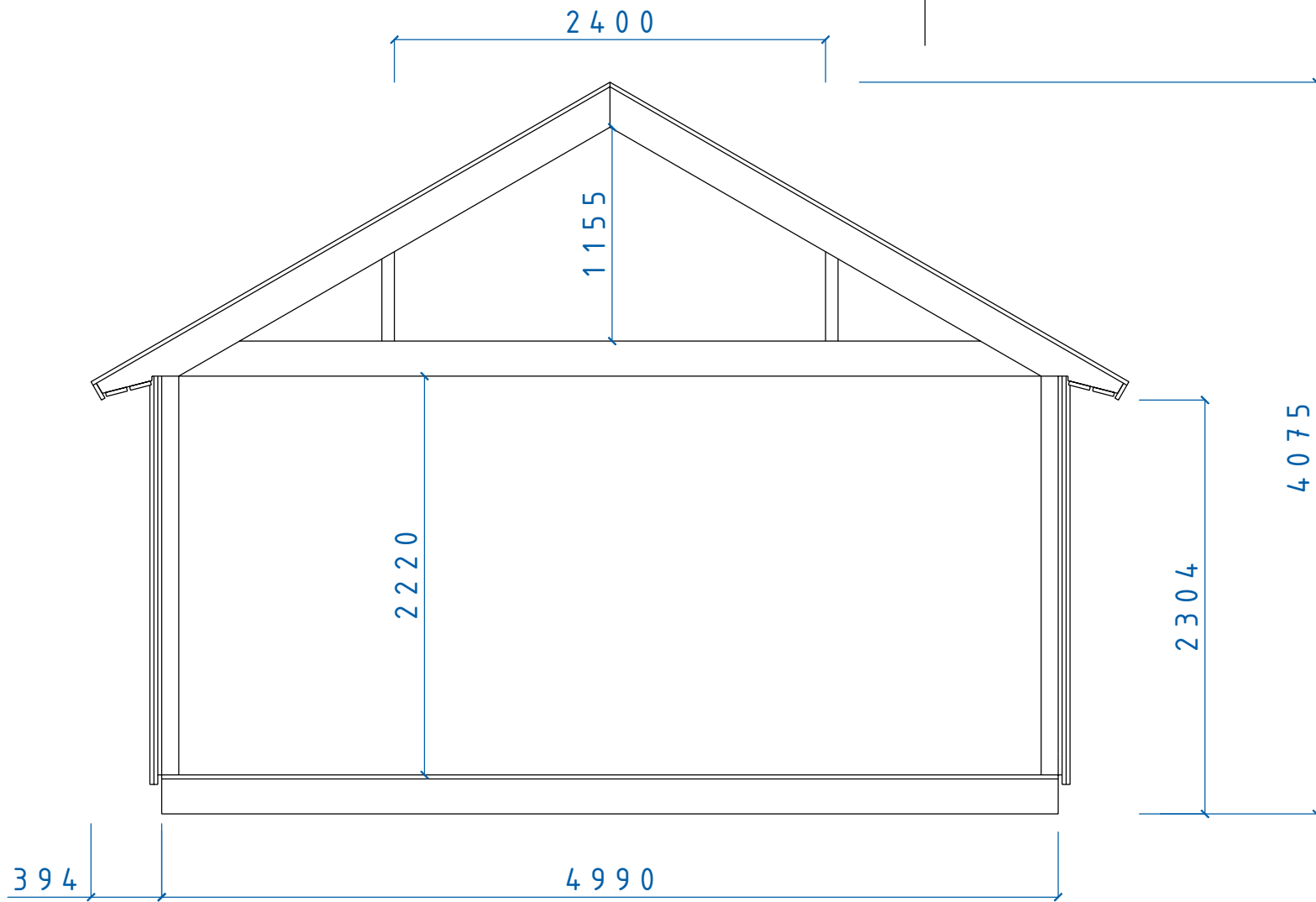
MEGA SERIE				
TJÖRN FASAD TAK 30°				
SIZE	DATE	DWG NO.	REV	
	060216	05100563		

REVISIONS				
ZONE	REV	DESCRIPTION	DATE	APPROVED



MEGA SERIE			
TJÖRN PLAN			
SIZE	DATE	DWG NO.	REV
	060216	05100566	

REVISIONS				
ZONE	REV	DESCRIPTION	DATE	APPROVED



MEGA SERIE
SEKTION MEGA SERIEN
Tak 30° Sovloft

SIZE	DATE	DWG NO.	REV
	060204	05100451	