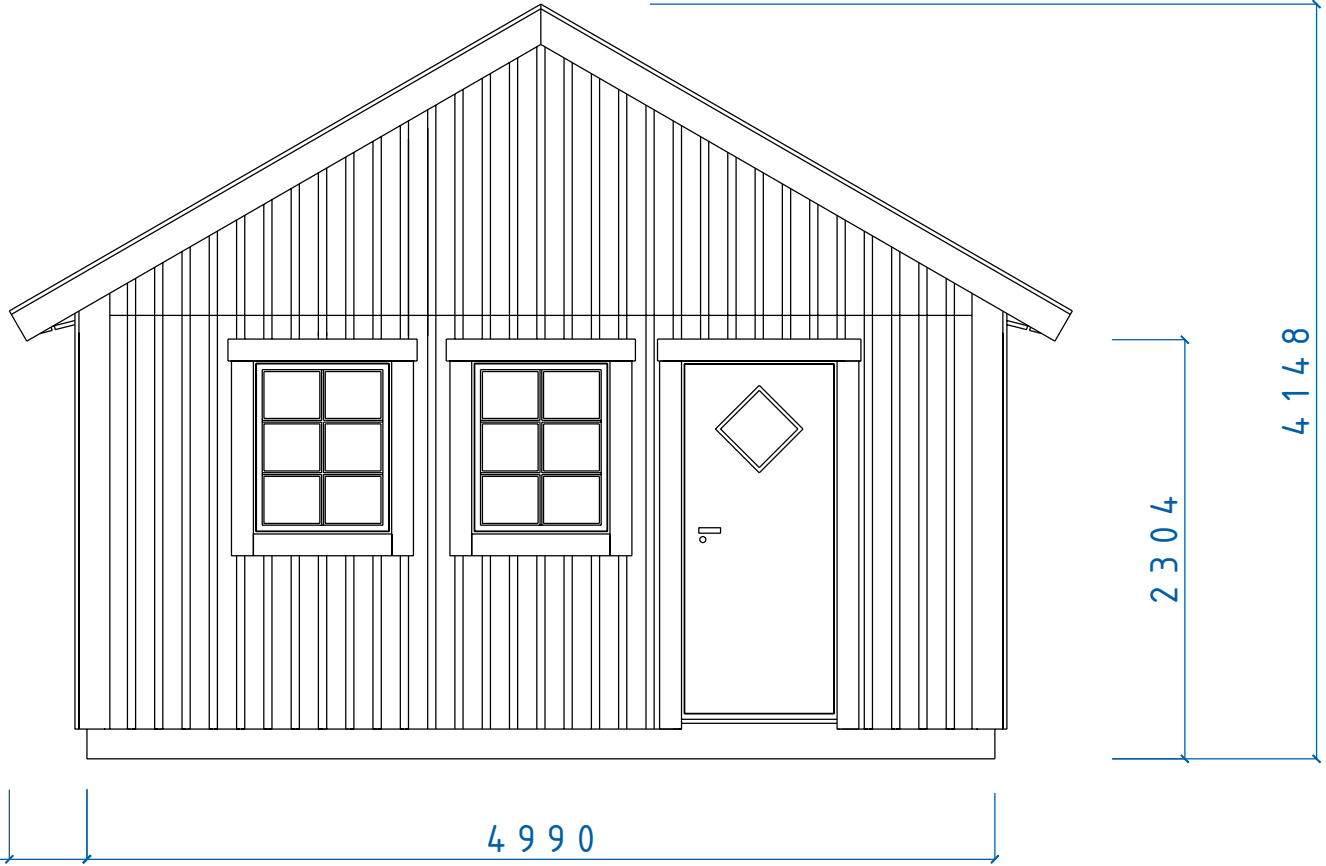


REVISIONS				
ZONE	REV	DESCRIPTION	DATE	APPROVED



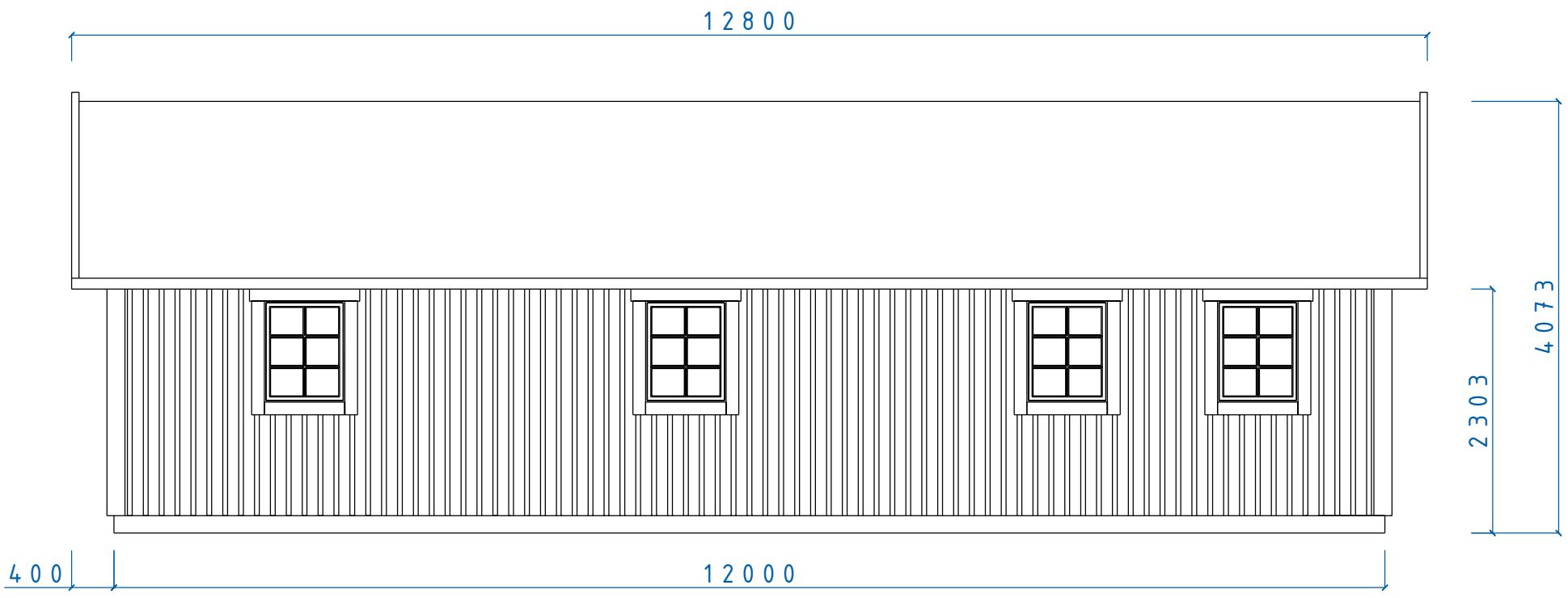
		MEGA SERIE		
		FASAD GAVEL FÖNSTER 8x10 DÖRR 9x20		
SIZE	DATE	DWG NO.	REV	
	060216	05100565		
SCALE	Designed by: SMÄLÄNNING		SHEET	

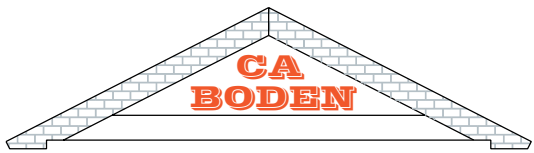
Fiskaregatan 11
871 39 Härnösand

www.cabodense
0611-21790

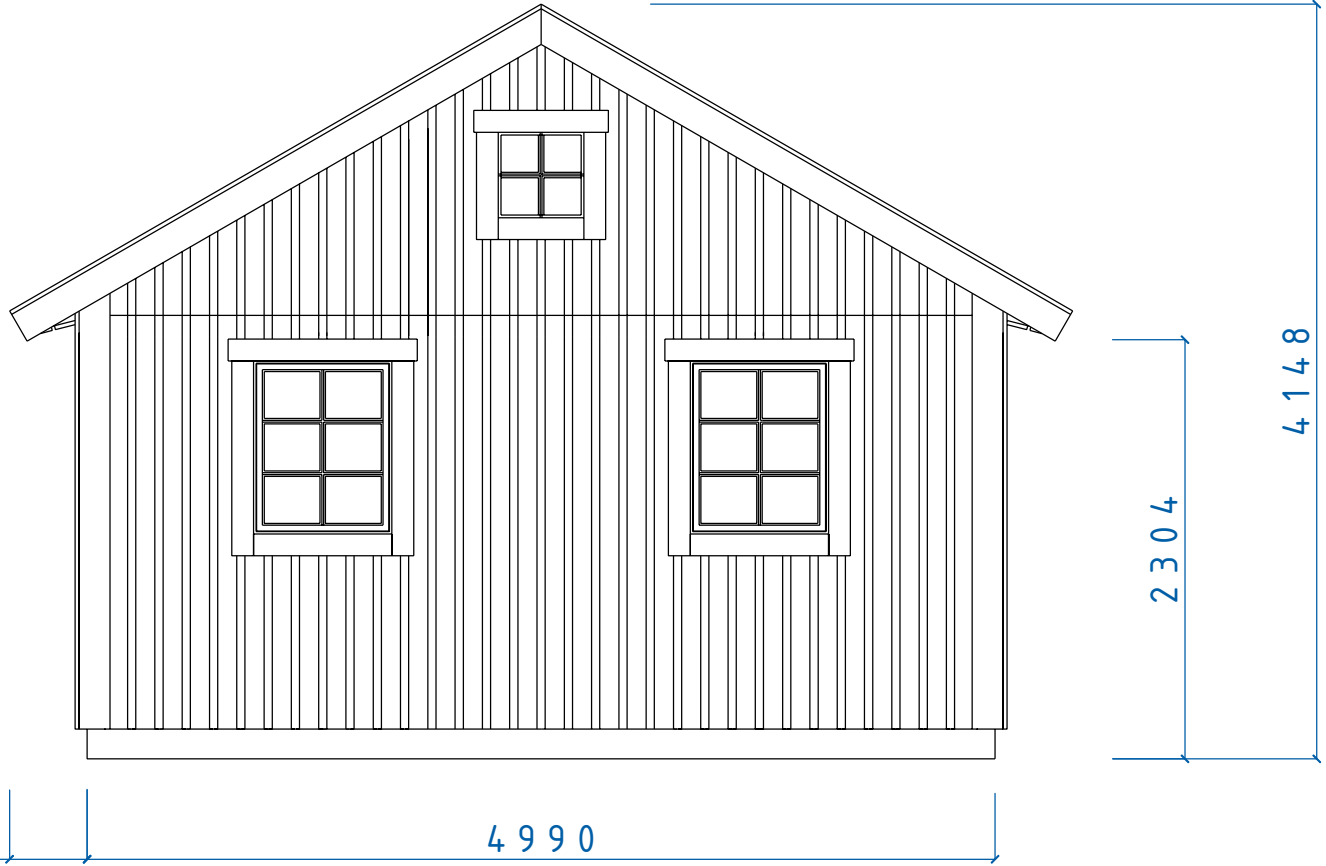
Christer Arnberg
Tete: 0705-984050

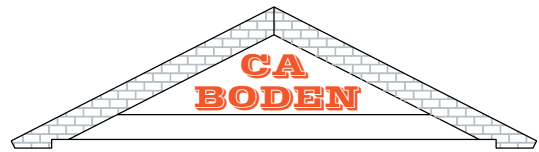
REVISIONS				
ZONE	REV	DESCRIPTION	DATE	APPROVED



	MEGA SERIE		
	KORSBACKA FASAD F 8x10 TAK 30°		
SIZE	DATE	DWG NO.	REV
	060224	05100606	
SCALE	Designed by: SMÅLÄNNING		SHEET

REVISIONS				
ZONE	REV	DESCRIPTION	DATE	APPROVED



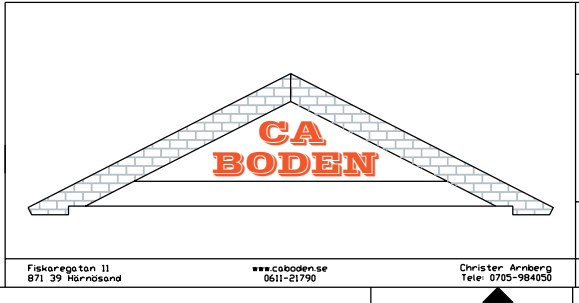
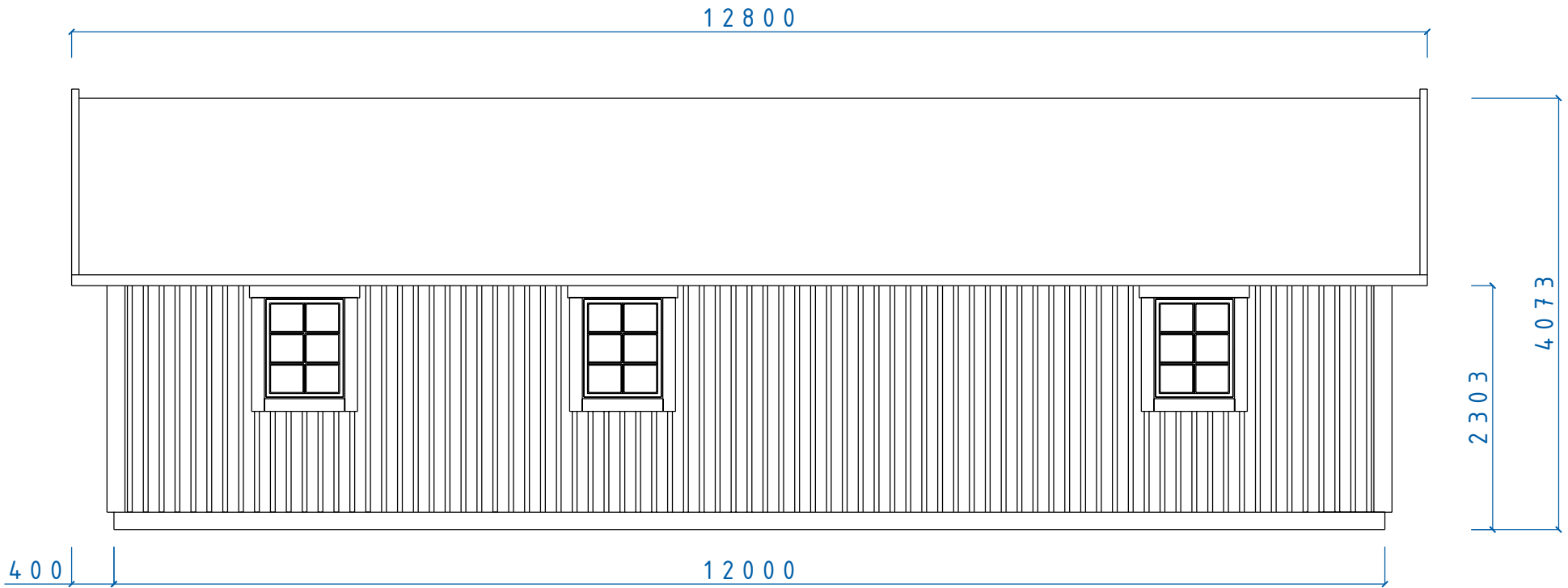
		MEGA SERIE		
		FASAD GAVEL FÖNSTER 8x10 5x5		
SIZE	DATE	DWG NO.	REV	
	060517	05100567		
SCALE	Designed by: SMÄLÄNNING		SHEET	

Fiskaregatan 11
871 39 Härnösand

www.cabodense
0611-21790

Christer Arnborg
Tele: 0705-984050

REVISIONS				
ZONE	REV	DESCRIPTION	DATE	APPROVED



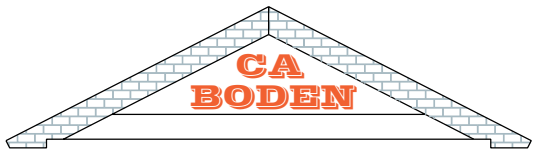
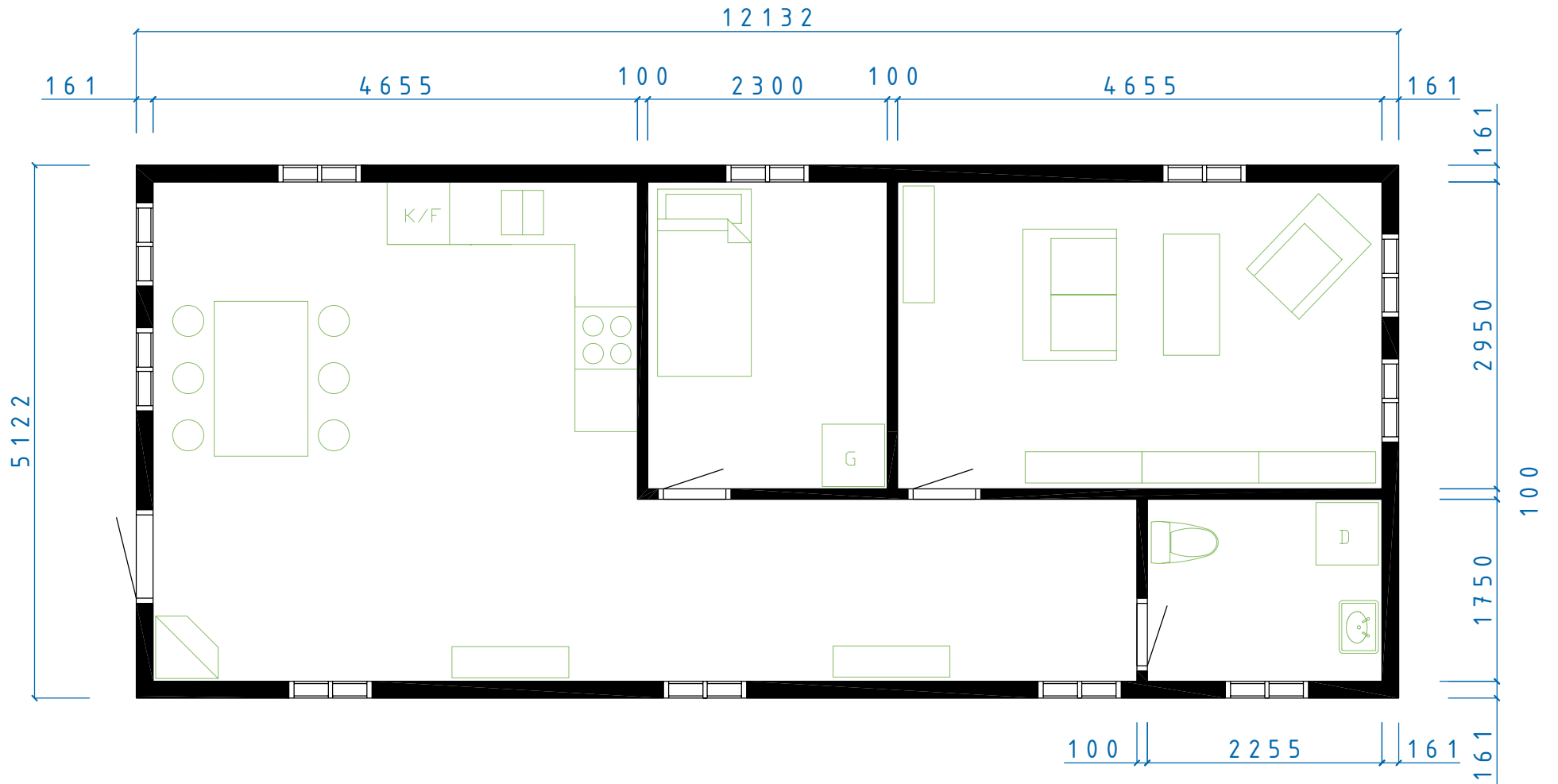
MEGA SERIE			
KORSBACKA FASAD			
F 8x10 D 9x20 TAK 30°			
SIZE	DATE	DWG NO.	REV
	060225	05100607	
SCALE	Designed by: SMÅLÄNNING		SHEET

Fiskaregatan 11
871 39 Härnösand

www.cabdense
0611-21790

Christer Arnberg
Tele: 0705-984050

REVISIONS				
ZONE	REV	DESCRIPTION	DATE	APPROVED



MEGA SERIE

KORSBACKA
PLAN

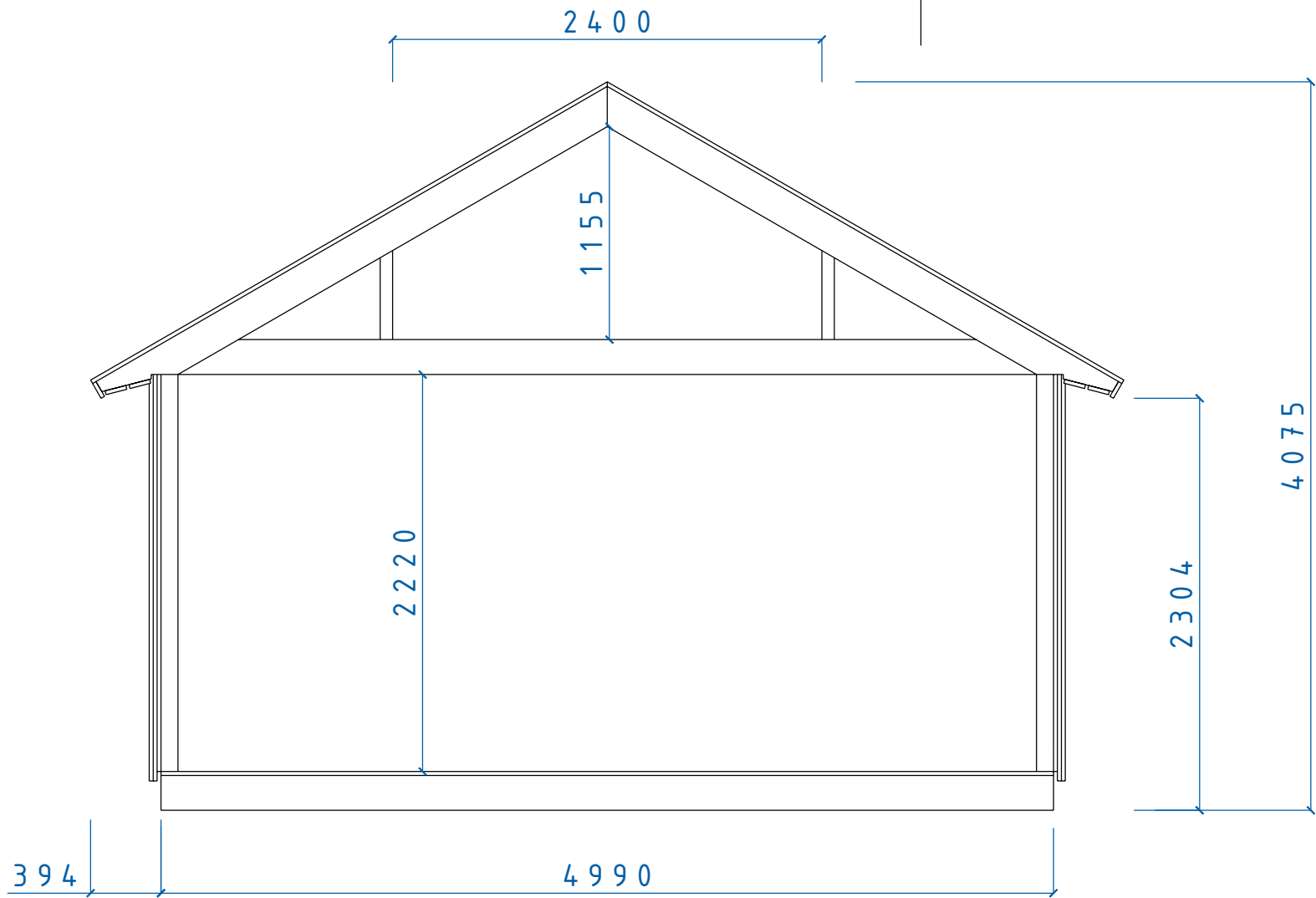
SIZE	DATE	DWG NO.	REV
	060222	05100605	

Fiskaregatan 11
871 39 Hörnäsand

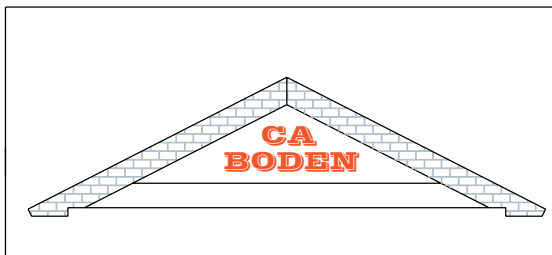
www.cabdense
0611-21790

Christer Arnberg
Tele: 0705-984050

SCALE	Designed by: SMÅLÄNNING	SHEET
-------	-------------------------	-------



REVISIONS				
ZONE	REV	DESCRIPTION	DATE	APPROVED



MEGA SERIE

SEKTION MEGA SERIEN
Tak 30° Sovloft

SIZE	DATE	DWG NO.	REV
	060204	05100451	