

REVISIONS				
ZONE	REV	DESCRIPTION	DATE	APPROVED

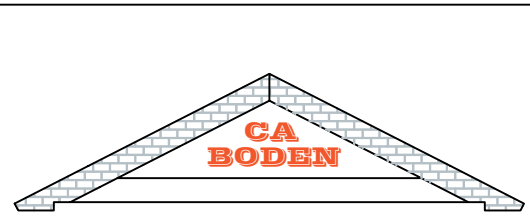
8000



2303
4073

400

7200



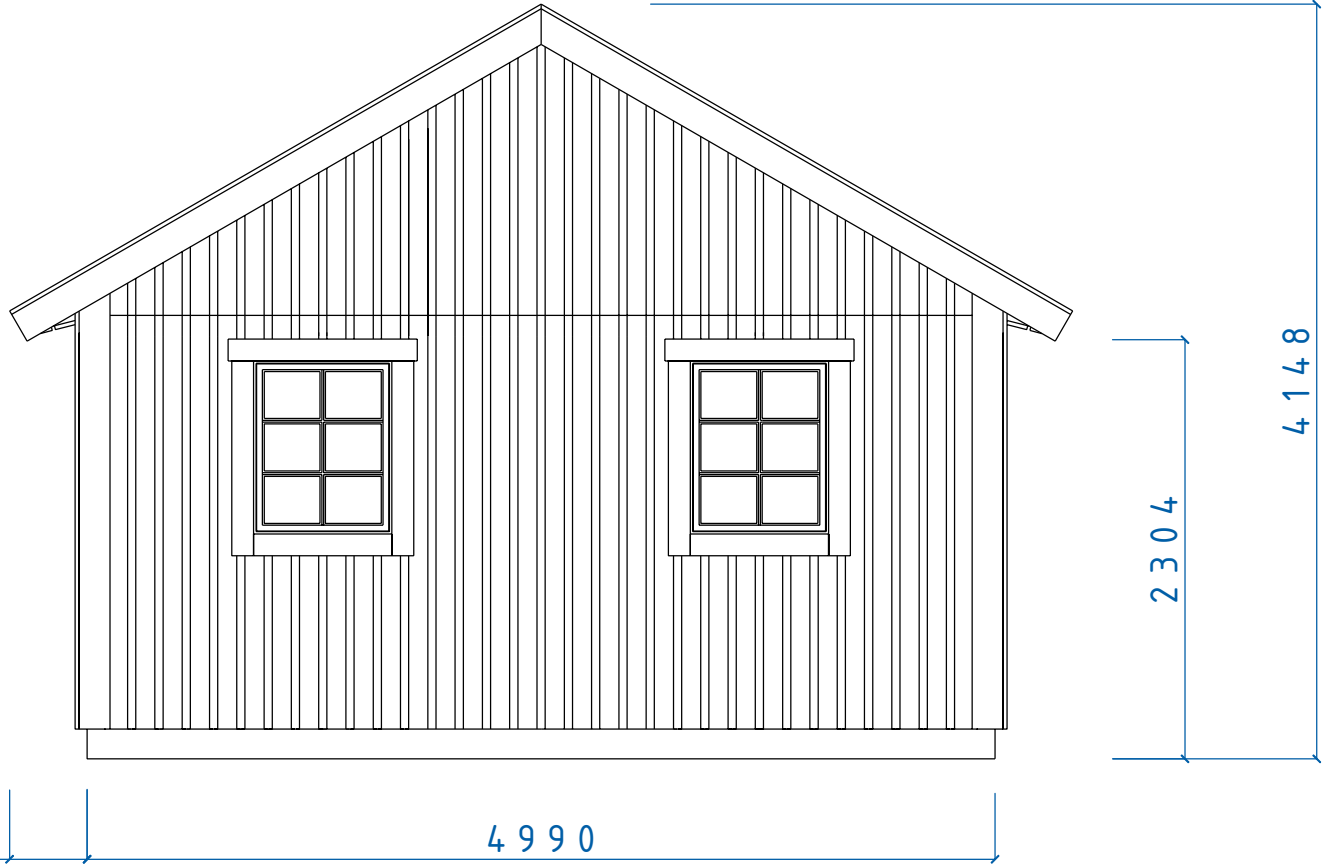
MEGA SERIE				
MARIEFRED FASAD				
F 8x10 TAK 30°				
SIZE	DATE	DWG. NO.	REV	
	060227	05100641		
SCALE	Designed by: SMALÄNNING		SHEET	

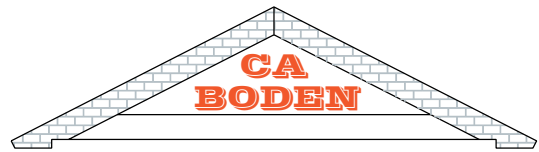
Fiskaregatan 11
871 39 Hårsåsund

www.cabodens.se
0611-21790

Christen Arrberg
Telef: 0705-984050

REVISIONS				
ZONE	REV	DESCRIPTION	DATE	APPROVED



		MEGA SERIE		
		FASAD GAVEL FÖNSTER 8x10		
SIZE	DATE	DWG NO.	REV	
	060516	05100558		
SCALE	Designed by: SMÄLÄNNING		SHEET	

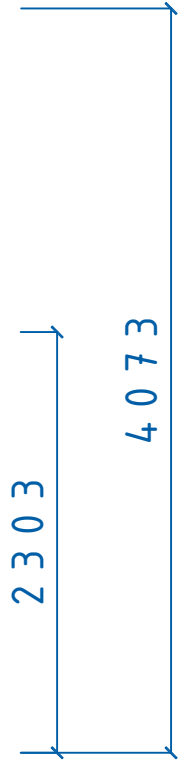
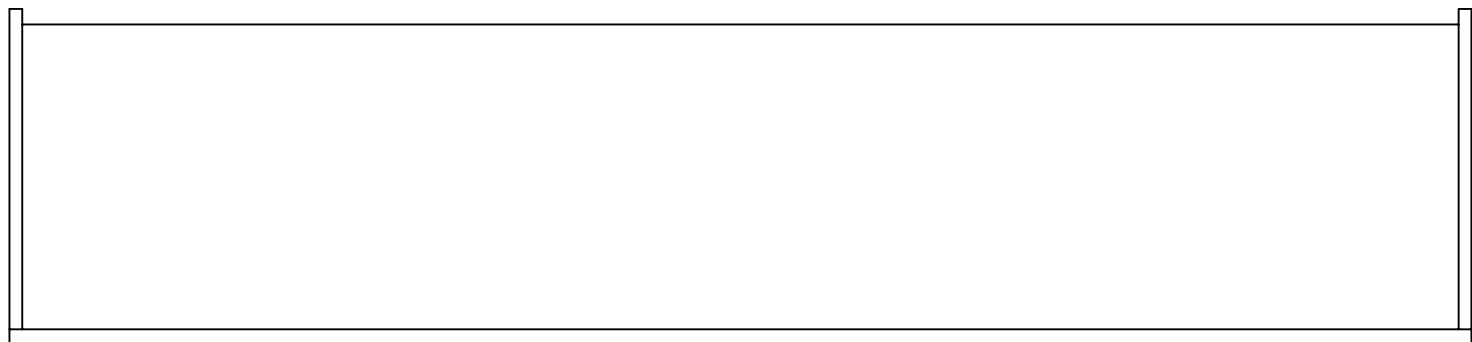
Fiskaregatan 11
871 39 Härnösand

www.cabodense
0611-21790

Christer Arnborg
Tele: 0705-984050

REVISIONS				
ZONE	REV	DESCRIPTION	DATE	APPROVED

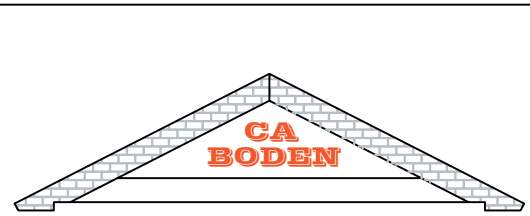
8000



400



7200

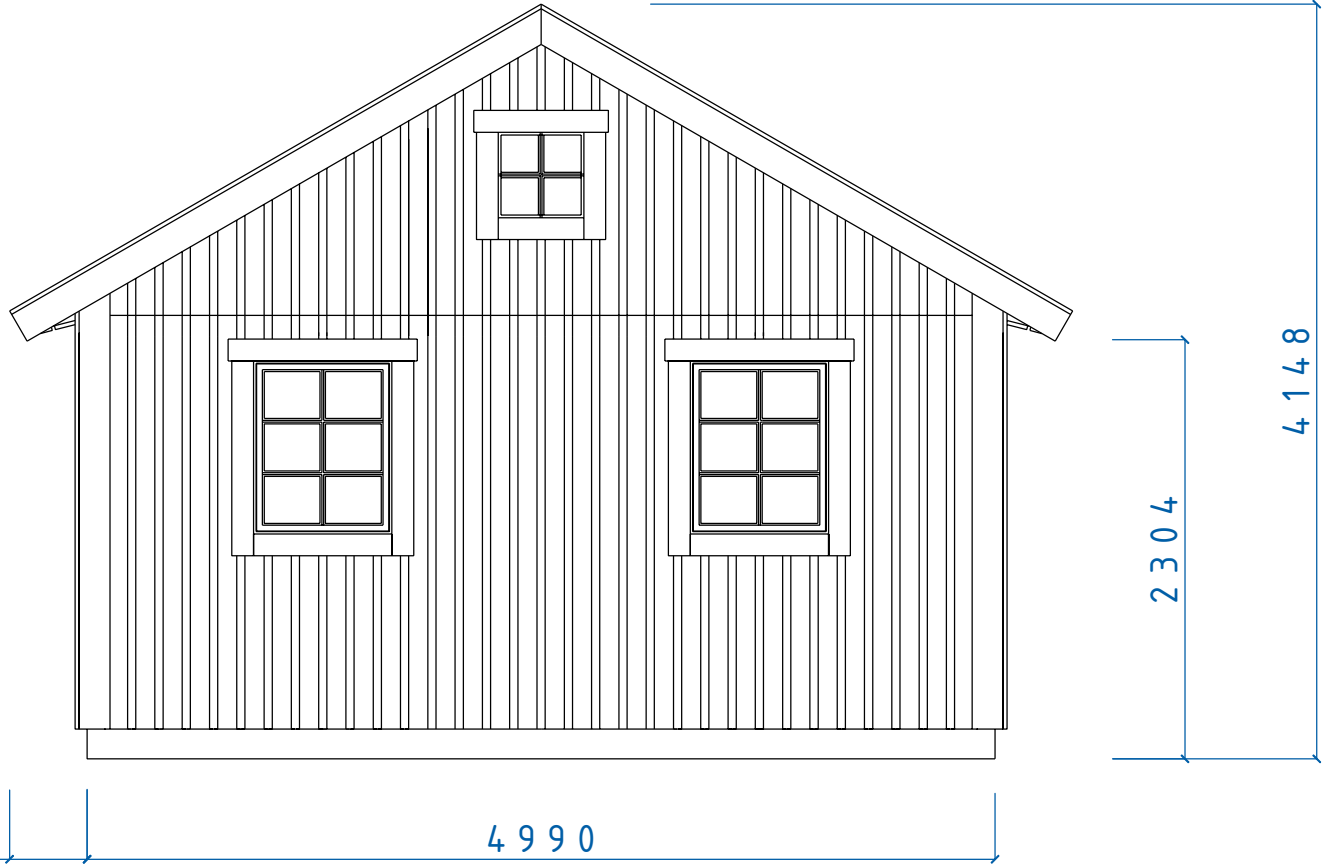


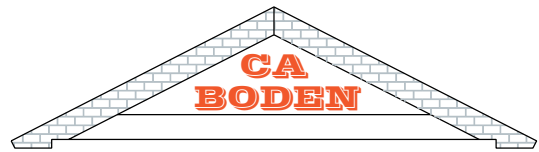
MEGA SERIE

MARIEFRED FASAD
TAK 30°

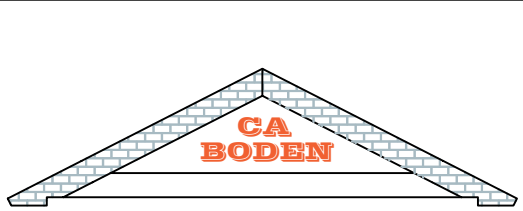
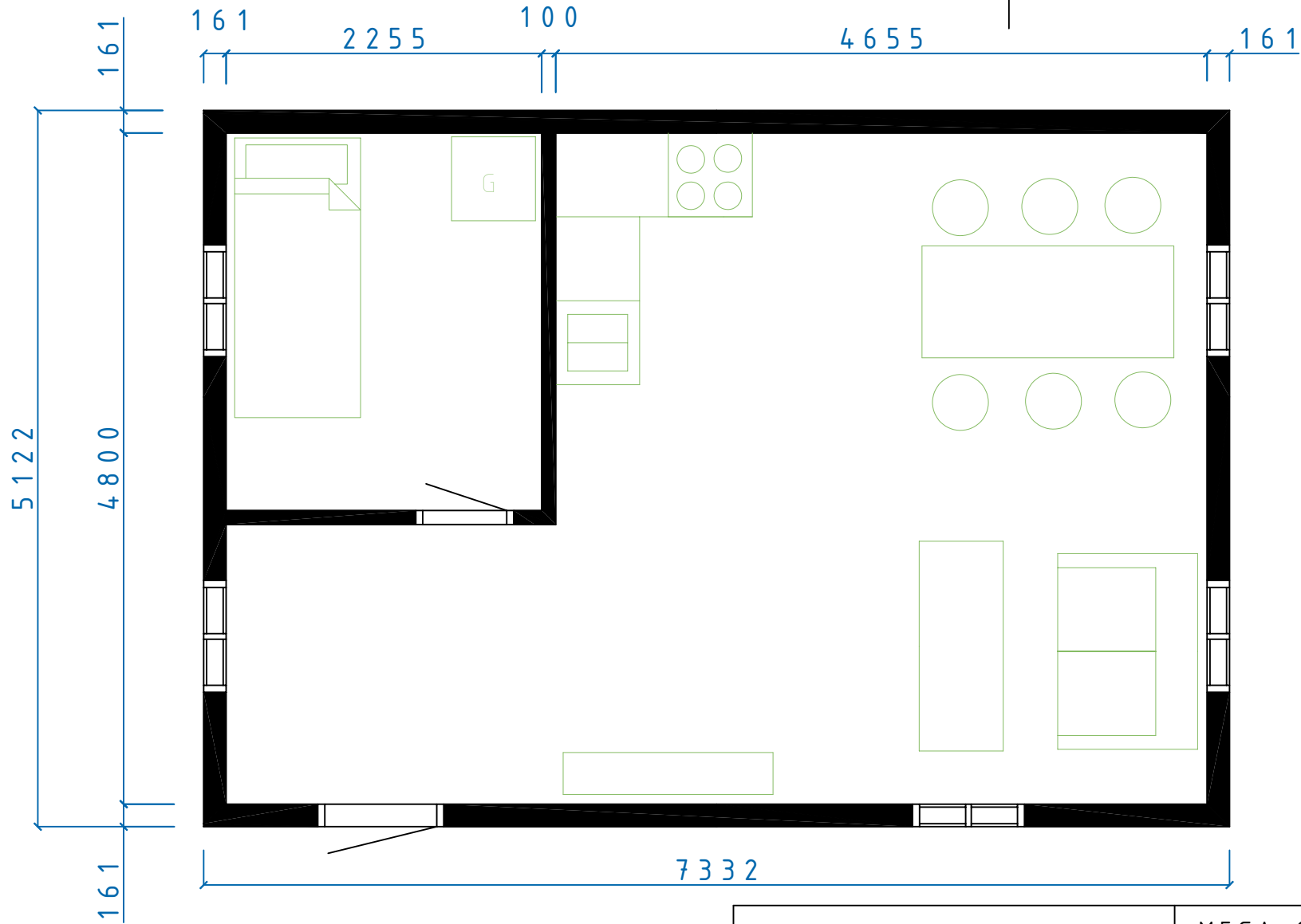
SIZE	DATE	DWG NO.	REV
	060227	05100638	

REVISIONS				
ZONE	REV	DESCRIPTION	DATE	APPROVED



		MEGA SERIE		
		FASAD GAVEL FÖNSTER 8x10 5x5		
SIZE	DATE	DWG NO.	REV	
	060517	05100567		
SCALE	Designed by: SMÄLÄNNING		SHEET	
Fiskaregatan 11 871 39 Hårnäsånd	www.cabodense 0611-21790	Christer Arnborg Tele: 0705-984050		

REVISIONS			DATE	APPROVED
ZONE	REV	DESCRIPTION		



MEGA SERIE

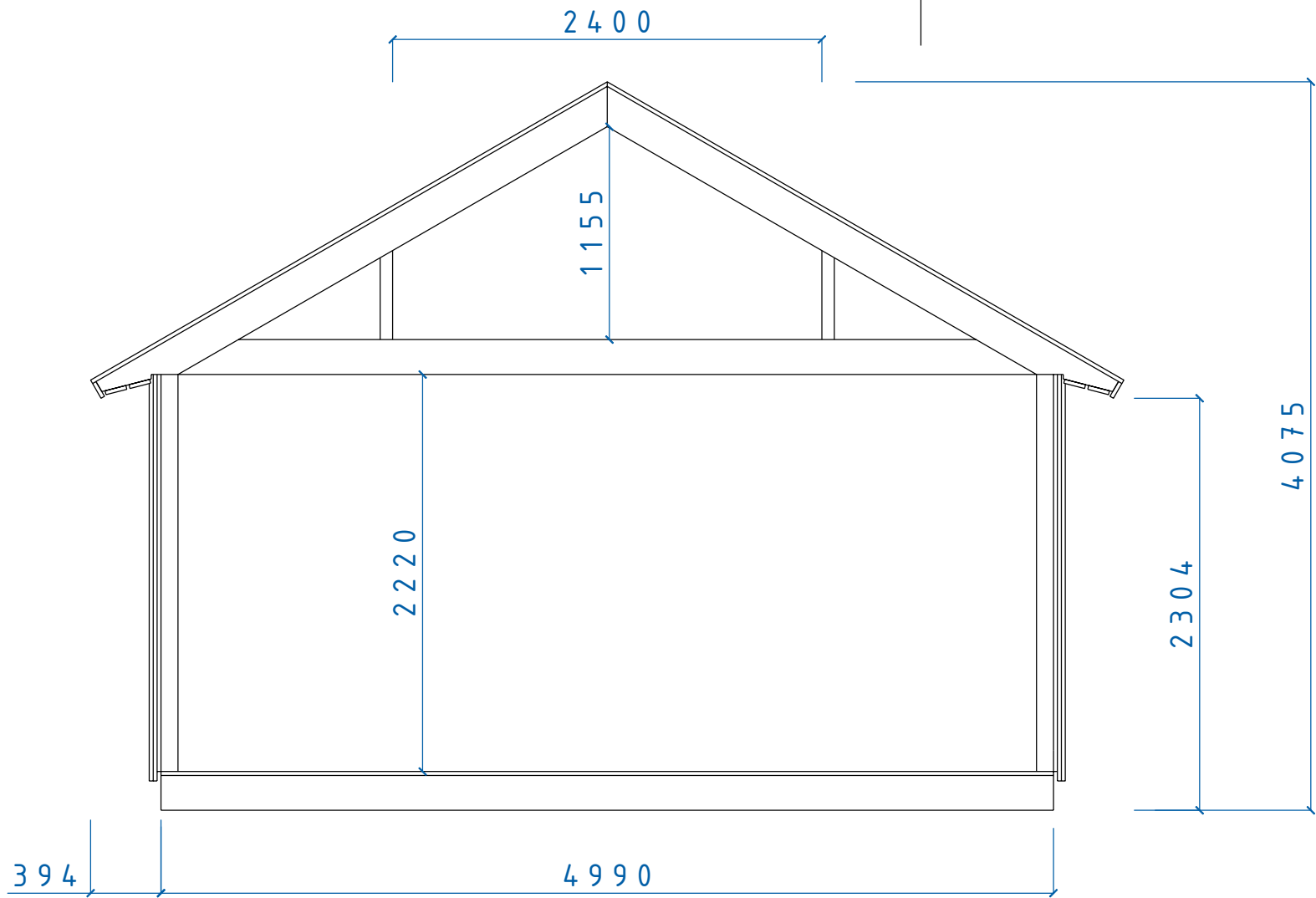
MARIEFRED
PLAN

SIZE	DATE	DWG NO.	REV
	060227	05100642	

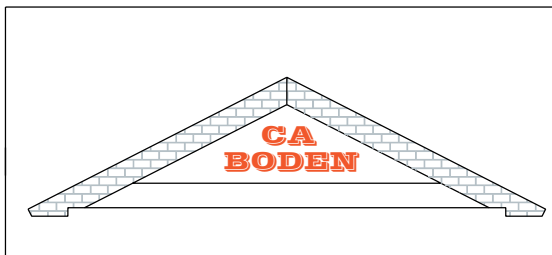
Fiskerigatan 11
871 39 Hålråsund

Christen Arrberg
Telef: 0705-984050

SCALE: Designed by: SMALÄNNING SHEET



REVISIONS				
ZONE	REV	DESCRIPTION	DATE	APPROVED



MEGA SERIE

SEKTION MEGA SERIEN
Tak 30° Sovloft

SIZE	DATE	DWG NO.	REV
	060204	05100451	