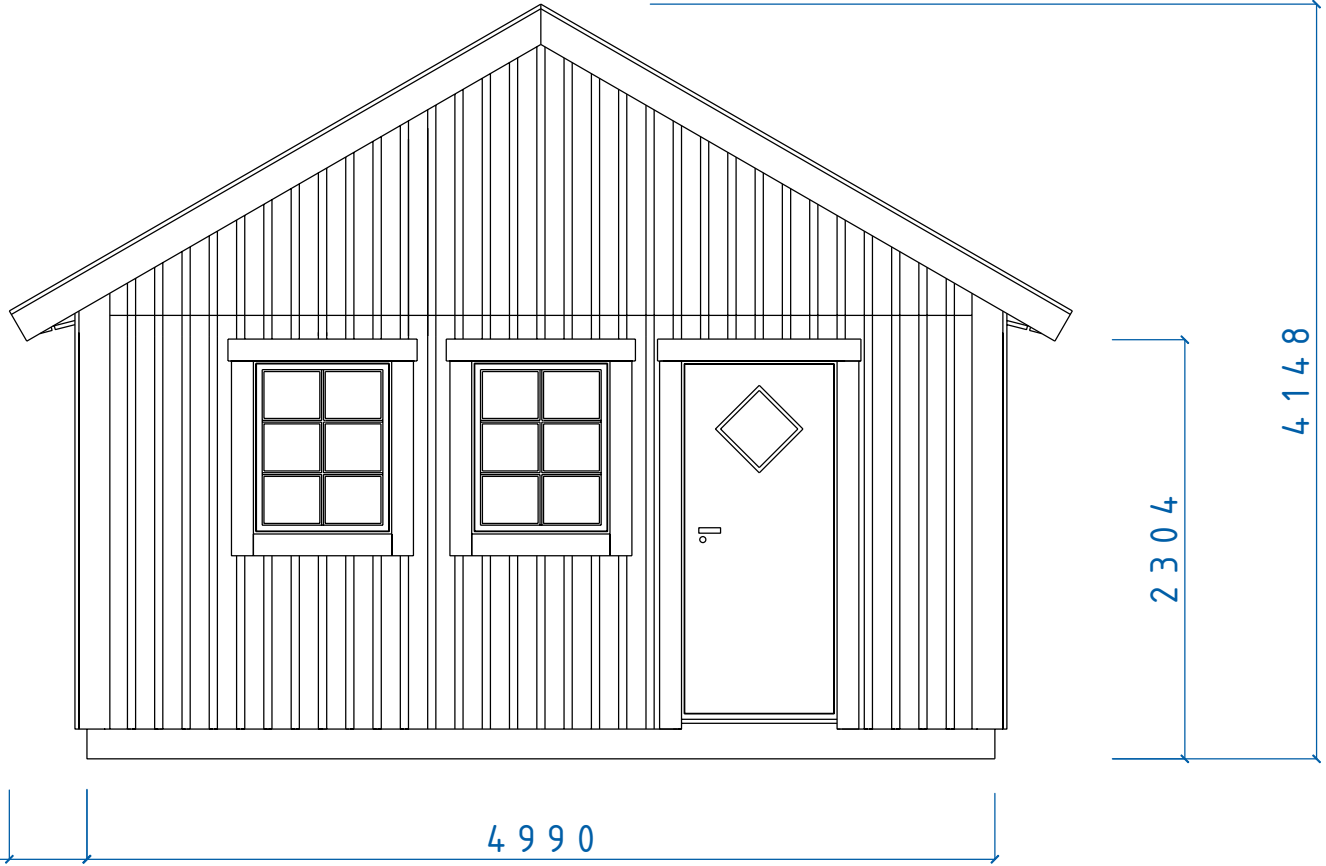
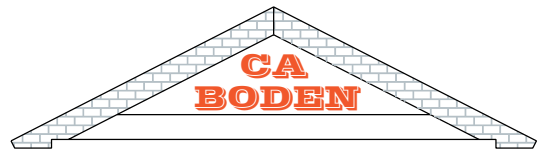


REVISIONS				
ZONE	REV	DESCRIPTION	DATE	APPROVED



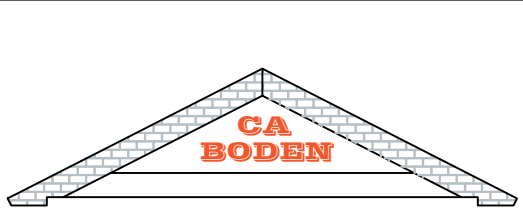
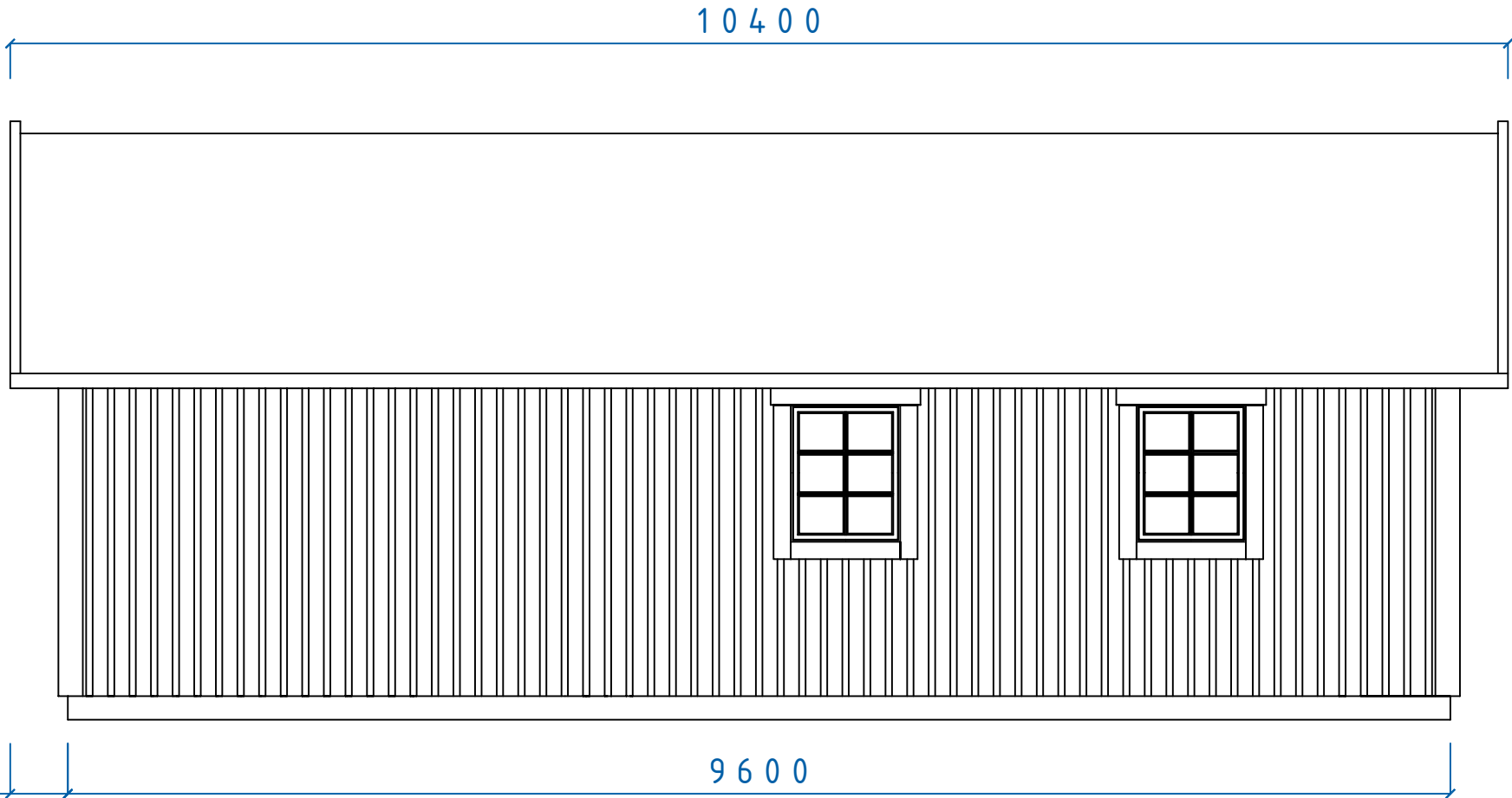
		MEGA SERIE		
		FASAD GAVEL FÖNSTER 8x10 DÖRR 9x20		
SIZE	DATE	DWG NO.	REV	
	060216	05100565		
SCALE	Designed by: SMÄLÄNNING		SHEET	

Fiskaregatan 11
871 39 Härnösand

www.cabodense
0611-21790

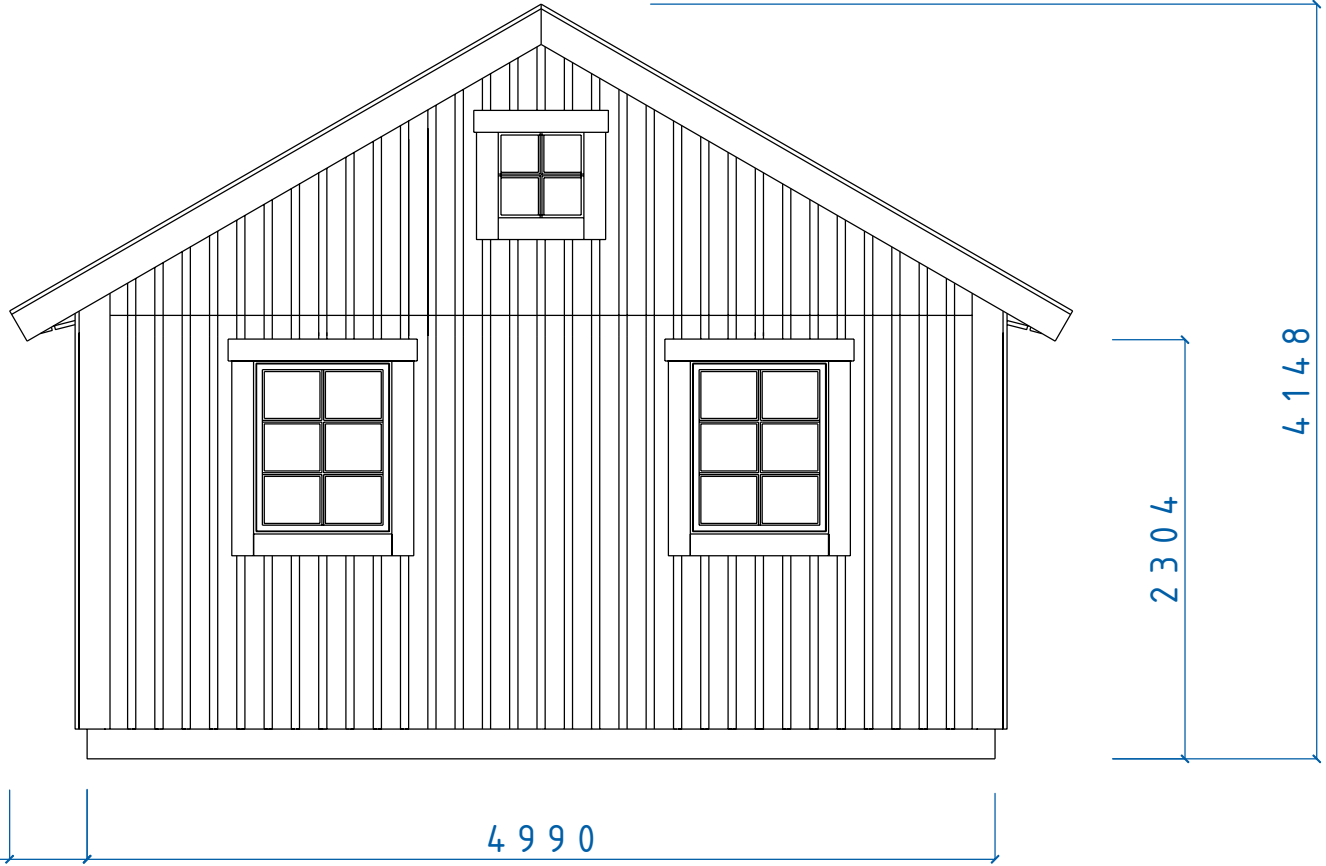
Christer Arnborg
Tete: 0705-984050

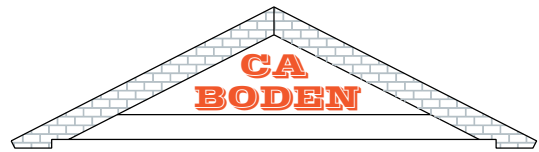
REVISIONS				
ZONE	REV	DESCRIPTION	DATE	APPROVED



MEGA SERIE			
ONSALA FASAD			
F 8 X10, TAK 30°			
SIZE	DATE	DWG NO.	REV
	060219	05100587	

REVISIONS				
ZONE	REV	DESCRIPTION	DATE	APPROVED



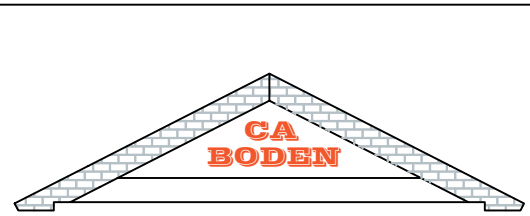
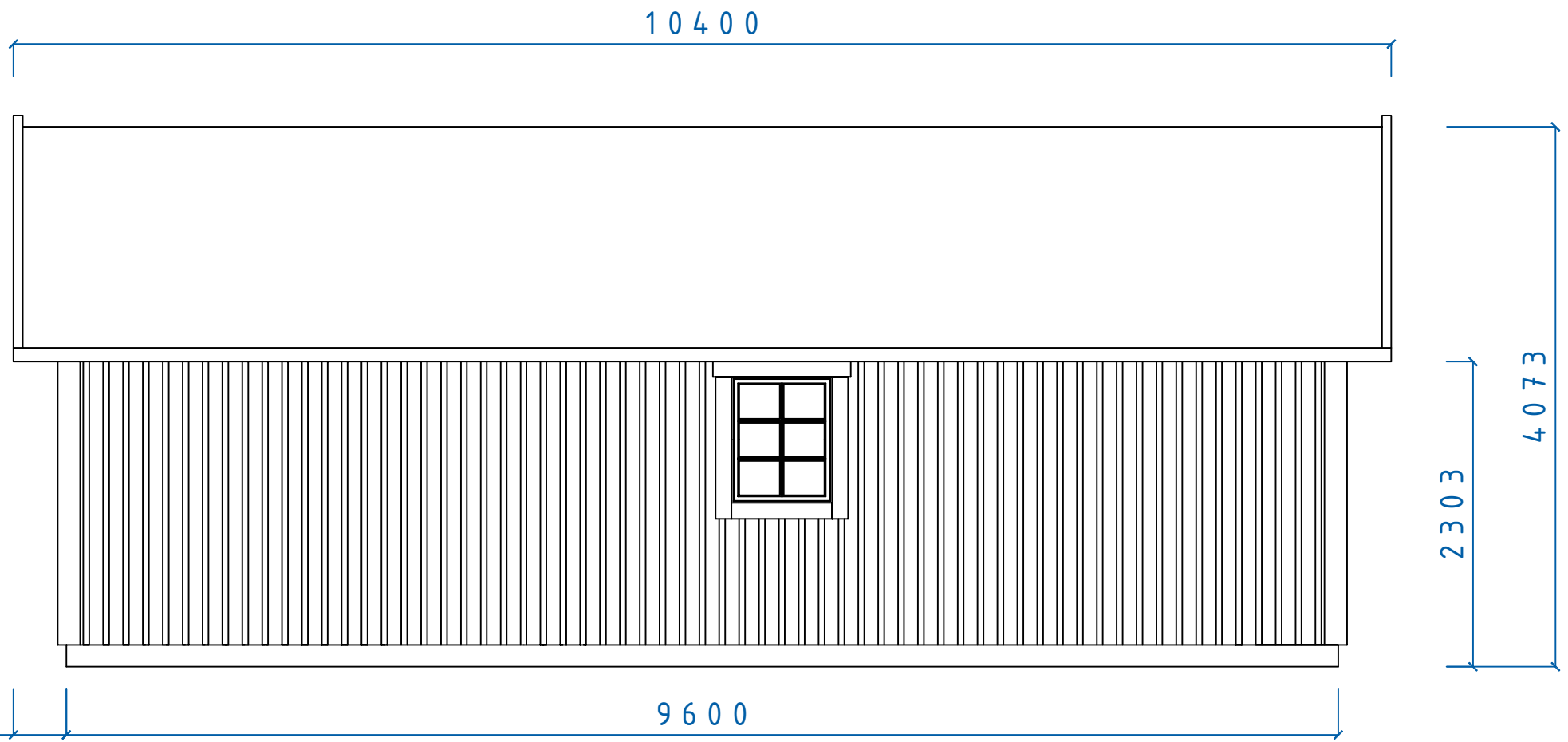
		MEGA SERIE		
		FASAD GAVEL FÖNSTER 8x10 5x5		
SIZE	DATE	DWG NO.	REV	
	060517	05100567		
SCALE	Designed by: SMÄLÄNNING		SHEET	

Fiskaregatan 11
871 39 Härnösand

www.cabodense
0611-21790

Christer Arnborg
Tele: 0705-984050

REVISIONS				
ZONE	REV	DESCRIPTION	DATE	APPROVED



MEGA SERIE

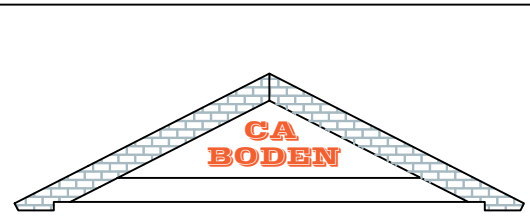
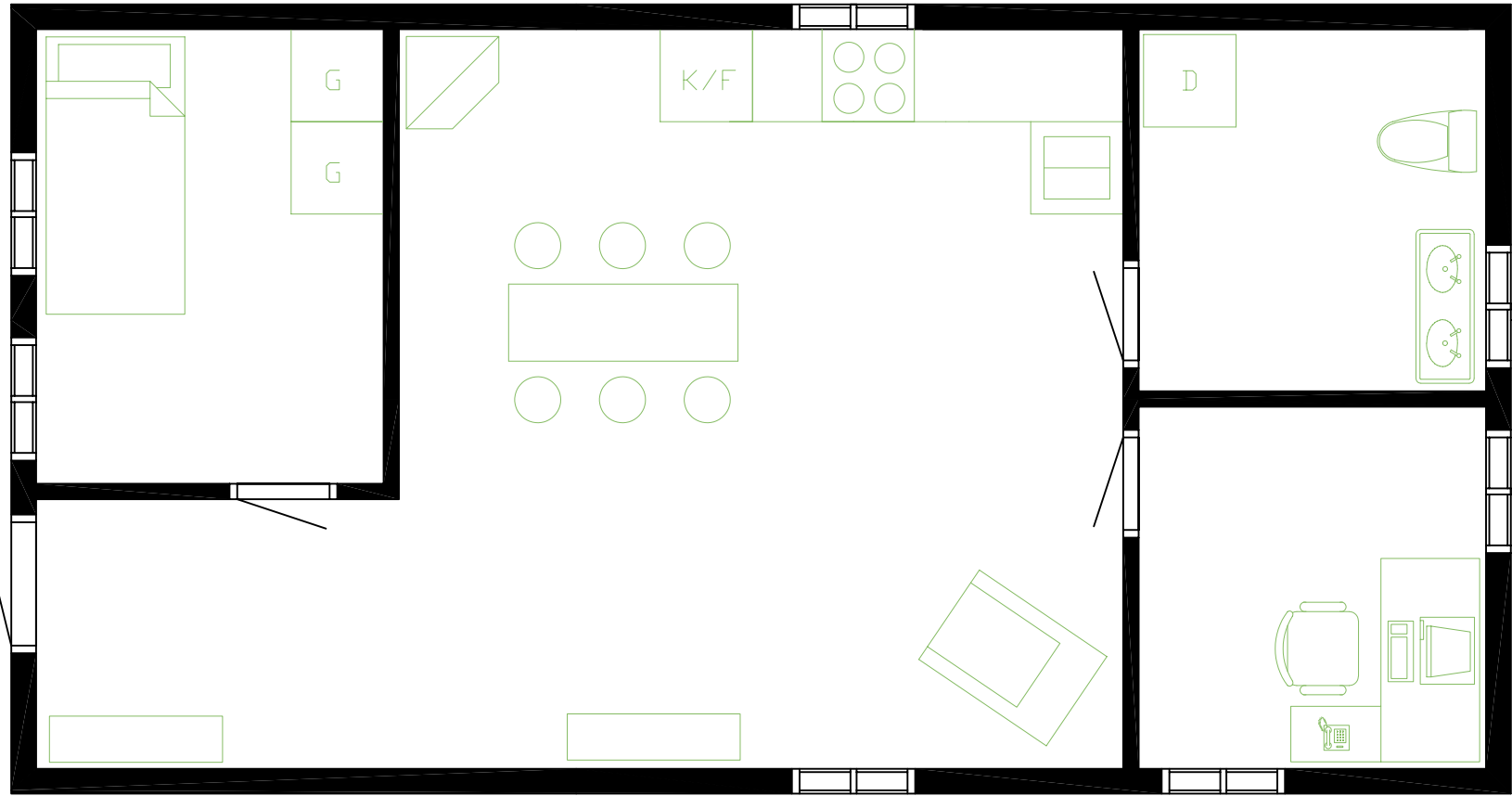
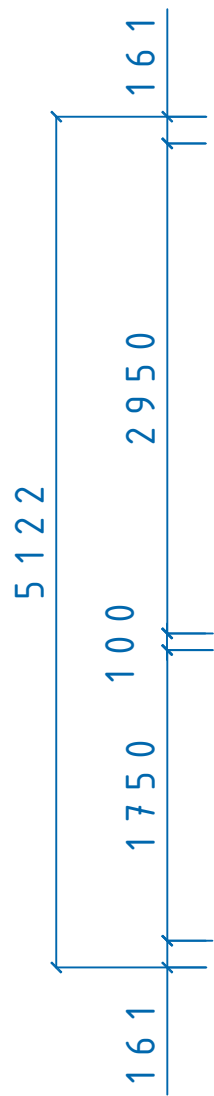
ONSALA FASAD
F 8x10 TAK 30°

SIZE	DATE	DWG NO.	REV
	060219	05100586	

ZONE		REV	DESCRIPTION	DATE	APPROVED
------	--	-----	-------------	------	----------

REVISIONS

9732



MEGA SERIE

ONSALA
PLAN

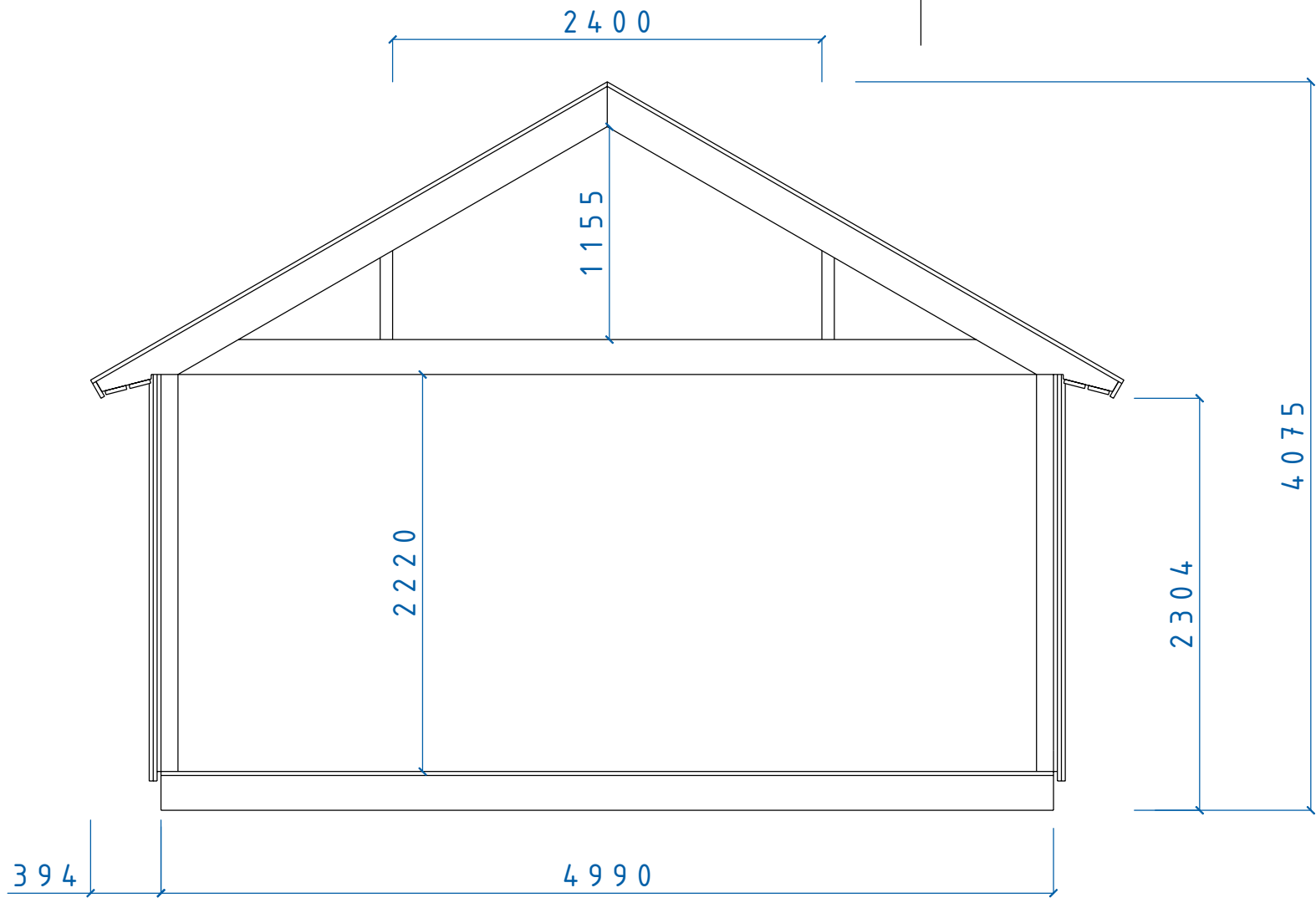
SIZE	DATE	DWG NO.	REV
	060219	05100590	

Fiskaregatan 11
871 39 Hårnäs

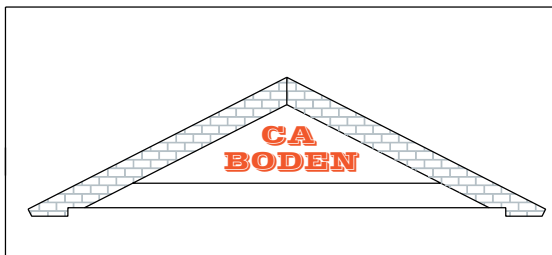
www.caboden.se
0611-21790

Christer Arrberg
Tele: 0705-984050

SCALE: Designed by: SMÅLÄNNING SHEET



REVISIONS				
ZONE	REV	DESCRIPTION	DATE	APPROVED



MEGA SERIE				
SEKTION MEGA SERIEN				
Tak 30° Sovloft				
SIZE	DATE	DWG NO.	REV	
	060204	05100451		