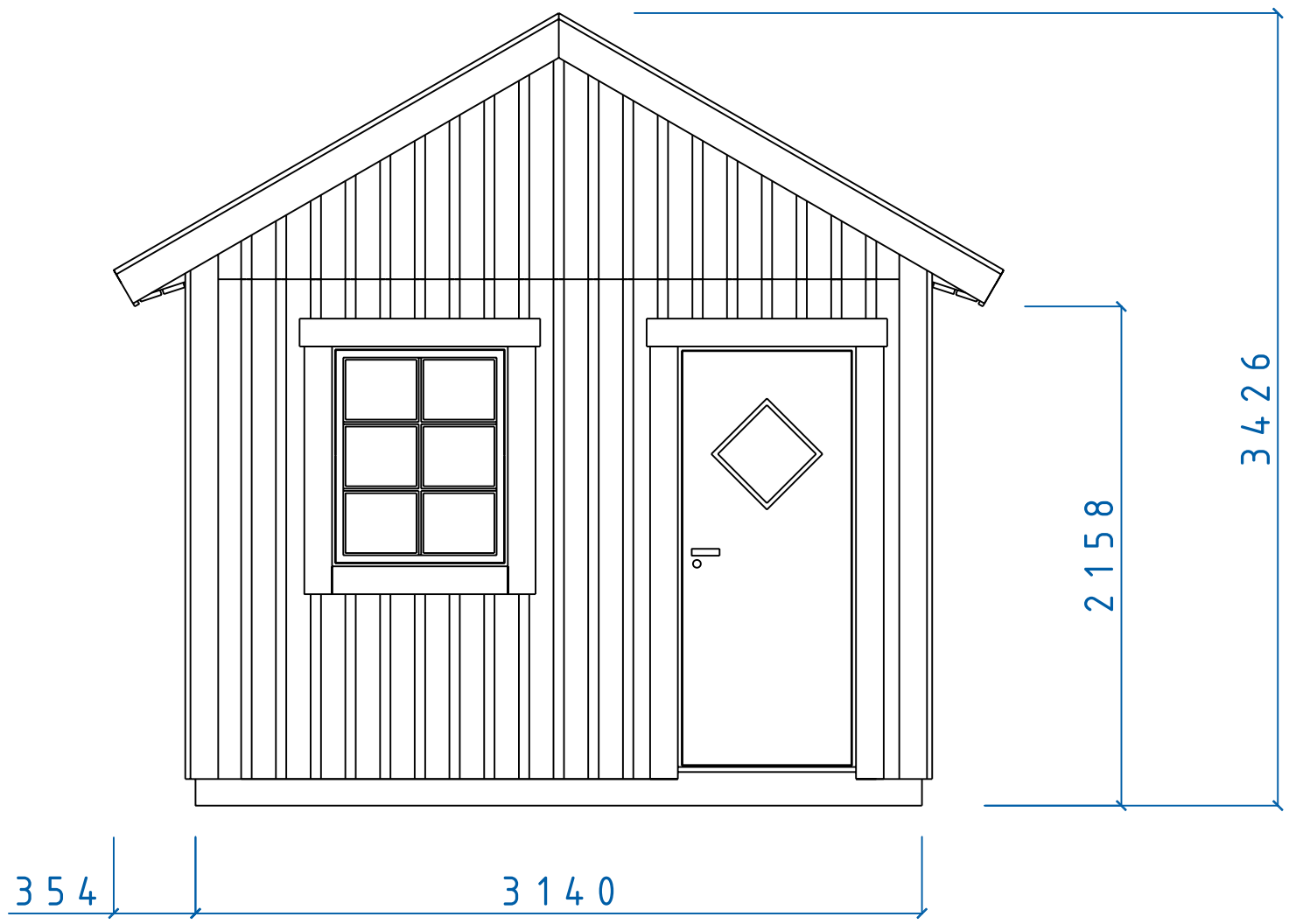


REVISIONS				
ZONE	REV	DESCRIPTION	DATE	APPROVED



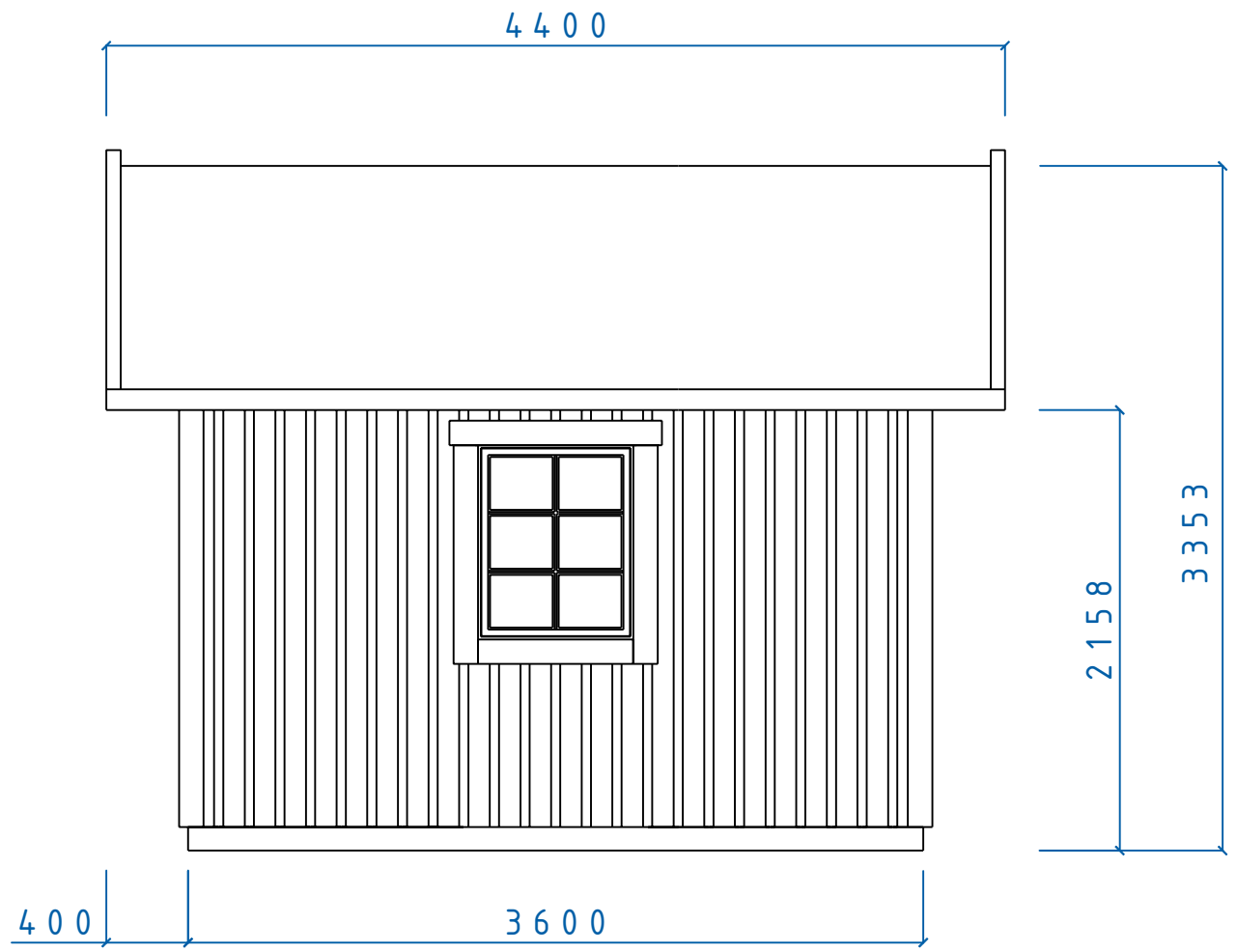
Fiskaregatan 11
871 39 Rörörsåsa

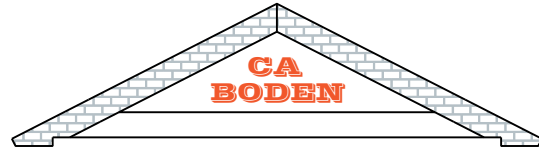
www.caboden.se
0611-21790

Christer Arnborg
Tele: 0705-984058

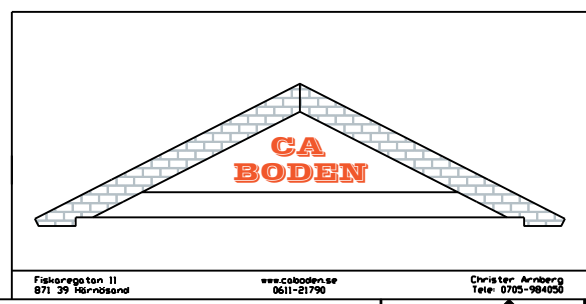
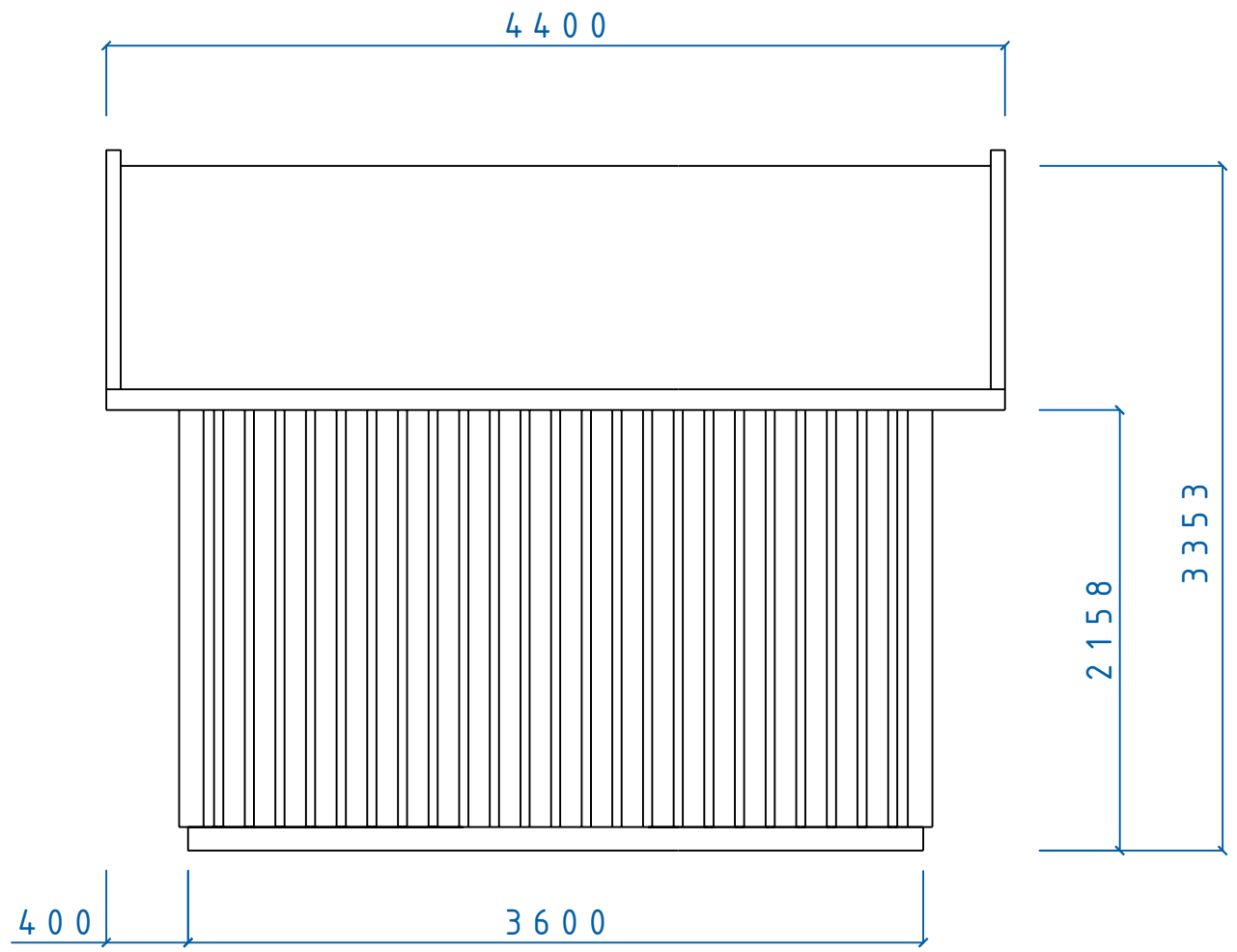
MIDI SERIE				
FASAD GAVEL				
F 8 x 10 D 8 x 19 TAK 30°				
SIZE	DATE	DWG NO.	REV	
060331		05100746		
SCALE	Designed by: SMÅLÄNNING		SHEET	

REVISIONS				
ZONE	REV	DESCRIPTION	DATE	APPROVED



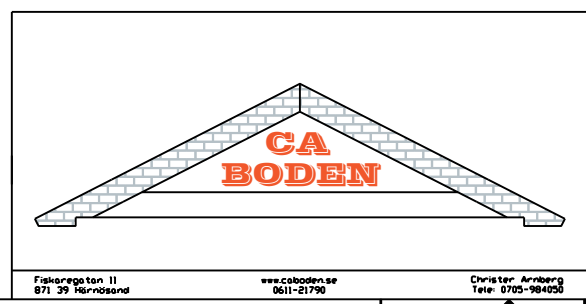
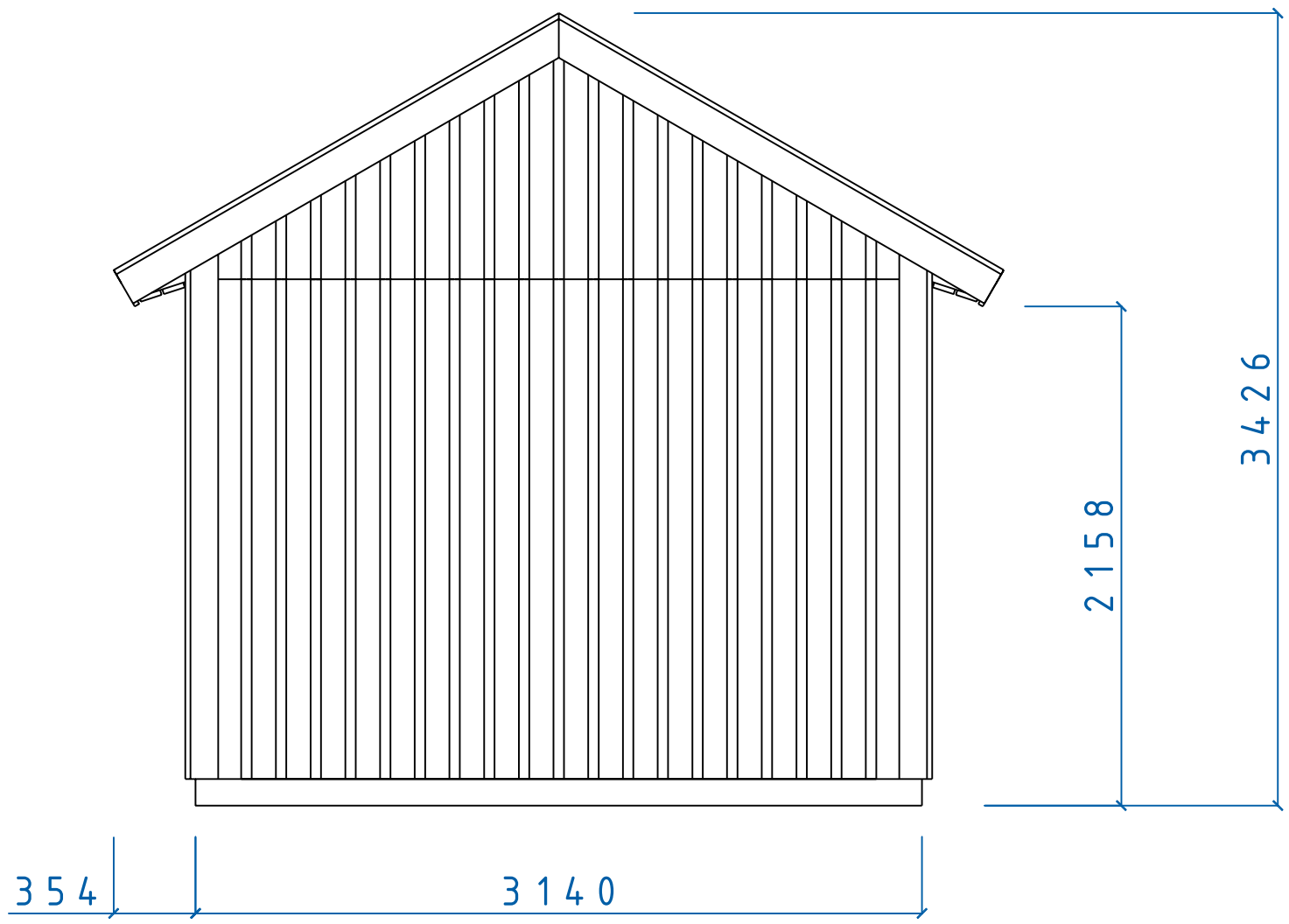
		MIDI SERIE		
		ORUST FASAD F8x10 TAK 30°		
SIZE	DATE	DWG NO.	REV	
	060403	05100764		
Fiskaregatan 11 871 39 Rörörsåsa		www.caboden.se 0611-21790	Christer Arnborg Tele: 0705-984050	
SCALE	Designed by: SMÅLÄNNING		SHEET	

REVISIONS				
ZONE	REV	DESCRIPTION	DATE	APPROVED



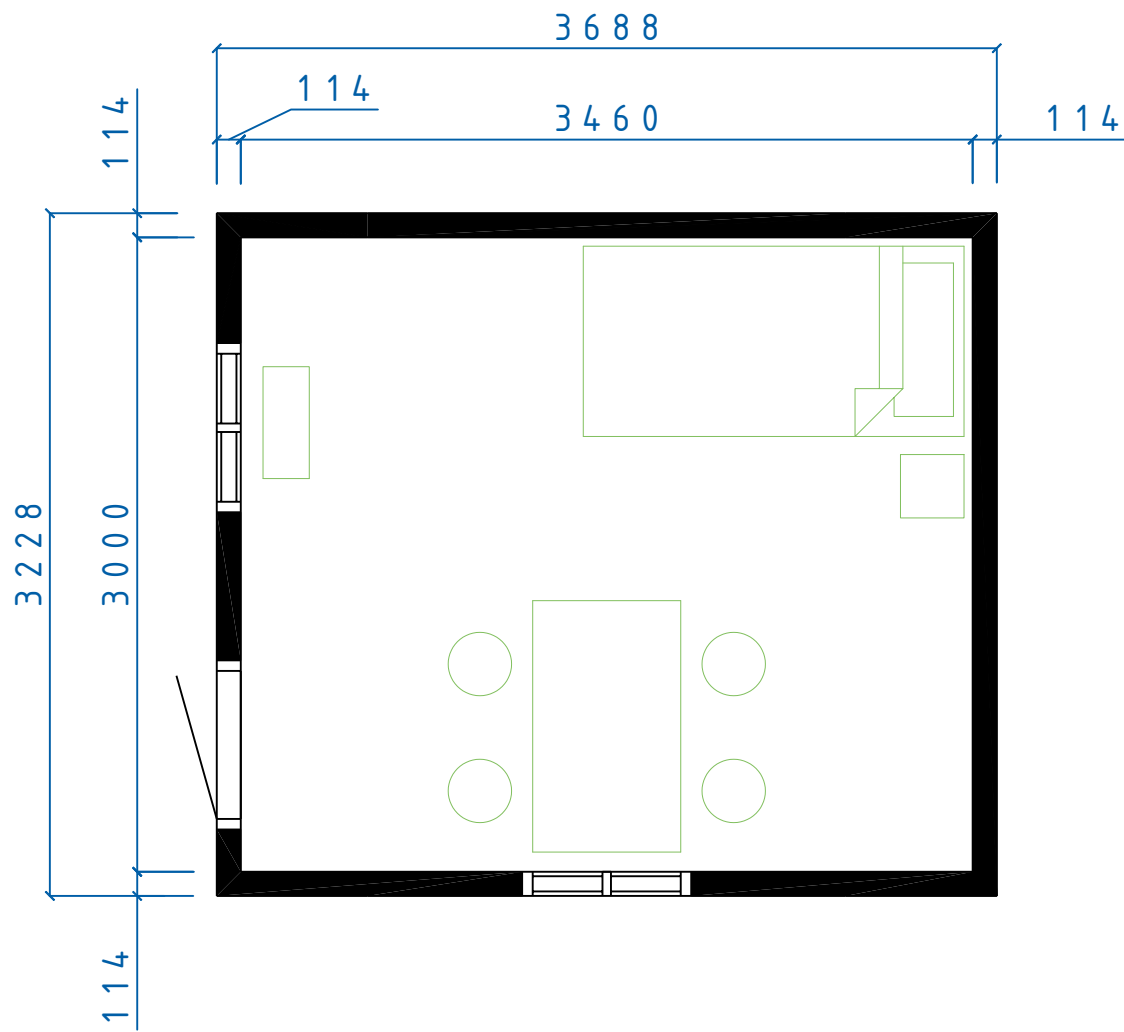
MIDI SERIE	
ORUST FASAD TAK 30°	
SIZE	DATE
060403	05100762
DWG NO.	REV
SCALE	Designed by: SMÅLÄNNING
	SHEET

REVISIONS				
ZONE	REV	DESCRIPTION	DATE	APPROVED



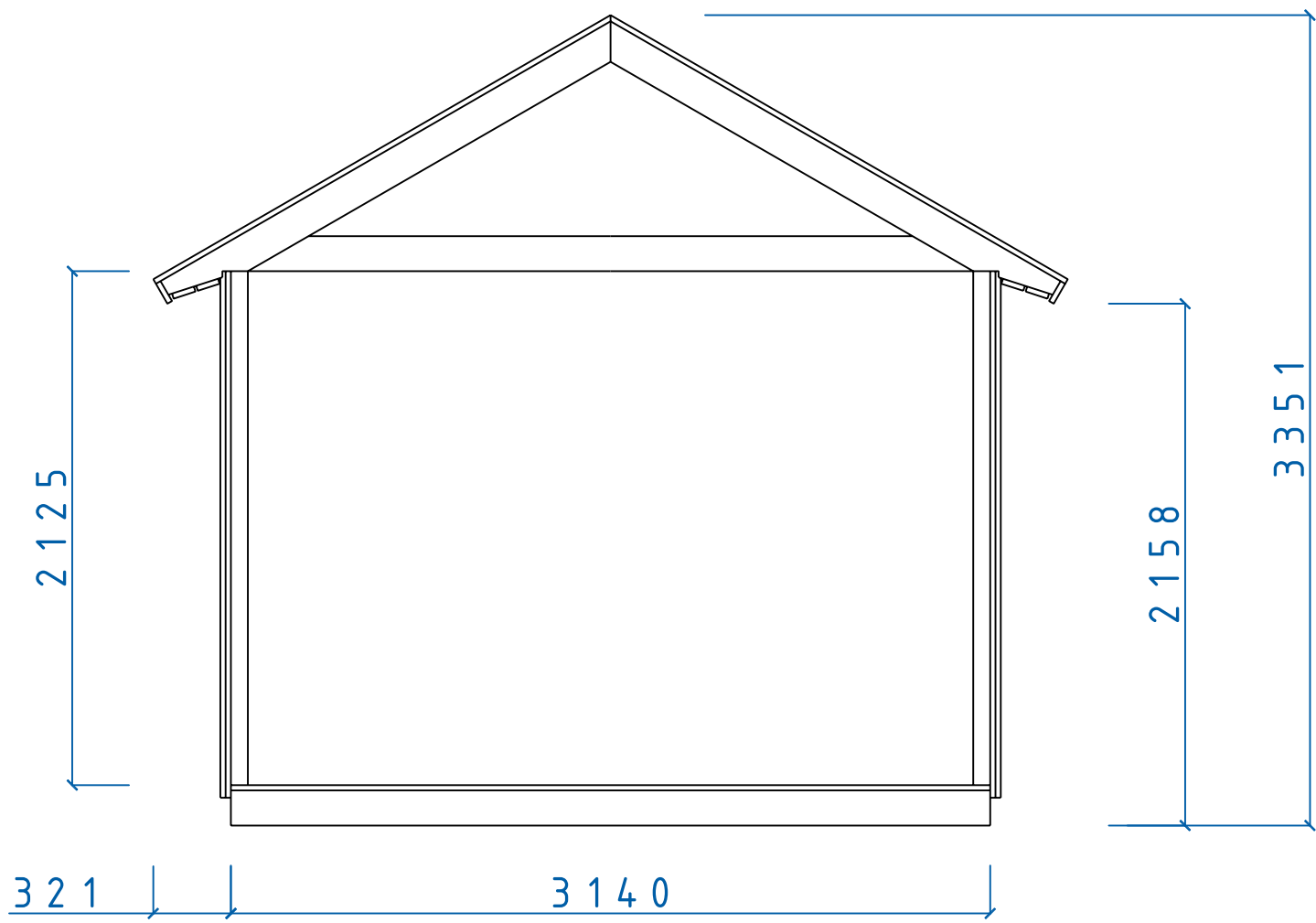
MIDI SERIE				
MIDI FASAD GAVEL				
SIZE	DATE	DWG NO.	REV	
	060214	05100545		
Fiskaregatan 11 871 39 Rörörsåsa		www.caboden.se 0611-21790		Christen Arberg Tele: 0705-984058
SCALE	Designed by: SMÅLÄNNING		SHEET	

REVISIONS				
ZONE	REV	DESCRIPTION	DATE	APPROVED



		MIDI SERIE		
		ORUST PLAN		
SIZE	DATE	DWG NO.	REV	
	060403	05100760		
Fiskaregatan 11 871 39 Rörörsåsa		www.caboden.se 0611-21790	Christer Arberg Tele: 0705-984050	
SCALE	Designed by: SMÅLÄNNING		SHEET	

REVISIONS				
ZONE	REV	DESCRIPTION	DATE	APPROVED



		MIDI SERIE		
		MIDI SEKTION		
SIZE	DATE	DWG NO.	REV	
	060214	05100546		
Fiskaregatan 11 871 39 Rörörsåsa		www.caboden.se 0611-21790	Christen Arberg Tele: 0705-984050	SCALE
Designed by: SMÅLÄNNING			SHEET	