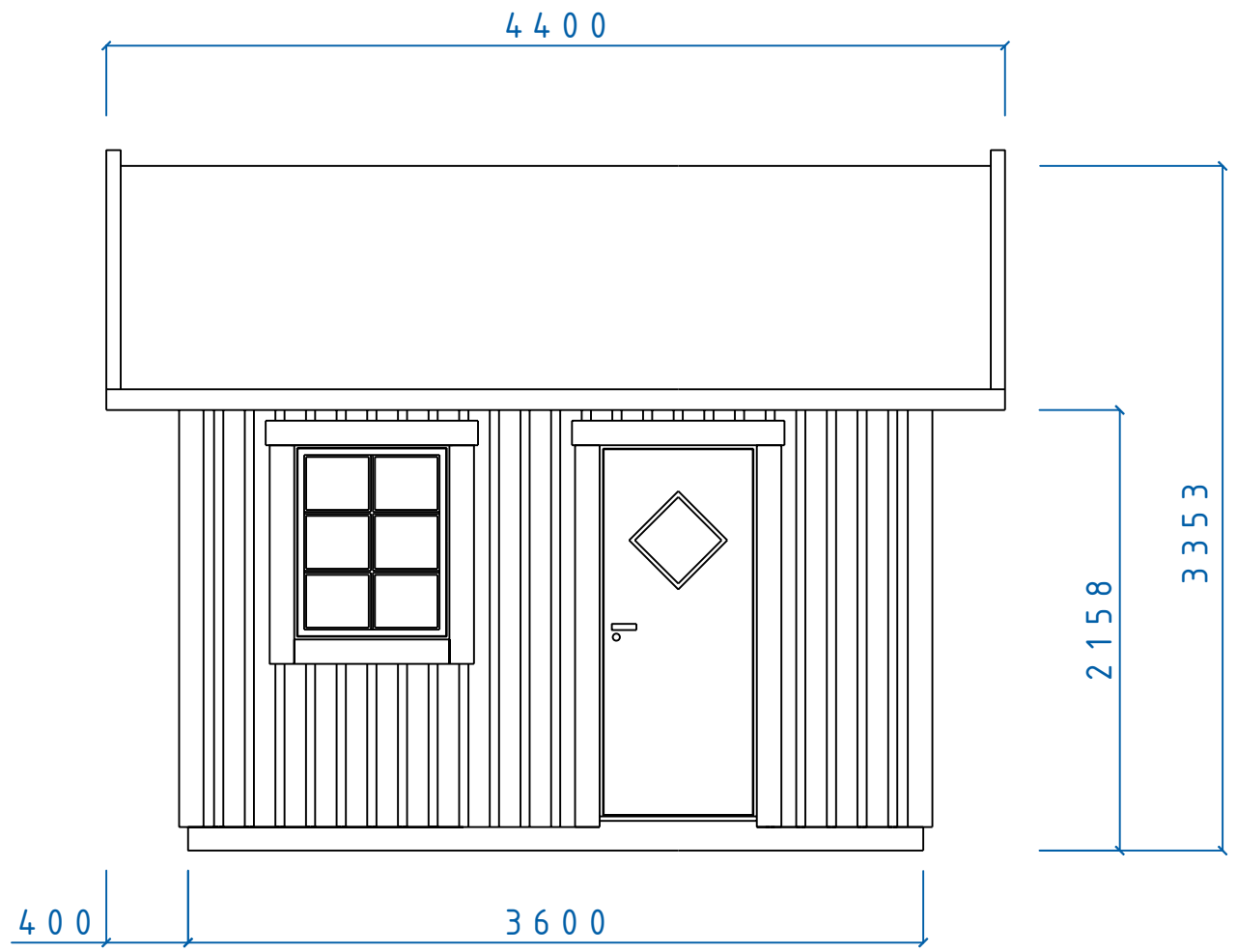
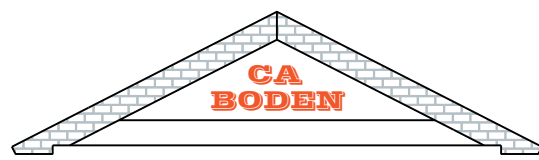
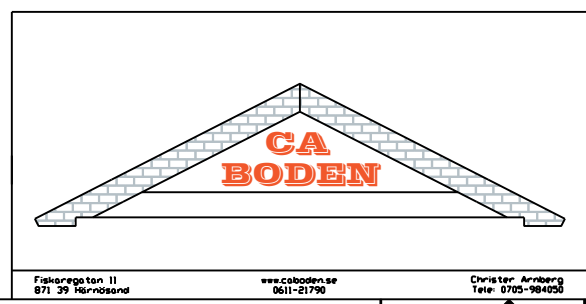
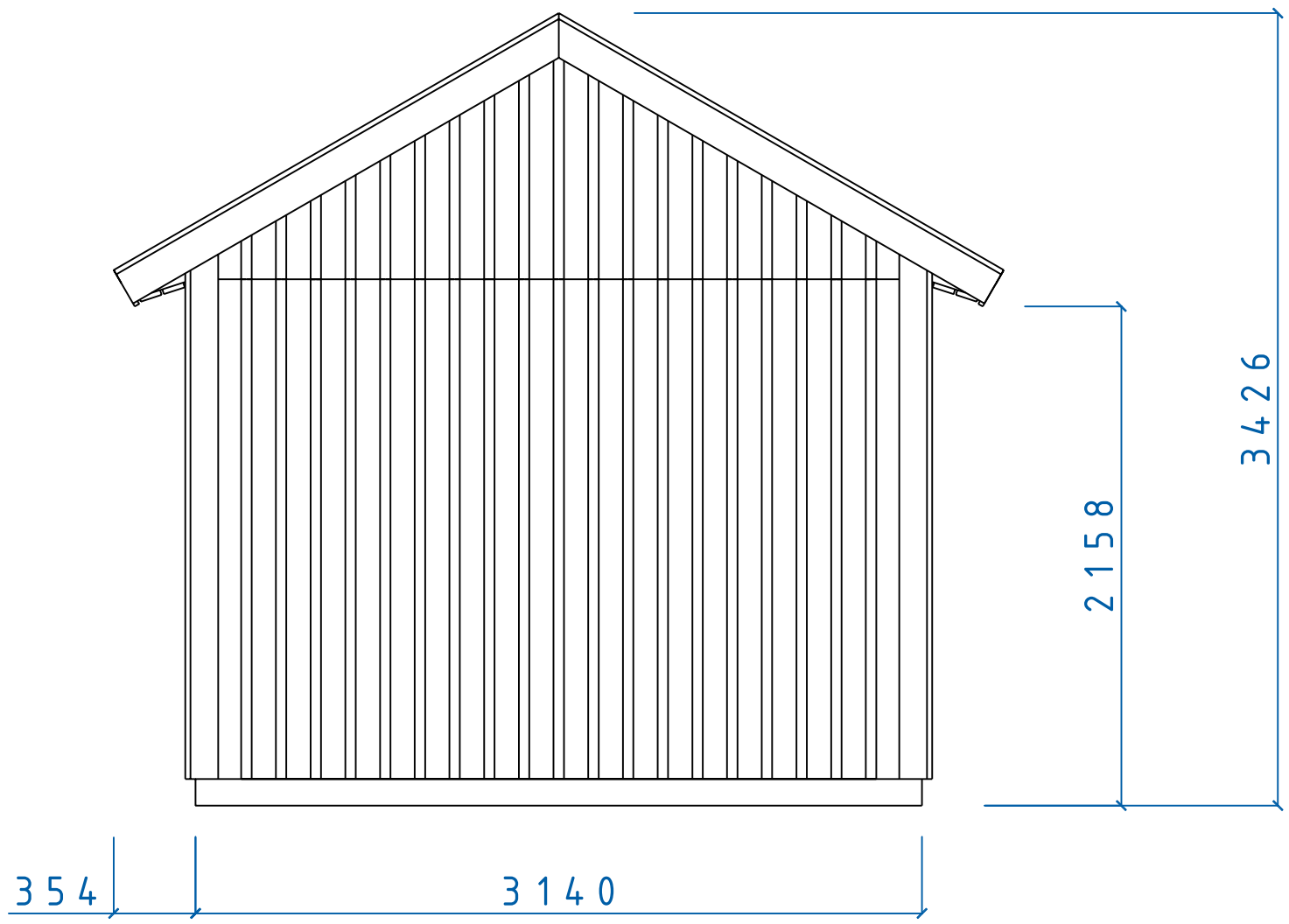


REVISIONS				
ZONE	REV	DESCRIPTION	DATE	APPROVED



		MIDI SERIE	
		ORUST FASAD	
		F8x10 D8x19 TAK 30°	
SIZE	DATE	DWG NO.	REV
	060403	05100763	
Fiskaregatan 11 871 39 Rörörsåsa		www.caboden.se 0611-21790	Christer Arnborg Tele: 0705-984050
SCALE	Designed by: SMÅLÄNNING		SHEET

REVISIONS				
ZONE	REV	DESCRIPTION	DATE	APPROVED



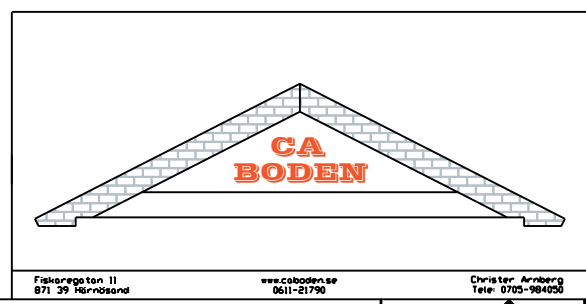
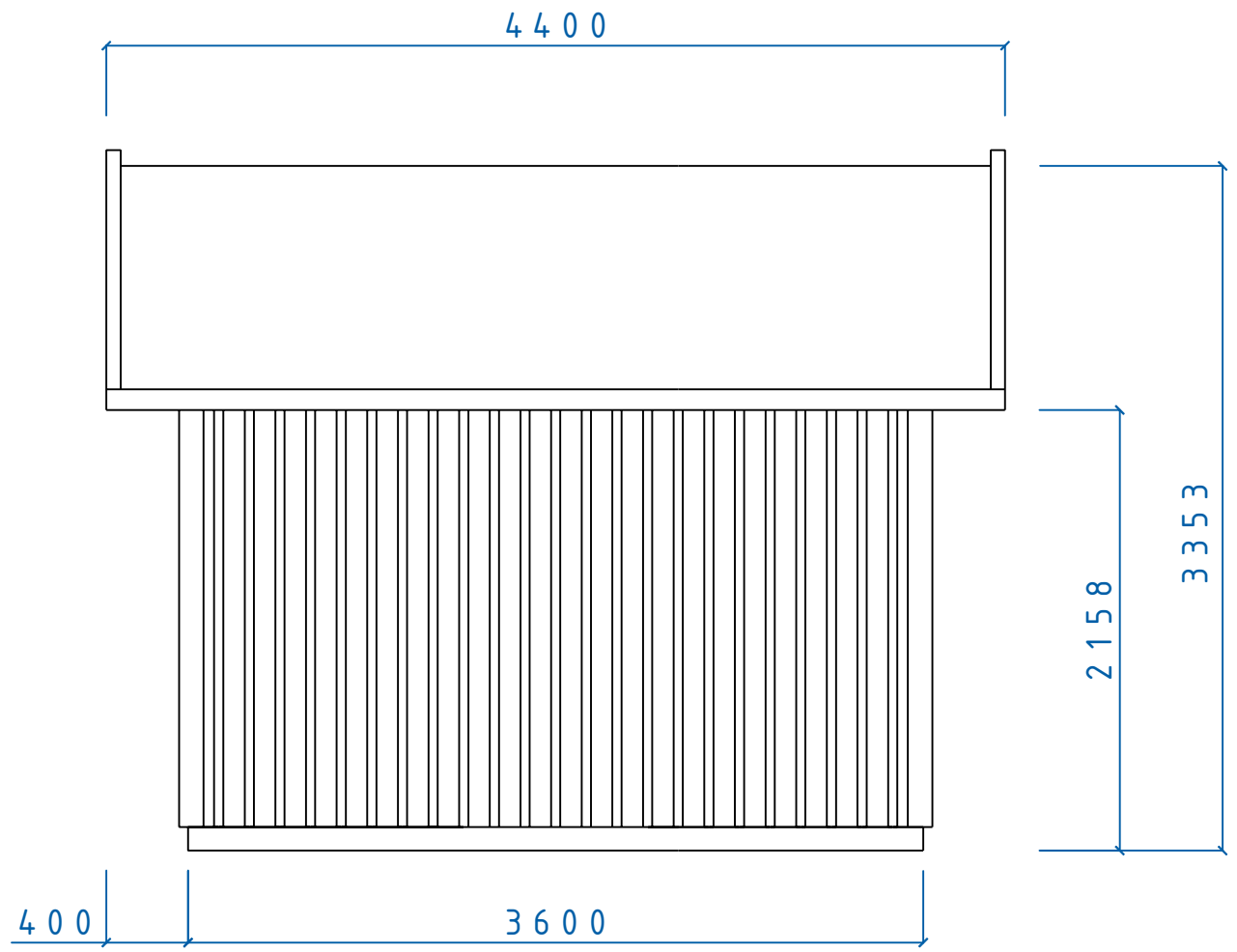
MIDI SERIE				
MIDI FASAD GAVEL				
SIZE	DATE	DWG NO.	REV	
	060214	05100545		
SCALE	Designed by: SMÅLÄNNING		SHEET	

Fiskaregatan 11
871 39 Rörörsåsa

www.caboden.se
0611-21790

Christen Arnborg
Tele: 0705-984058

REVISIONS				
ZONE	REV	DESCRIPTION	DATE	APPROVED



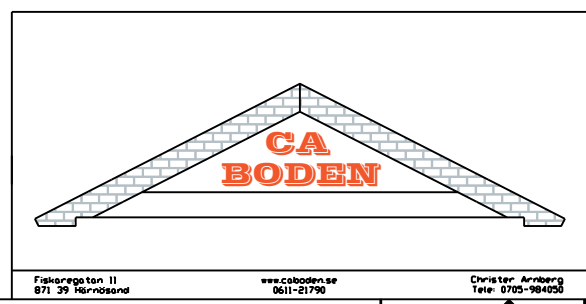
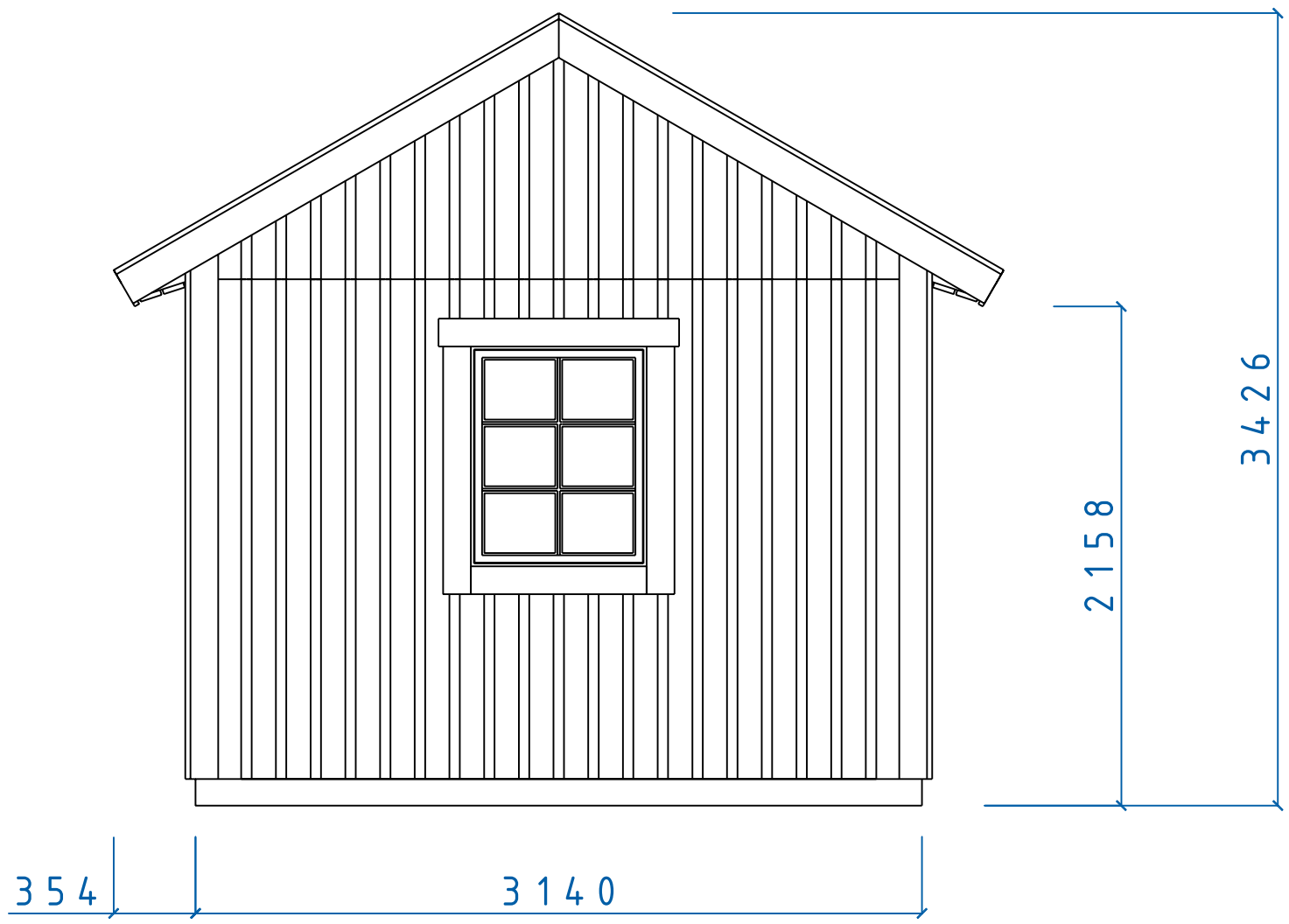
MIDI SERIE	
ORUST FASAD TAK 30°	
SIZE	DATE
060403	05100762
DWG NO.	REV
05100762	
SCALE	Designed by: SMÅLÄNNING
	SHEET

Fiskaregatan 11
871 39 Rörörsåsa

www.caboden.se
0611-21790

Christer Arnborg
Tele: 0705-984050

REVISIONS				
ZONE	REV	DESCRIPTION	DATE	APPROVED



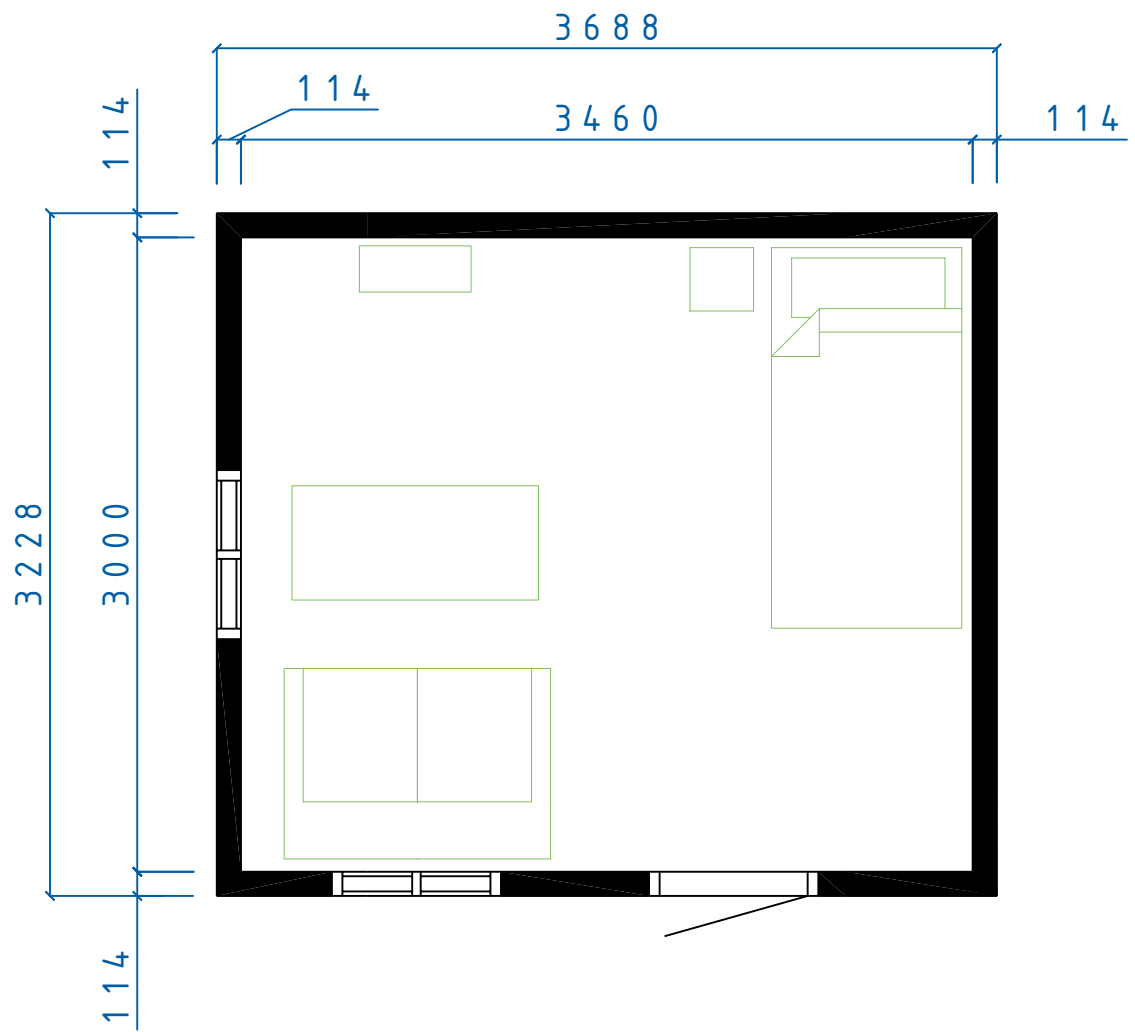
MIDI SERIE				
MIDI FASAD GAVEL F8x10				
SIZE	DATE	DWG NO.	REV	
	060214	05100552		
SCALE	Designed by: SMÅLÄNNING		SHEET	

Fiskaregatan 11
871 39 Rörörsåsa

www.caboden.se
0611-21790

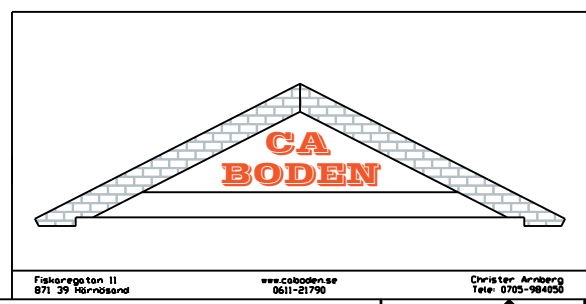
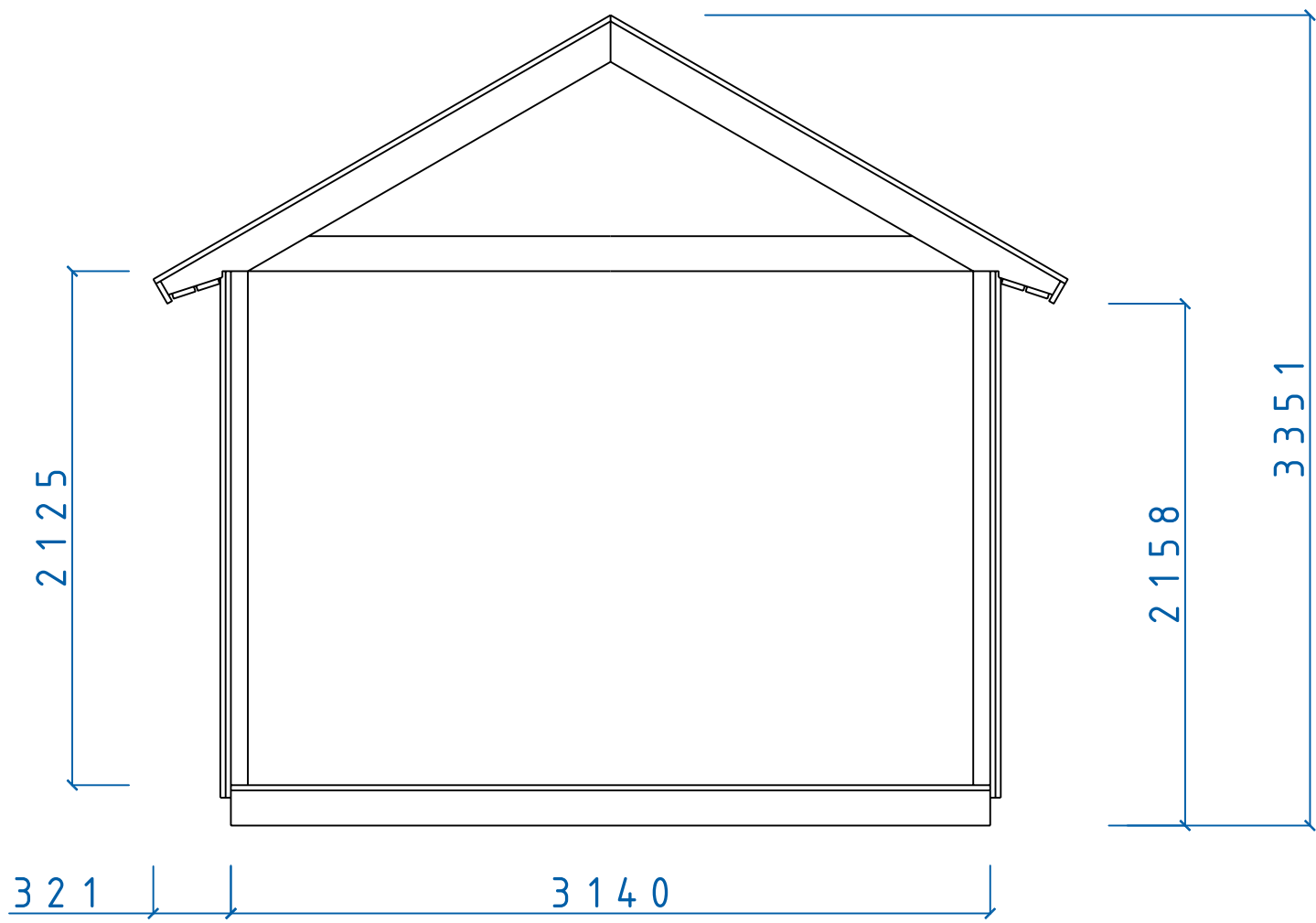
Christer Arnborg
Tele: 0705-984058

REVISIONS				
ZONE	REV	DESCRIPTION	DATE	APPROVED



		MIDI SERIE		
		ORUST PLAN		
SIZE	DATE	DWG NO.	REV	
	060403	05100761		
Fiskaregatan 11 871 39 Rörörsåsa		www.caboden.se 0611-21790	Christer Arnborg Tele: 0705-984050	
SCALE	Designed by: SMÅLÄNNING		SHEET	

REVISIONS				
ZONE	REV	DESCRIPTION	DATE	APPROVED



MIDI SERIE				
MIDI SEKTION				
SIZE	DATE	DWG NO.	REV	
	060214	05100546		
SCALE		Designed by: SMÅLÄNNING		SHEET

Fiskaregatan 11
871 39 Rörörsåsa

www.caboden.se
0611-21790

Christer Arnborg
Tele: 0705-984050