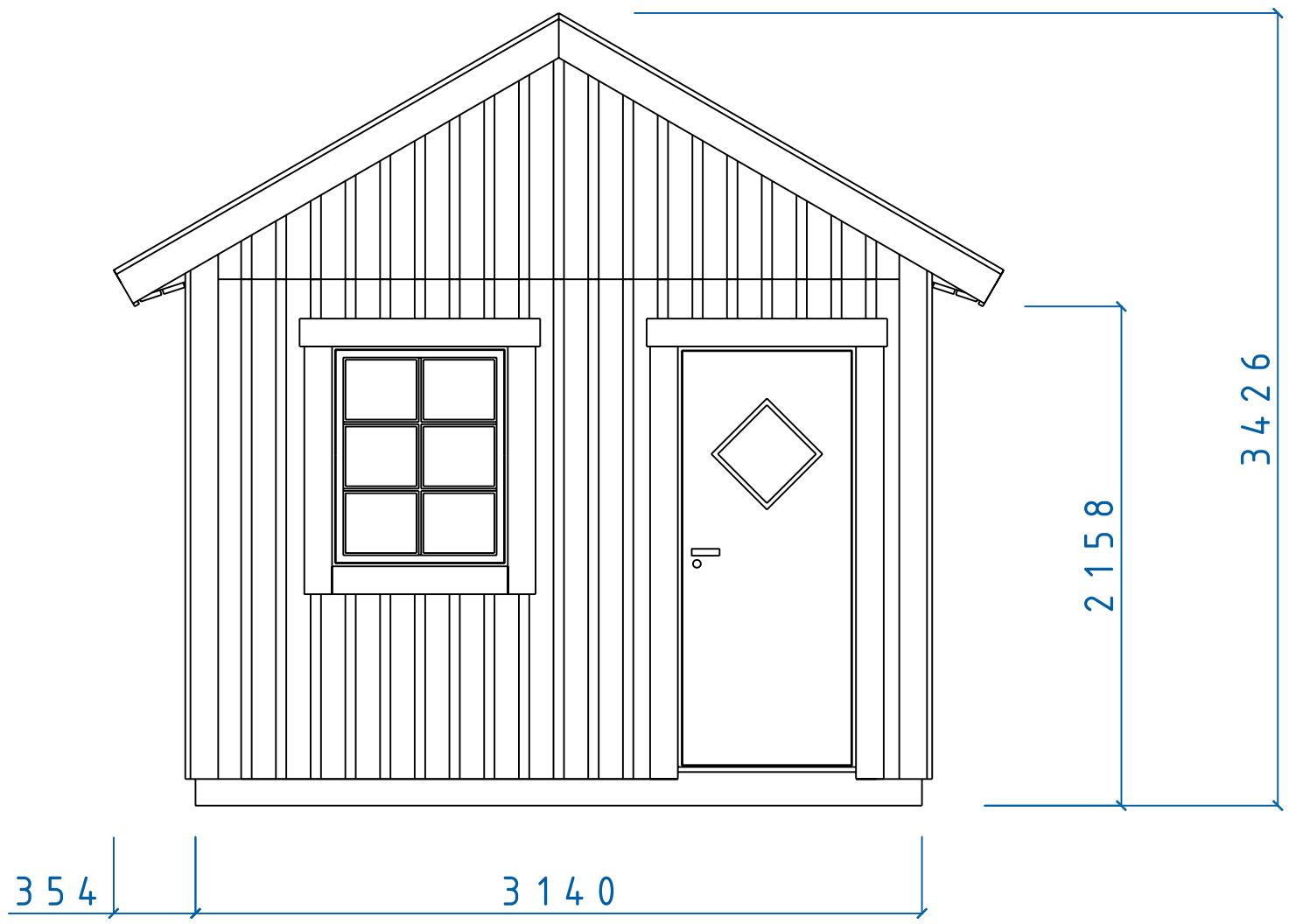
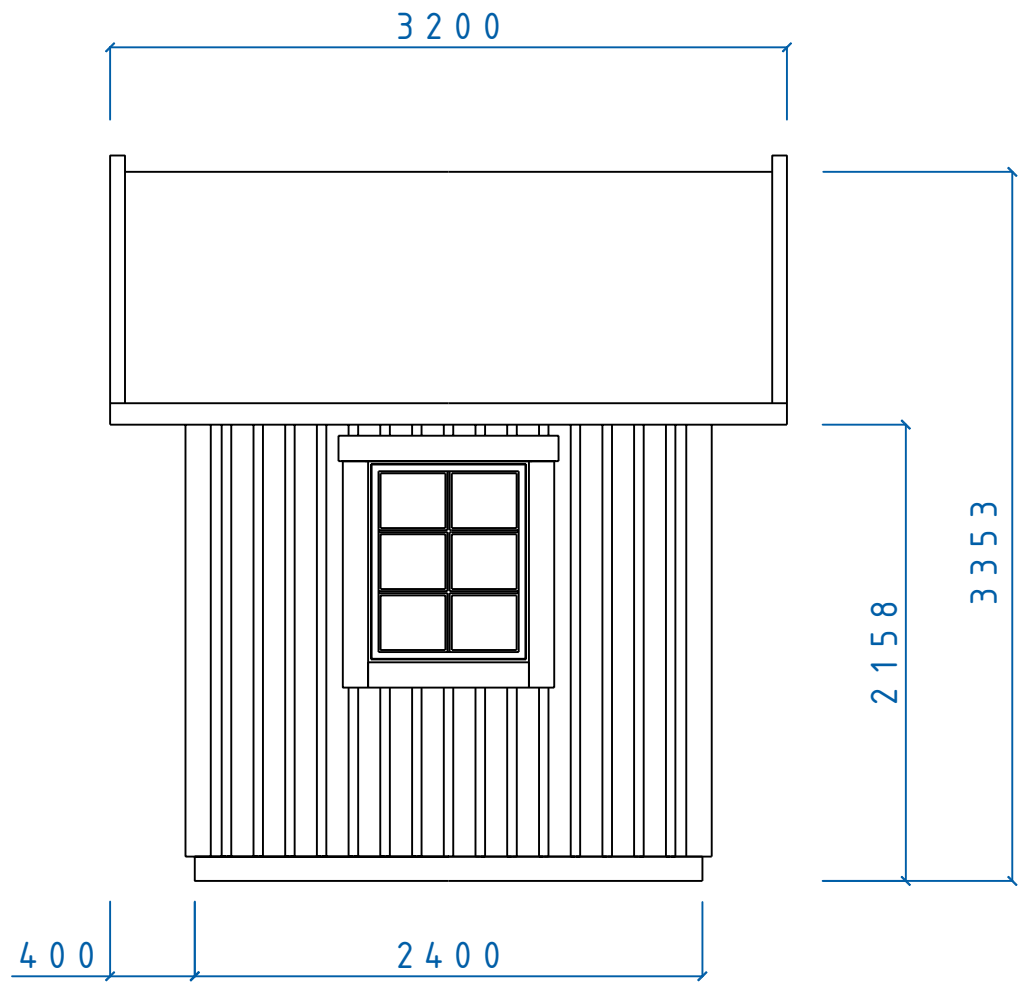


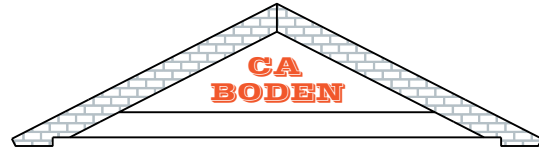
REVISIONS				
ZONE	REV	DESCRIPTION	DATE	APPROVED



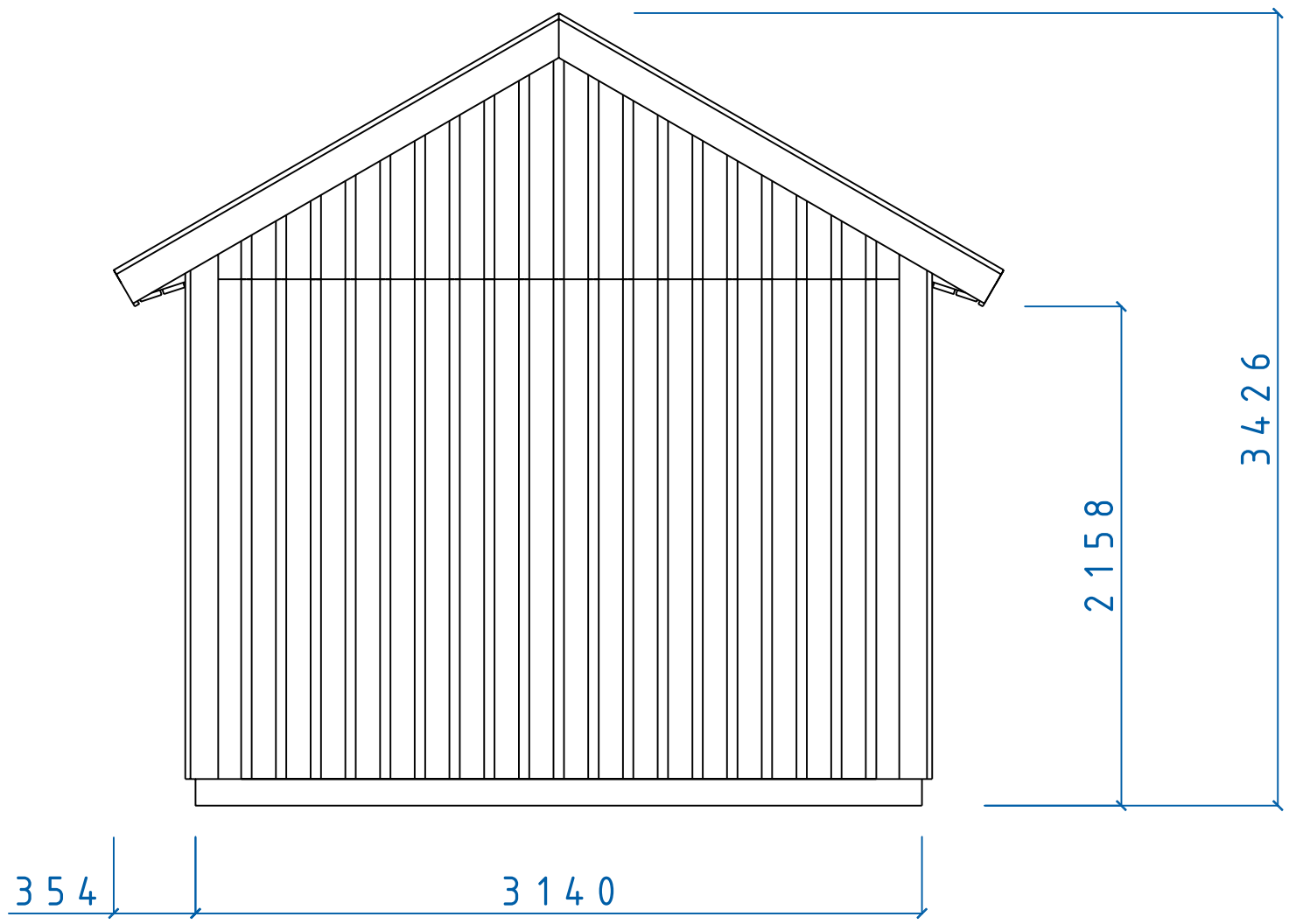
		MIDI SERIE		
		FASAD GAVEL F 8 x 10 D 8 x 19 TAK 30°		
SIZE	DATE	DWG NO.	REV	
	060331	05100746		
Fiskaregatan 11 871 39 Rörörsåsa		www.caboden.se 0611-21790	Christer Arnborg Tele: 0705-984058	
SCALE	Designed by: SMÅLÄNNING		SHEET	

REVISIONS				
ZONE	REV	DESCRIPTION	DATE	APPROVED



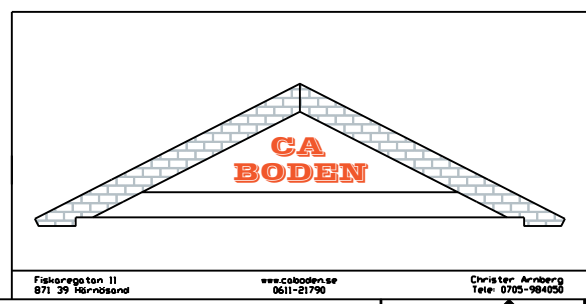
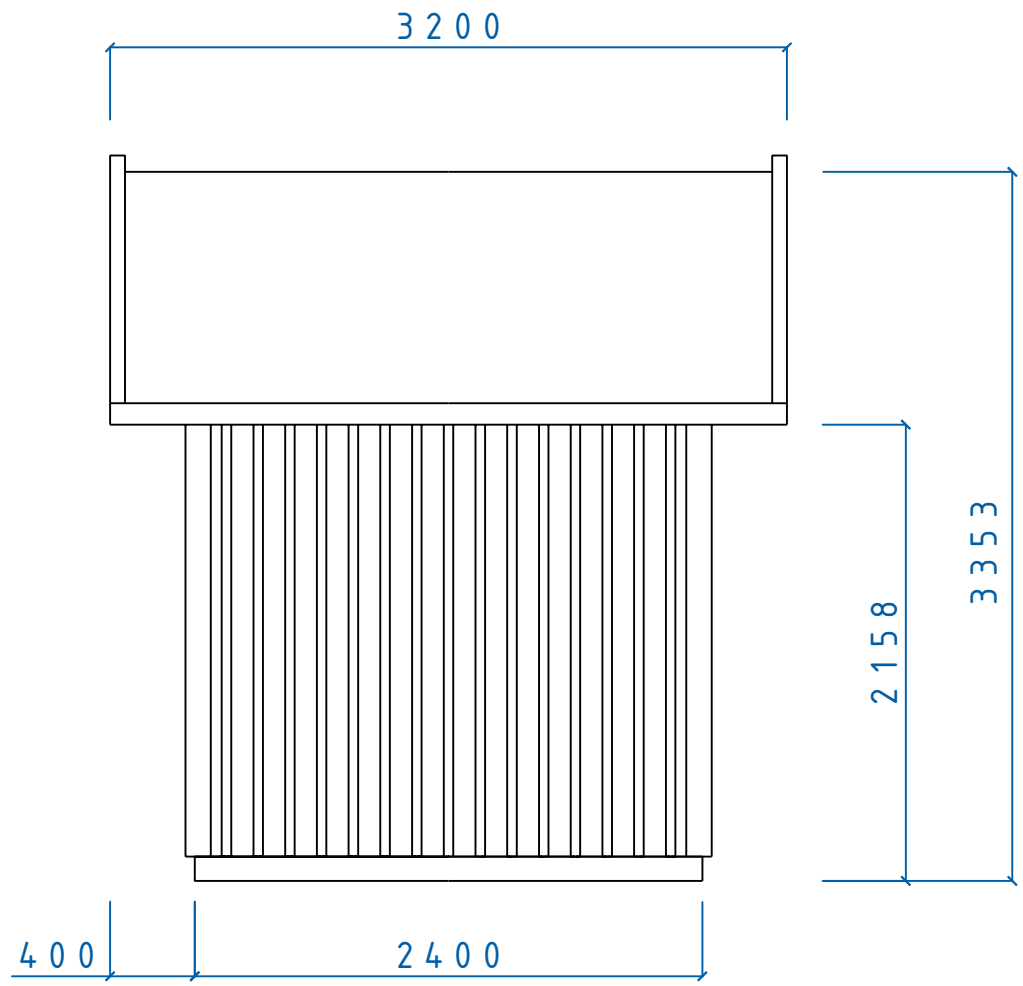
		MIDI SERIE		
		SMÅLAND FASAD F8x10 TAK 30°		
SIZE	DATE	DWG NO.	REV	
	060403	05100768		
Fiskaregatan 11 871 39 Rörörsåsa		www.caboden.se 0611-21790	Christer Arnborg Tele: 0705-984050	
SCALE	Designed by: SMÅLÄNNING		SHEET	

REVISIONS				
ZONE	REV	DESCRIPTION	DATE	APPROVED



		MIDI SERIE		
		MIDI FASAD GAVEL		
SIZE	DATE	DWG NO.	REV	
	060214	05100545		
Fiskaregatan 11 871 39 Rörörsåsa		www.caboden.se 0611-21790	Christen Arnborg Tele: 0705-984058	
SCALE	Designed by: SMÅLÄNNING		SHEET	

REVISIONS				
ZONE	REV	DESCRIPTION	DATE	APPROVED

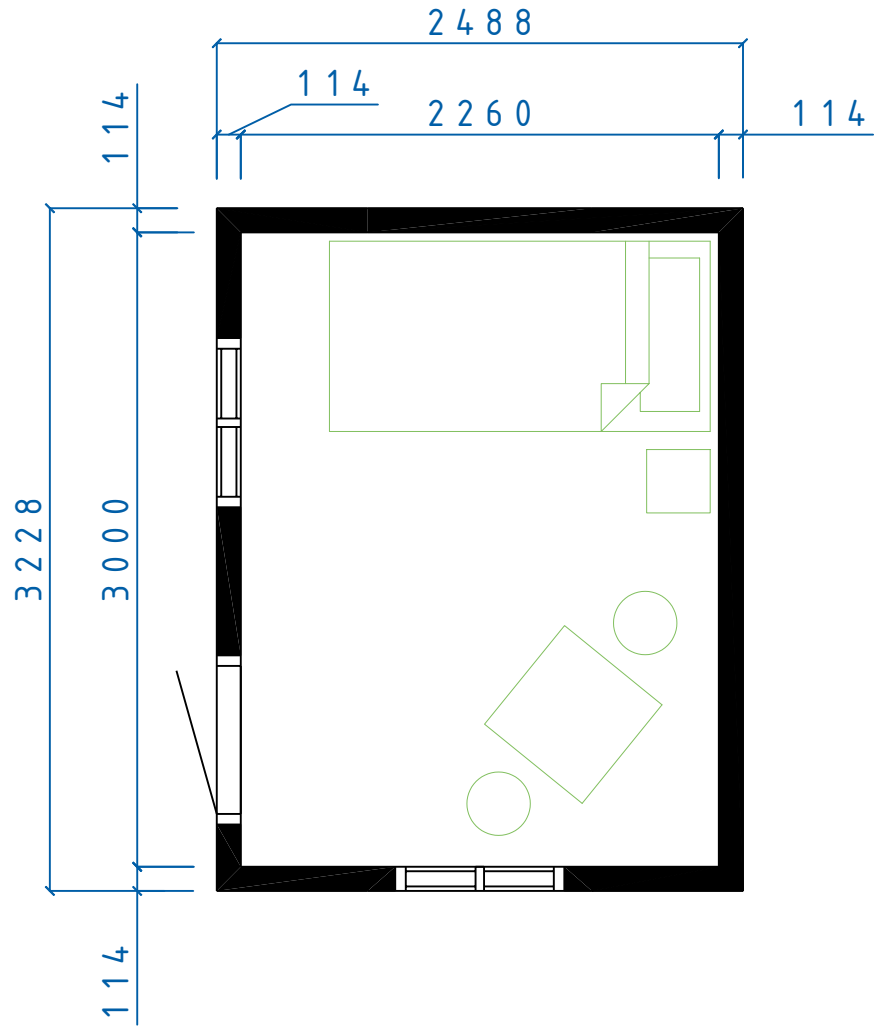


MIDI SERIE			
SMÅLAND FASAD			
TAK 30°			
SIZE	DATE	DWG NO.	REV
060403		05100767	
SCALE	Designed by: SMÅLÄNNING		SHEET

Fiskaregatan 11  
871 39 Rörörsåsa

www.caboden.se  
0611-21790

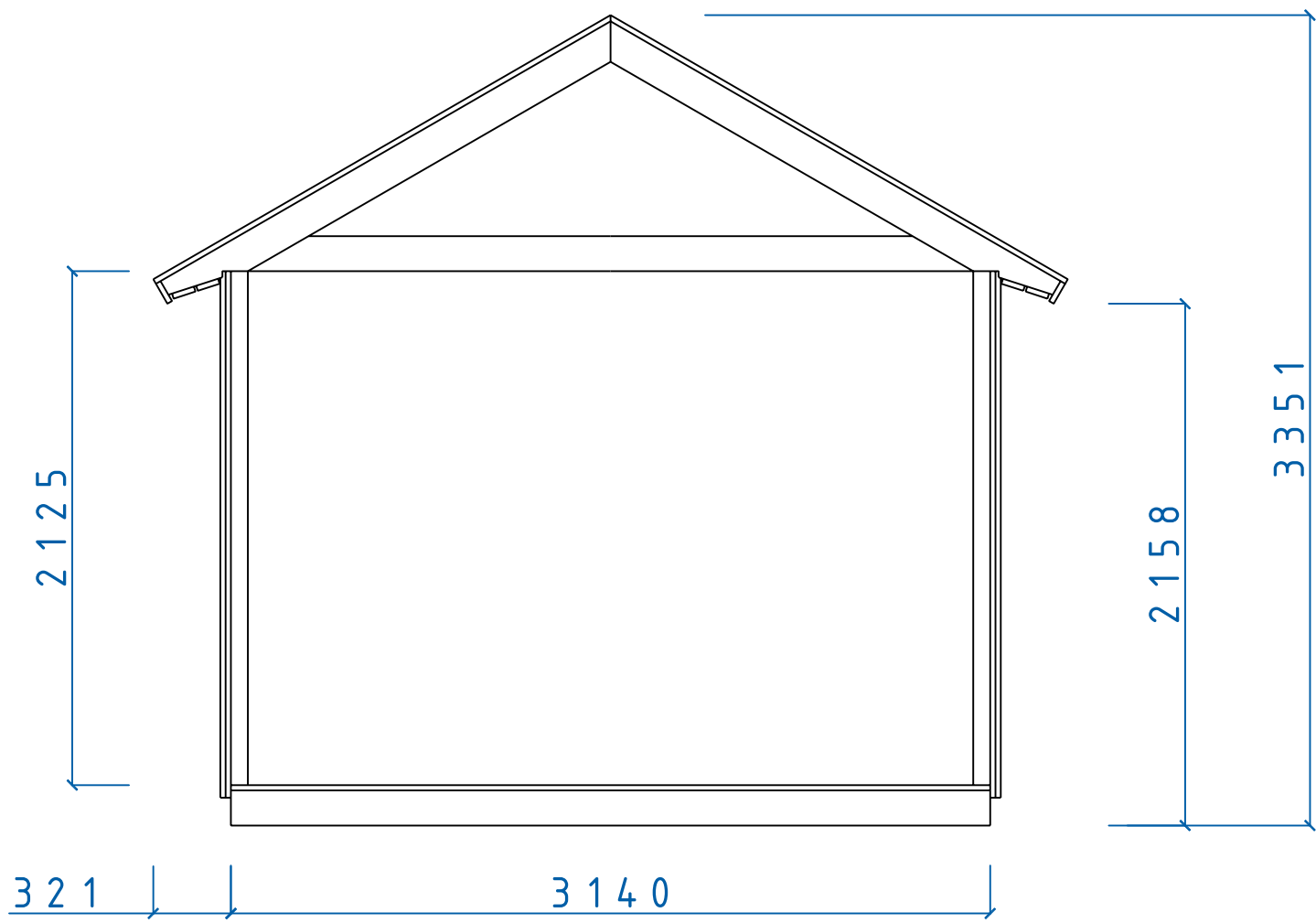
Christer Arnborg  
Tele: 0705-984050



REVISIONS				
ZONE	REV	DESCRIPTION	DATE	APPROVED

		MIDI SERIE		
		SMÅLAND PLAN		
SIZE	DATE	DWG NO.	REV	
	060403	05100765		
Fiskaregatan 11 871 39 Rörörsåsa		www.caboden.se 0611-21790	Christer Arberg Tele: 0705-984050	
SCALE	Designed by: SMÅLÄNNING		SHEET	

REVISIONS				
ZONE	REV	DESCRIPTION	DATE	APPROVED



		MIDI SERIE			
		MIDI SEKTION			
SIZE	DATE	DWG NO.	REV		
	060214	05100546			
Fiskaregatan 11 871 39 Rörörsåsa		www.caboden.se 0611-21790		Christen Arberg Tele: 0705-984050	
SCALE		Designed by: SMÅLÄNNING		SHEET	