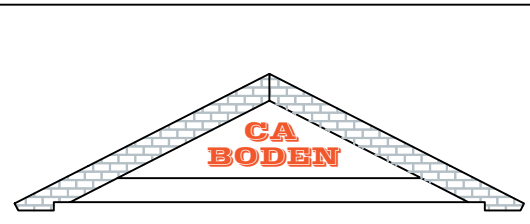
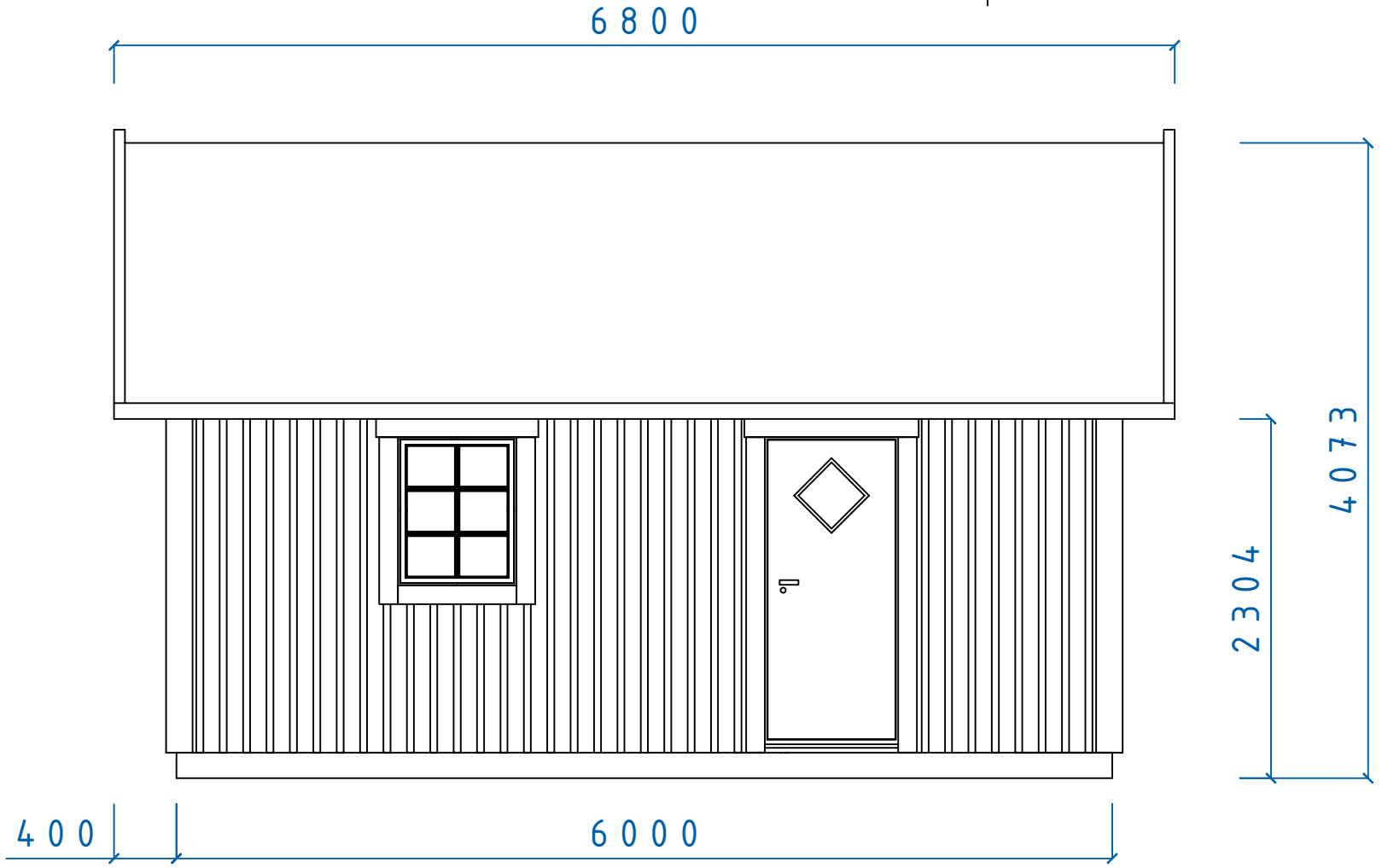
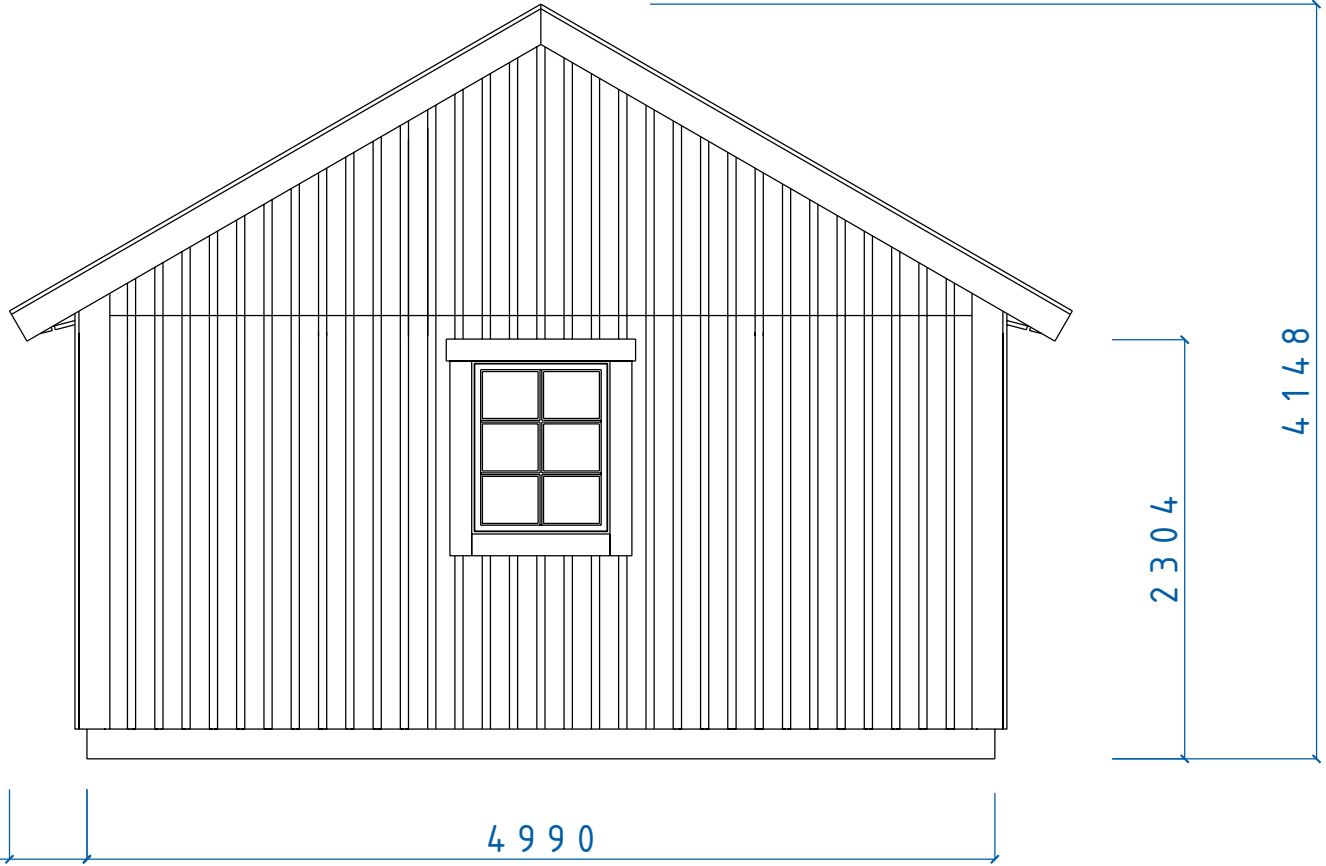


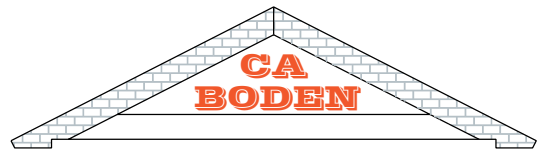
REVISIONS				
ZONE	REV	DESCRIPTION	DATE	APPROVED



MEGA SERIE			
STRÖMSHOLM FASAD			
F 8x10, D 9x20, TAK 30°			
SIZE	DATE	DWG NO.	REV
	060218	05100571	

REVISIONS				
ZONE	REV	DESCRIPTION	DATE	APPROVED



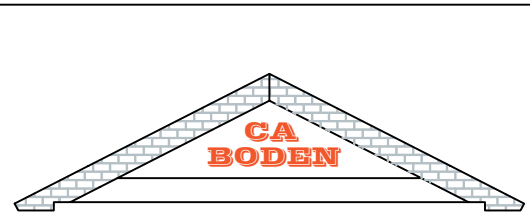
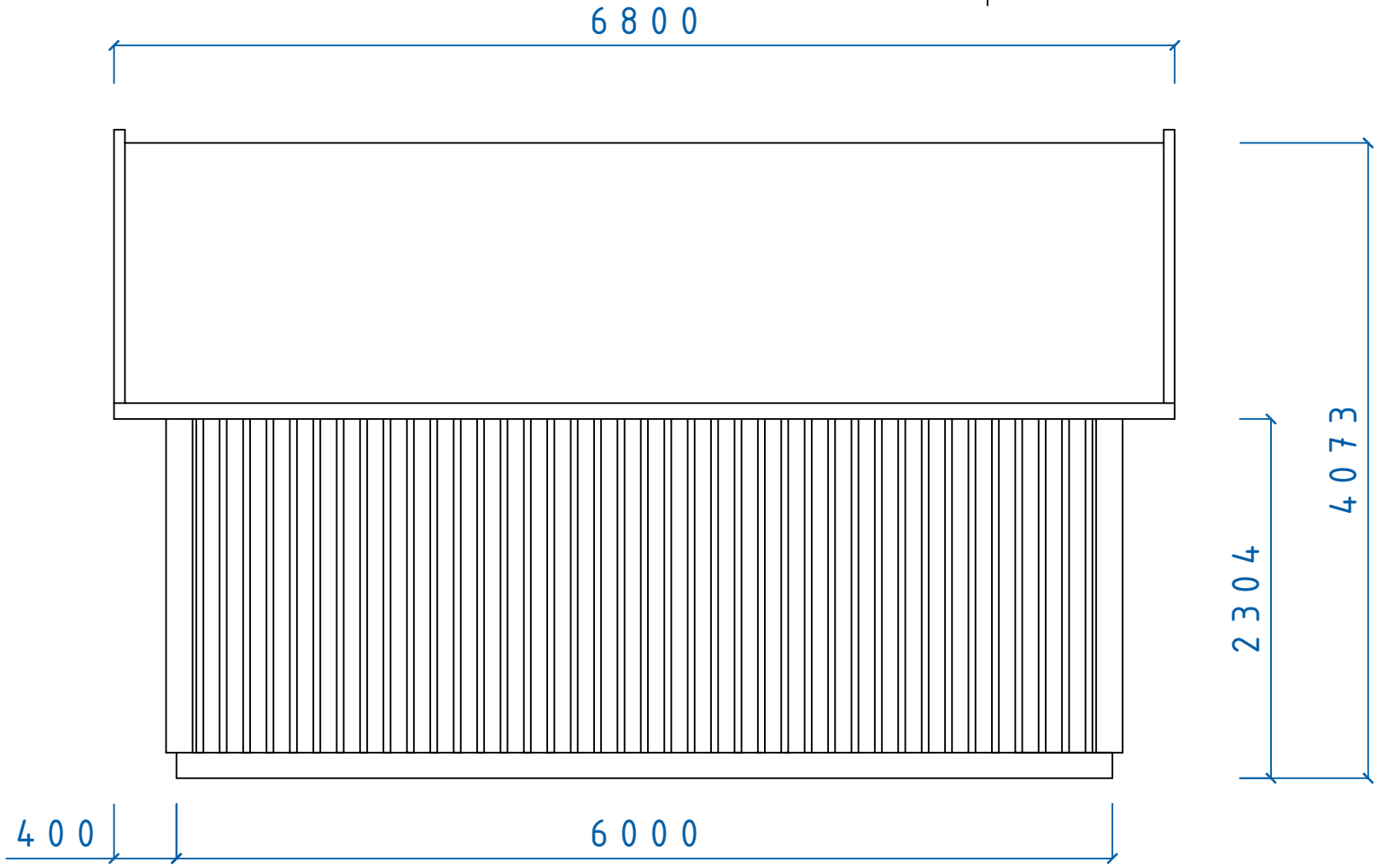
		MEGA SERIE		
		FASAD GAVEL FÖNSTER 8x10		
SIZE	DATE	DWG NO.	REV	
	060216	05100557		
SCALE	Designed by: SMÄLÄNNING		SHEET	

Fiskaregatan 11
871 39 Härnösand

www.cabodense
0611-21790

Christer Arnberg
Tete: 0705-984050

REVISIONS				
ZONE	REV	DESCRIPTION	DATE	APPROVED

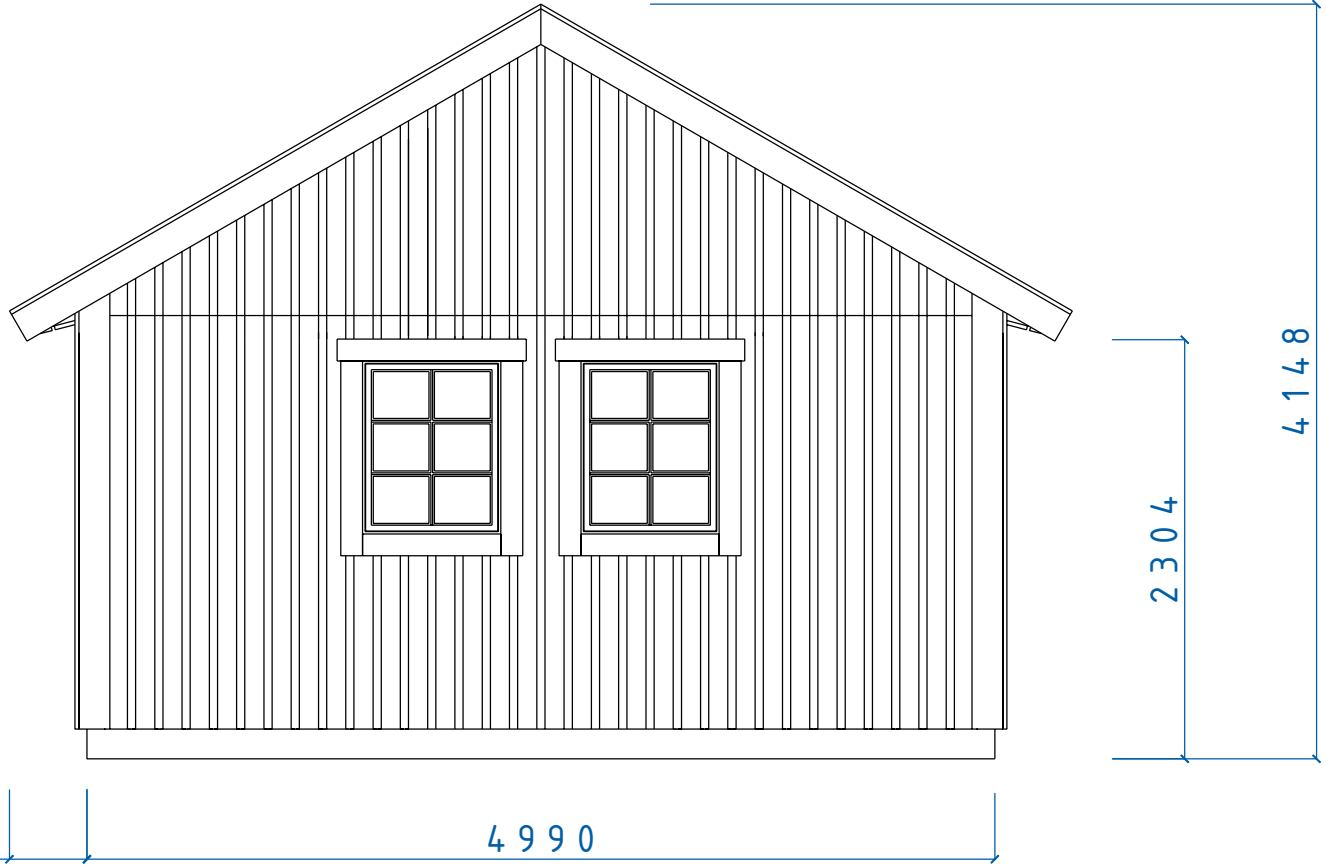


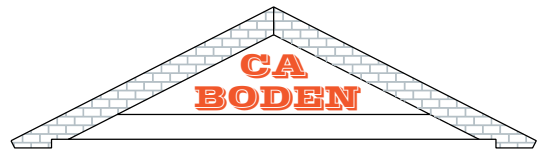
MEGA SERIE

STRÖMSHOLM FASAD
TAK 30°

SIZE	DATE	DWG NO.	REV
	060218	05100570	

REVISIONS				
ZONE	REV	DESCRIPTION	DATE	APPROVED



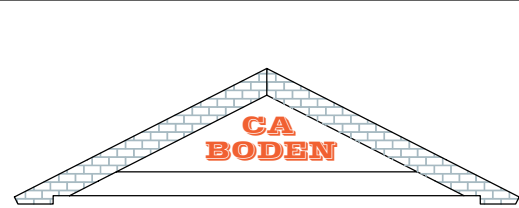
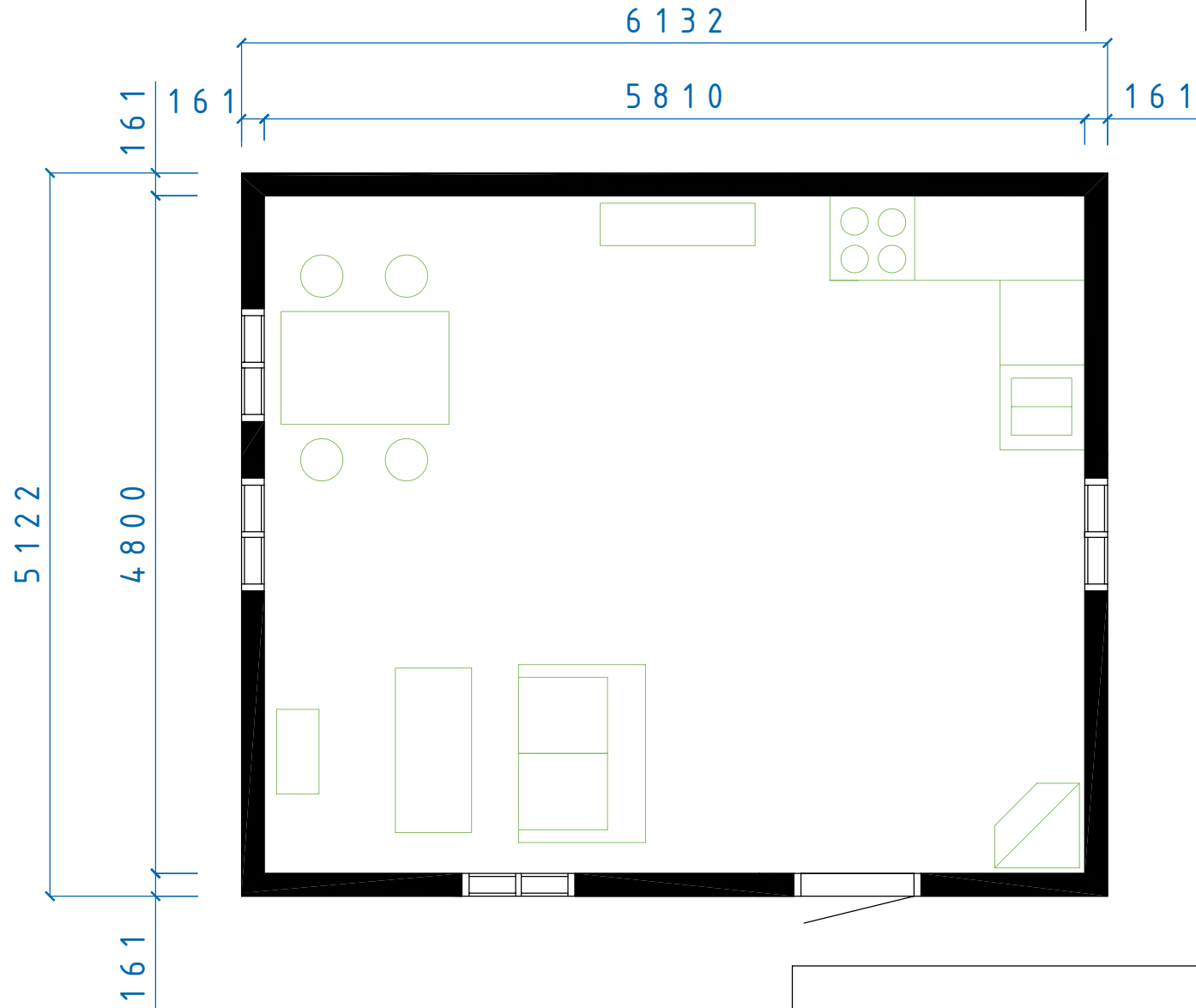
		MEGA SERIE		
		FASAD GAVEL FÖNSTER 8x10		
SIZE	DATE	DWG NO.	REV	
	060216	05100569		
SCALE	Designed by: SMÄLÄNNING		SHEET	

Fiskaregatan 11
871 39 Härnösand

www.cabodense
0611-21790

Christer Arnberg
Tete: 0705-984050

REVISIONS				
ZONE	REV	DESCRIPTION	DATE	APPROVED

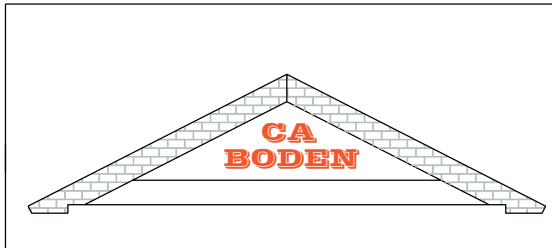
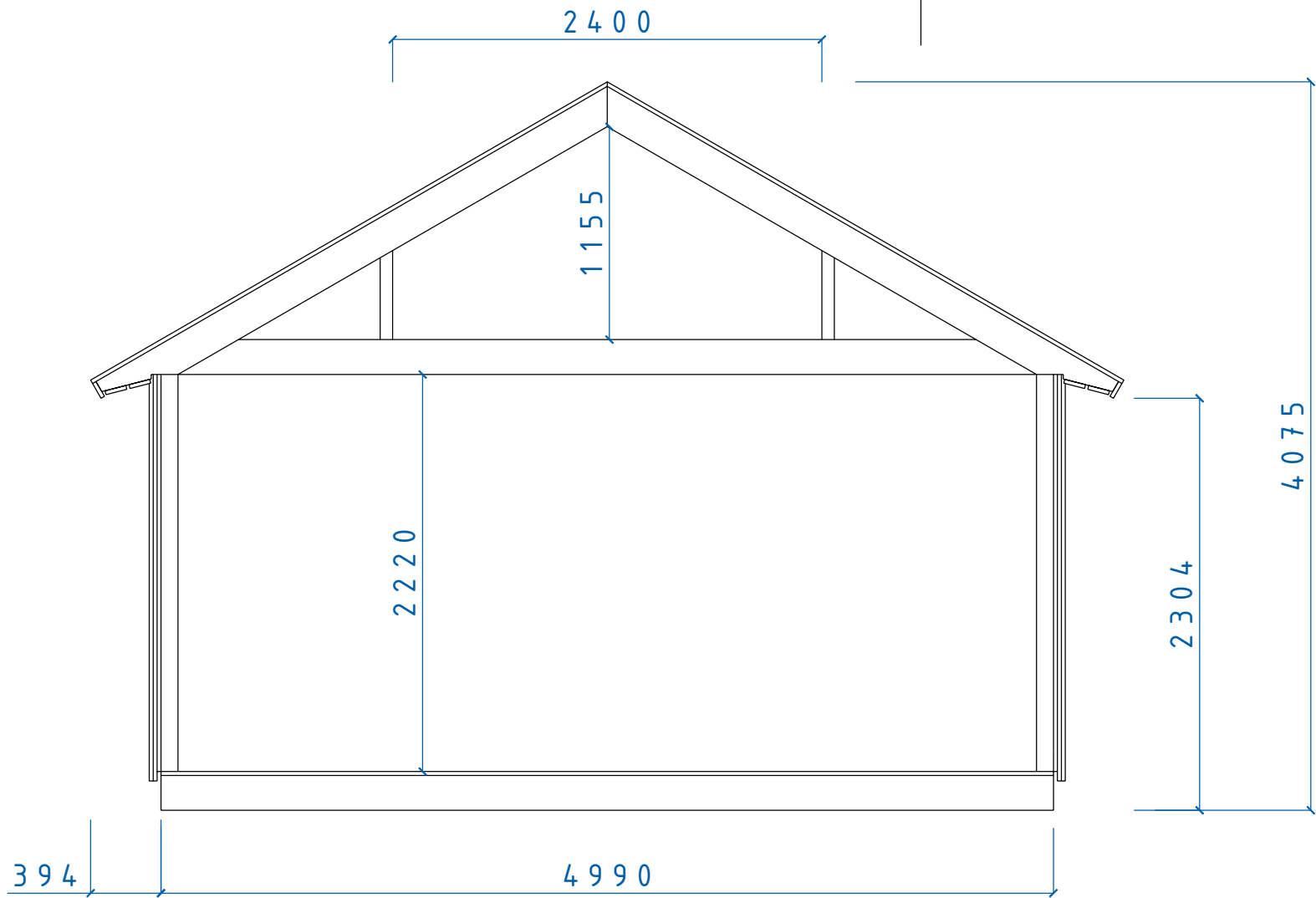


MEGA SERIE

STRÖMSHOLM
PLAN

SIZE	DATE	DWG NO.	REV
	060218	05100575	

REVISIONS				
ZONE	REV	DESCRIPTION	DATE	APPROVED



MEGA SERIE
SEKTION MEGA SERIEN
Tak 30° Sovloft

SIZE	DATE	DWG NO.	REV
	060204	05100451	