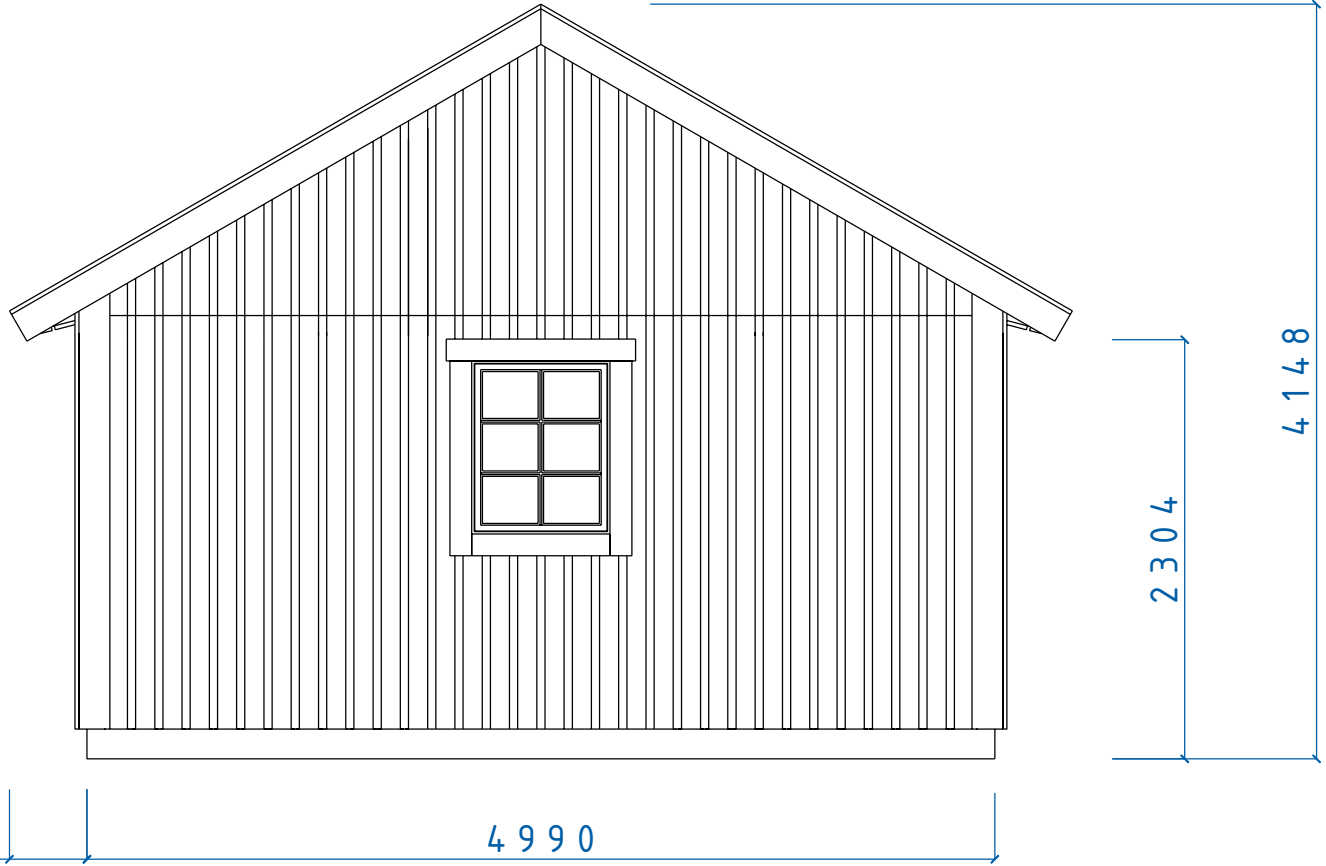


REVISIONS				
ZONE	REV	DESCRIPTION	DATE	APPROVED



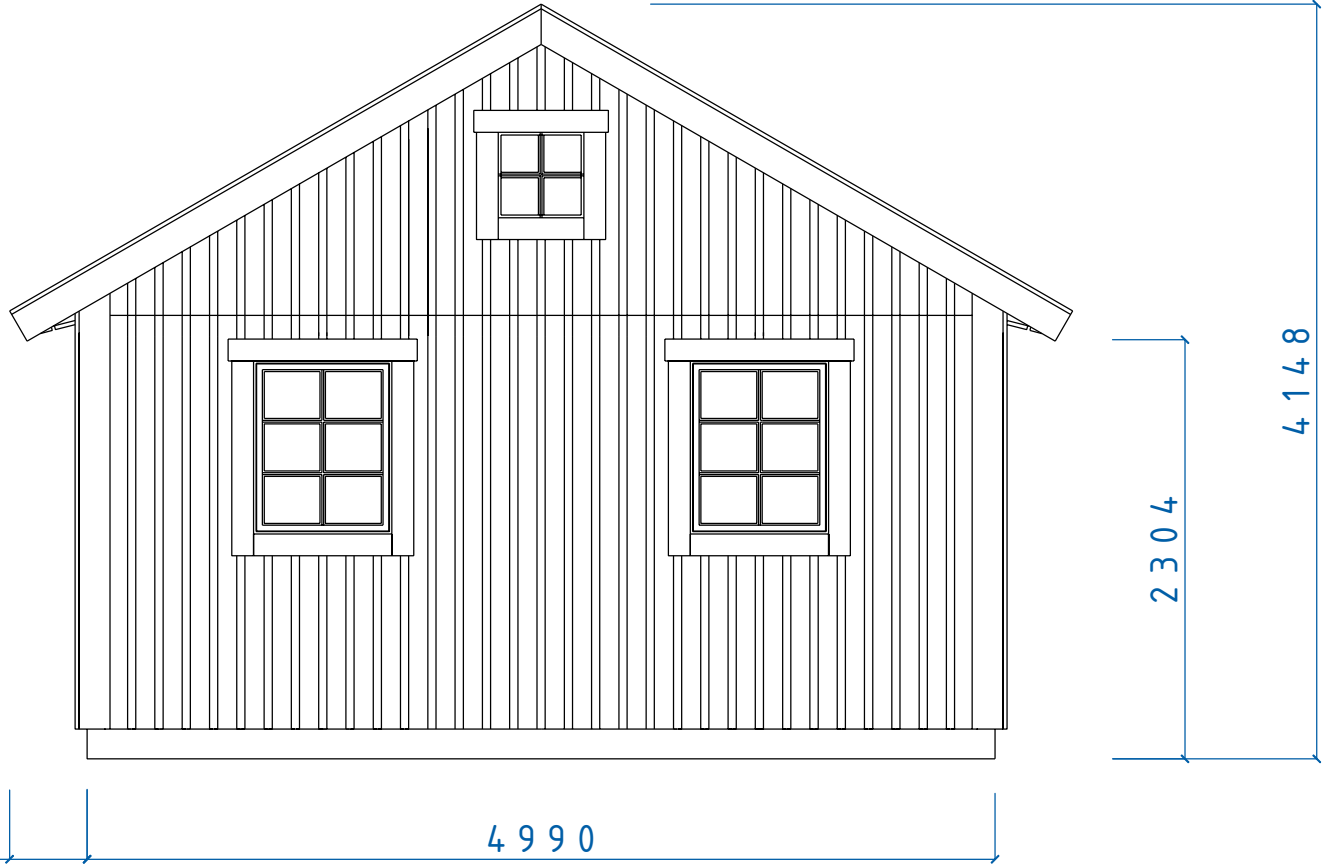
		MEGA SERIE		
		FASAD GAVEL FÖNSTER 8x10		
SIZE	DATE	DWG NO.	REV	
	060216	05100557		
SCALE	Designed by: SMÄLÄNNING		SHEET	

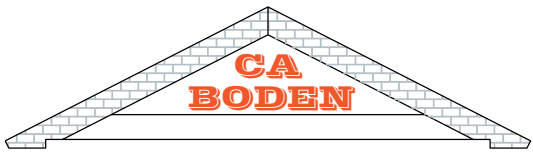
Fiskaregatan 11
871 39 Härnösand

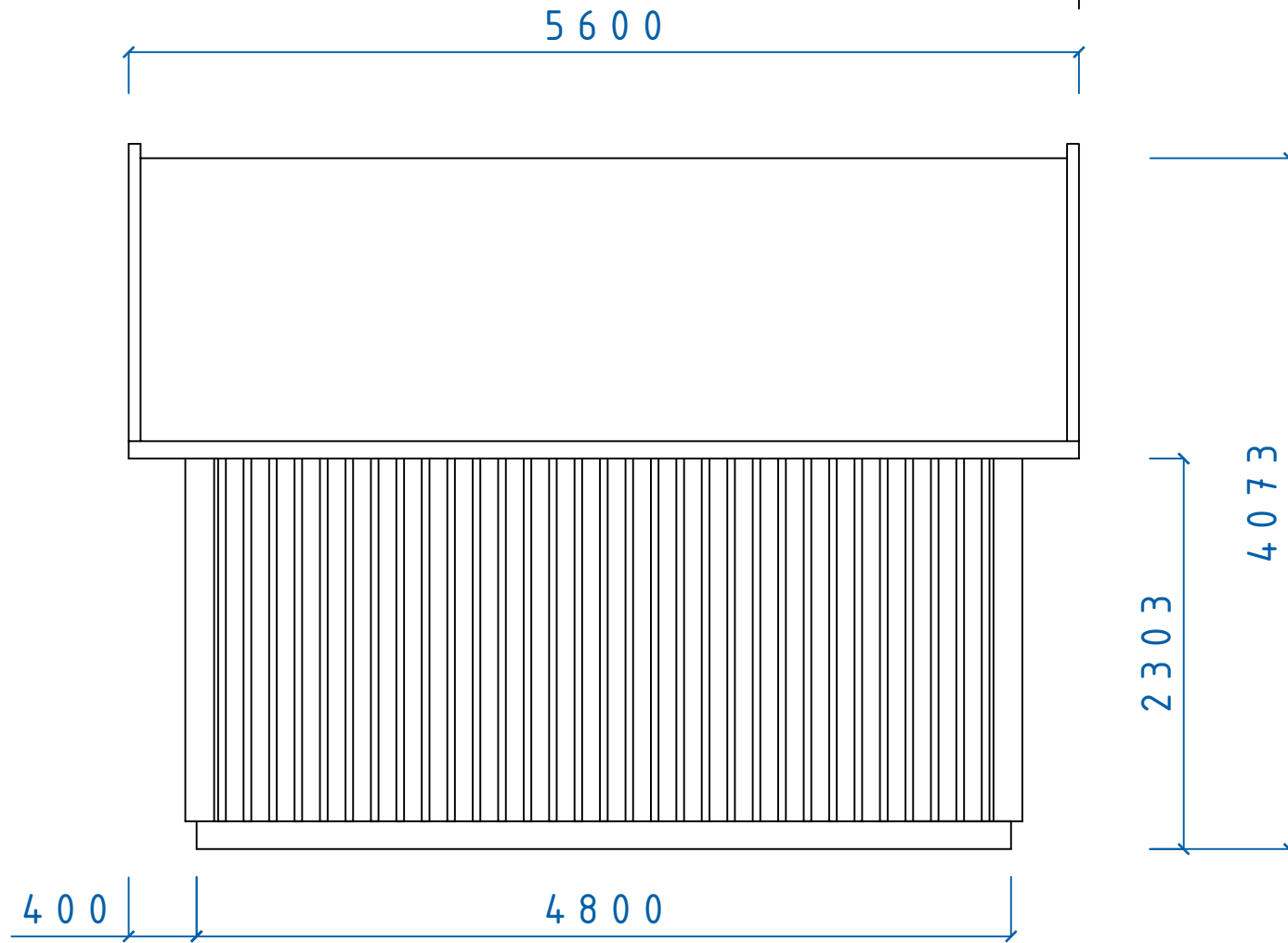
www.cabodense
0611-21790

Christer Arnberg
Tete: 0705-984050

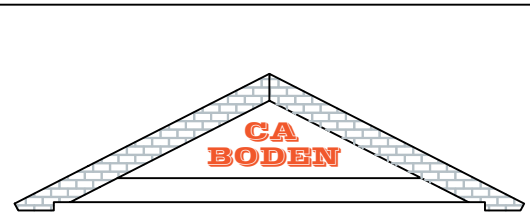
REVISIONS				
ZONE	REV	DESCRIPTION	DATE	APPROVED



		MEGA SERIE		
		FASAD GAVEL FÖNSTER 8x10 5x5		
SIZE	DATE	DWG NO.	REV	
	060517	05100567		
SCALE	Designed by: SMÄLÄNNING		SHEET	
Fiskaregatan 11 871 39 Hårnäsand	www.cabodense 0611-21790	Christer Arnborg Tele: 0705-984050		

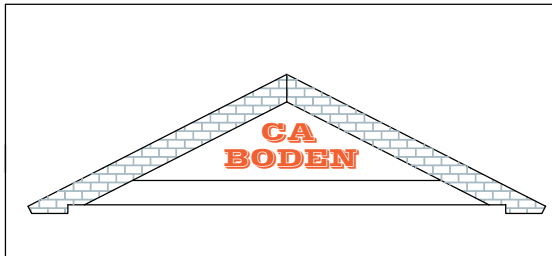
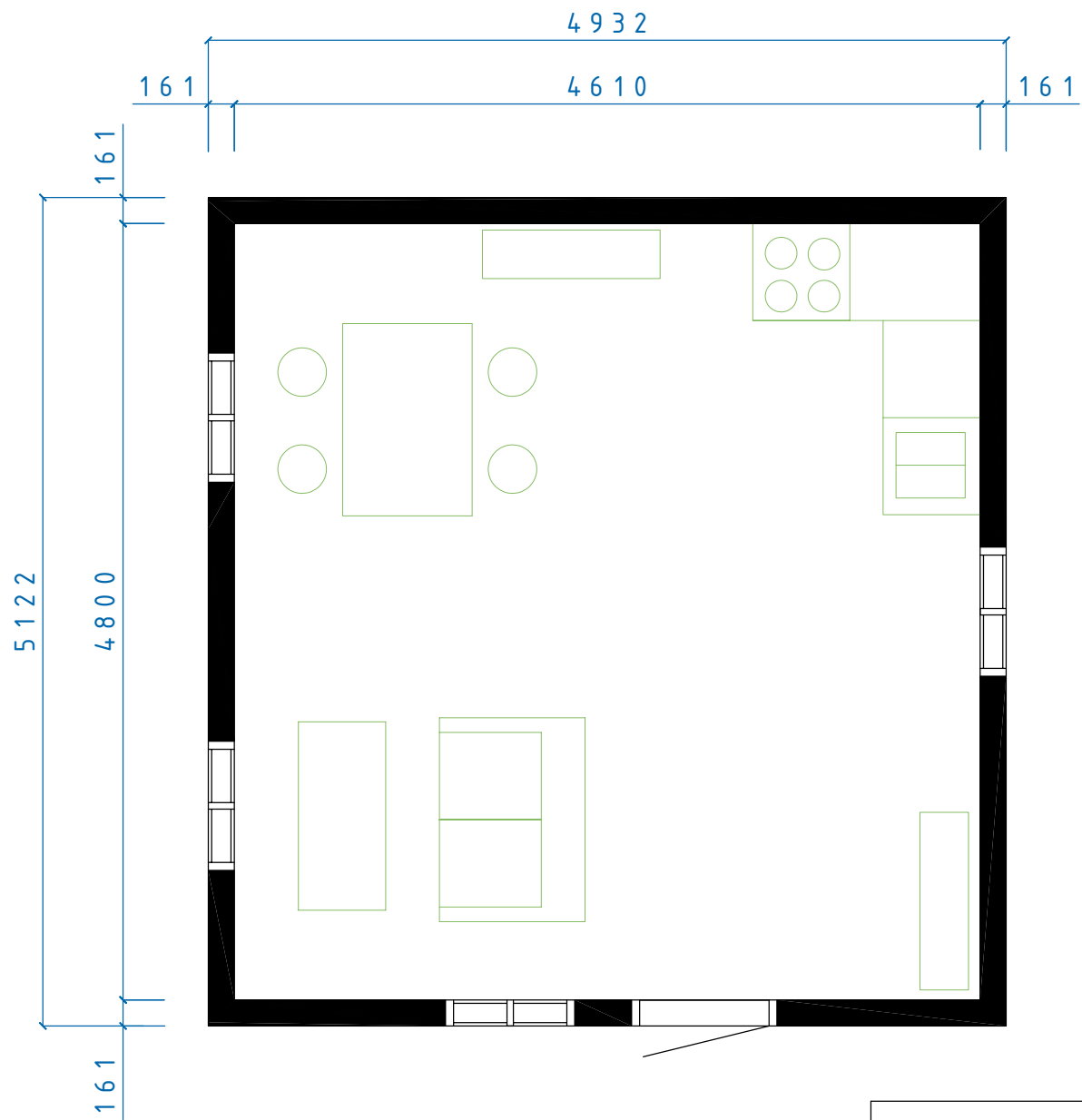


REVISIONS				
ZONE	REV	DESCRIPTION	DATE	APPROVED

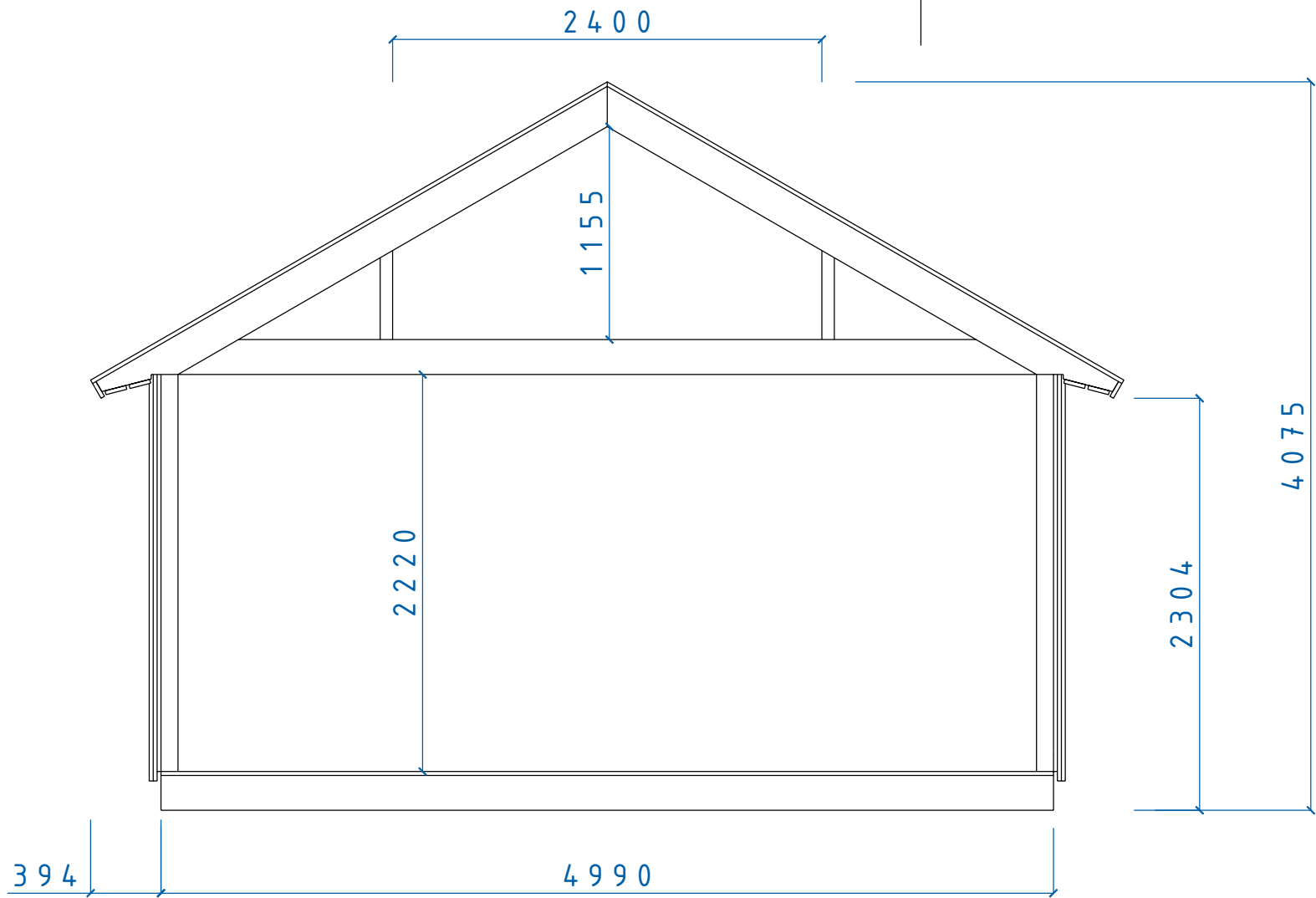


MEGA SERIE				
TJÖRN FASAD TAK 30°				
SIZE	DATE	DWG NO.	REV	
	060216	05100563		

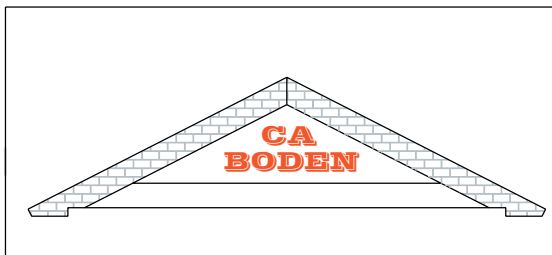
REVISIONS				
ZONE	REV	DESCRIPTION	DATE	APPROVED



MEGA SERIE			
TJÖRN PLAN			
SIZE	DATE	DWG NO.	REV
	060216	05100566	



REVISIONS				
ZONE	REV	DESCRIPTION	DATE	APPROVED



MEGA SERIE				
SEKTION MEGA SERIEN				
Tak 30° Sovloft				
SIZE	DATE	DWG NO.	REV	
	060204	05100451		